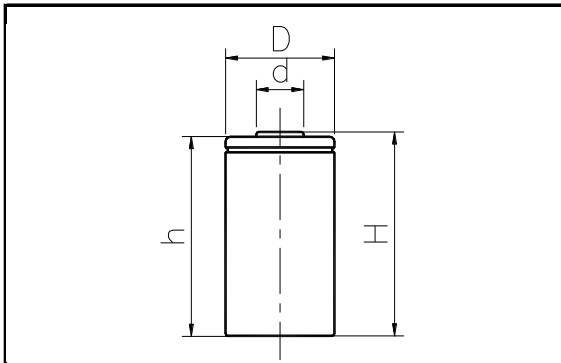


MODEL No: SC2000P

Description: 2000 mAh SIZE Ni-Cd SC

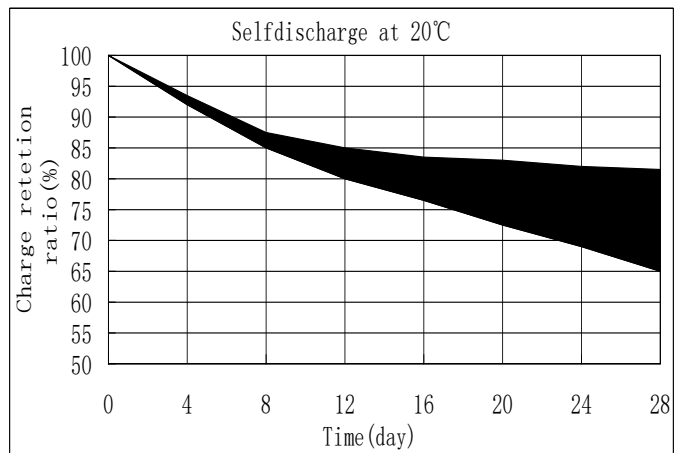
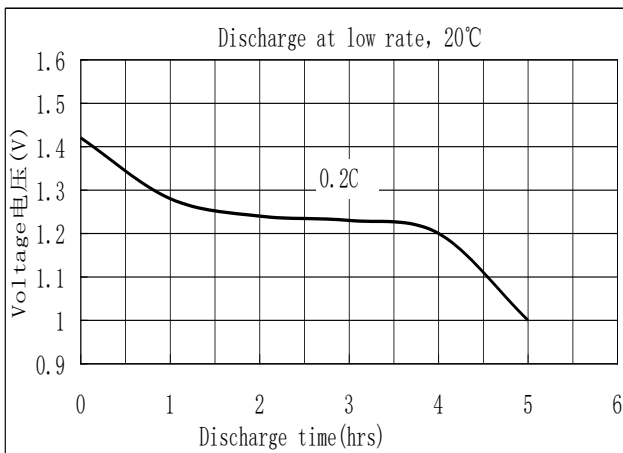
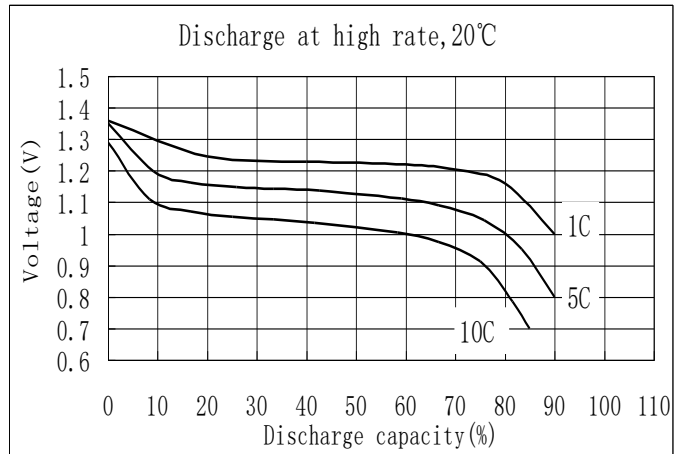
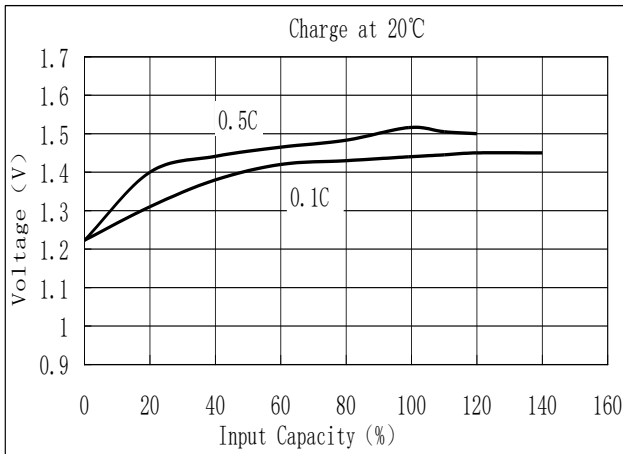


Dimensions(without Tube) (mm)

D	22.00 ± 0.10
d	10.00 ± 0.08
H	42.00 ± 0.50
h	41.50 ± 0.50

Specification

Nominal Capacity		2000 mAh	
Nominal Voltage		1,2 V	
Charge current	Standard	200 mA	
	Fast	1000 mA	
Charge time	Standard	14~16 Hrs	
	Fast	2,4 Hrs	
Ambient Temperature	Charge	Standard	0°C ~45°C
		Fast	10°C ~45°C
	Discharge		-30°C ~60°C
Storage		-20°C ~40°C	
Internal Impedance(mΩ) (After Charge)		≤ 12	
Weight		49 g	



We reserve the right to alter or amend the design,model and specification without prior notice.

