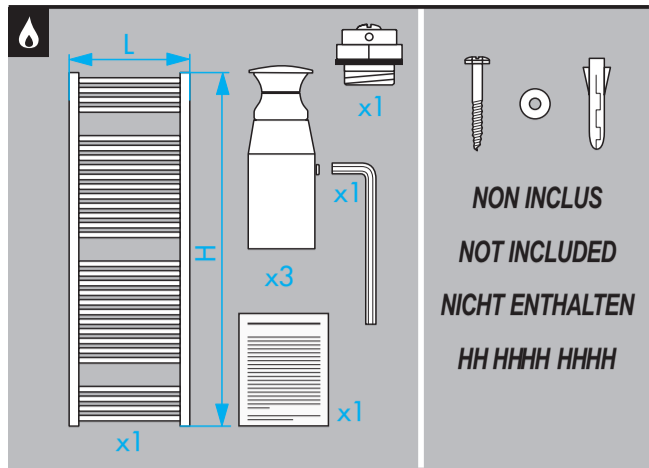
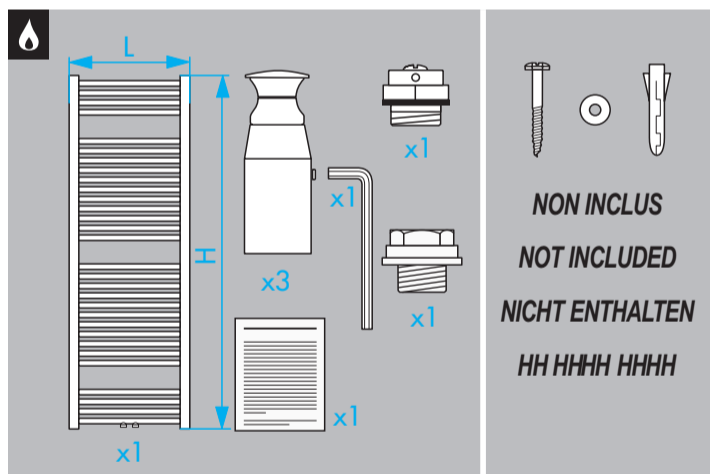
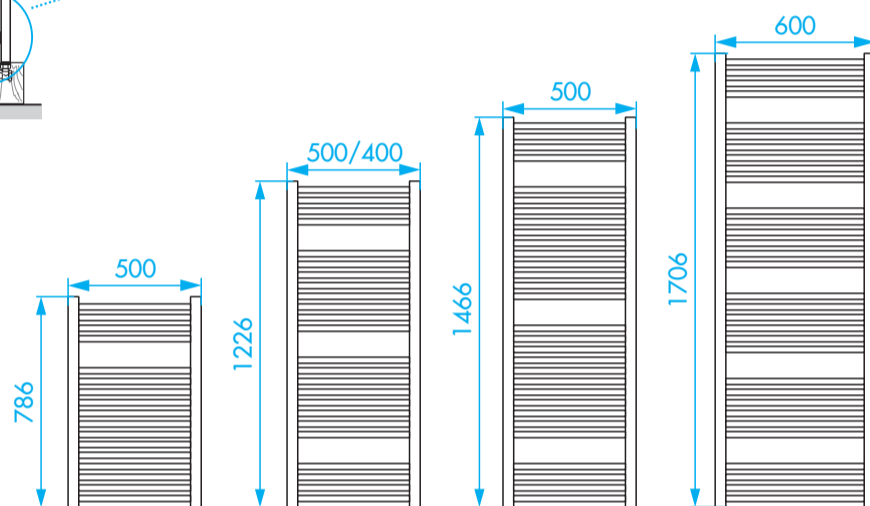
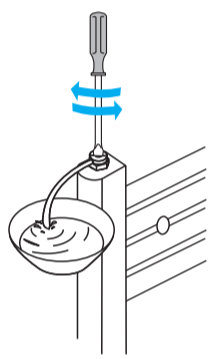
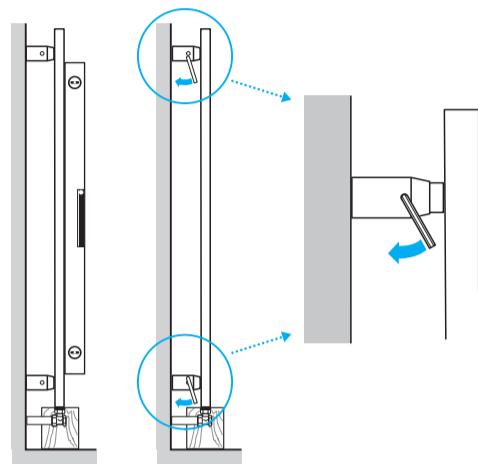
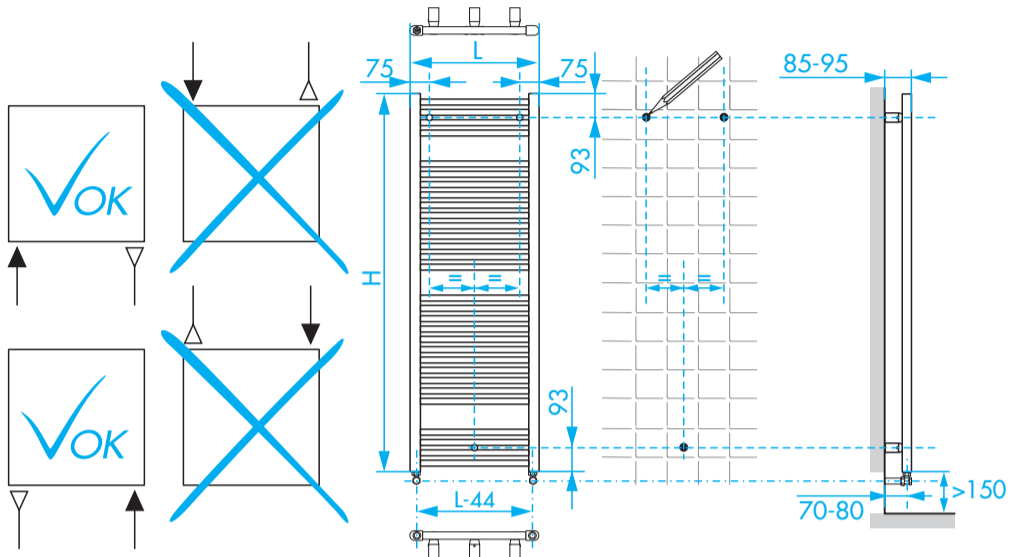
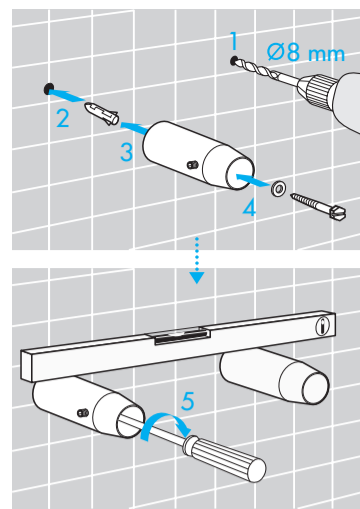
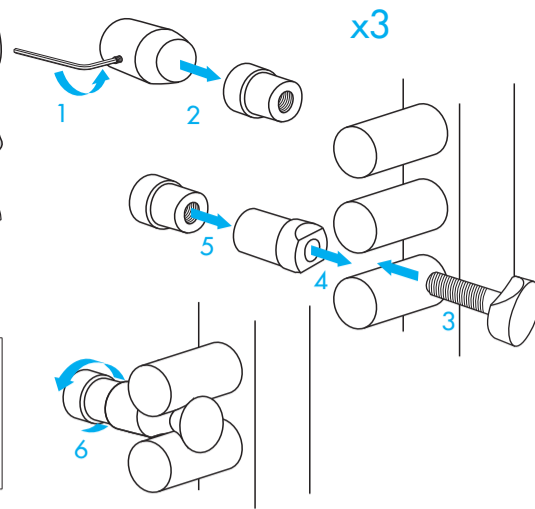
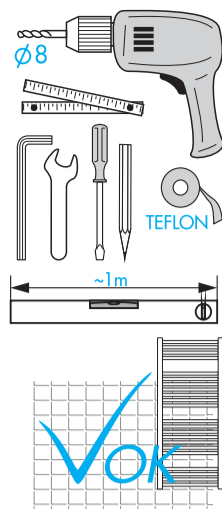
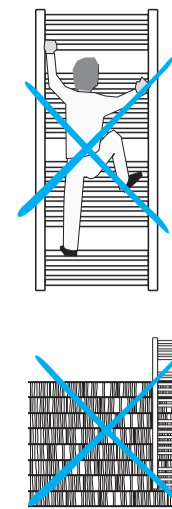


TYPE P50-A

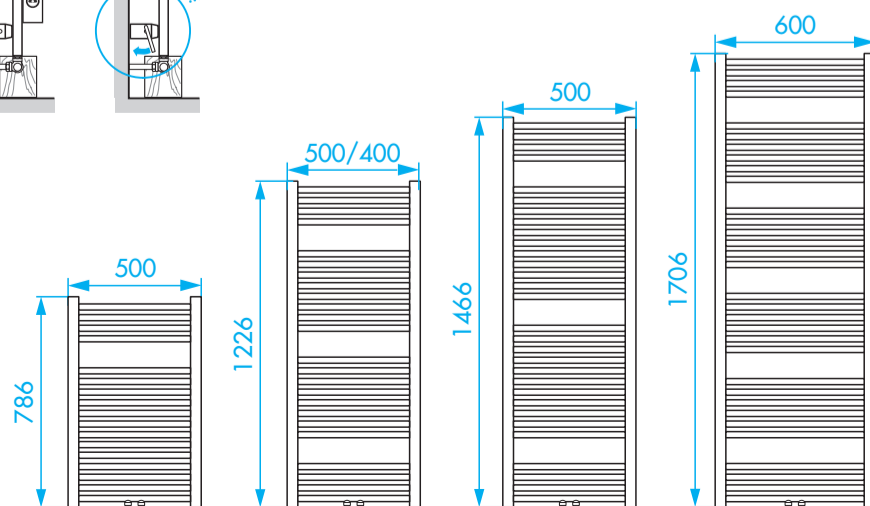
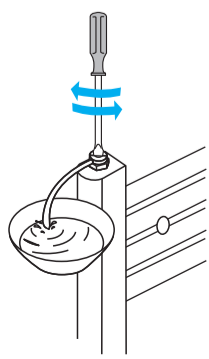
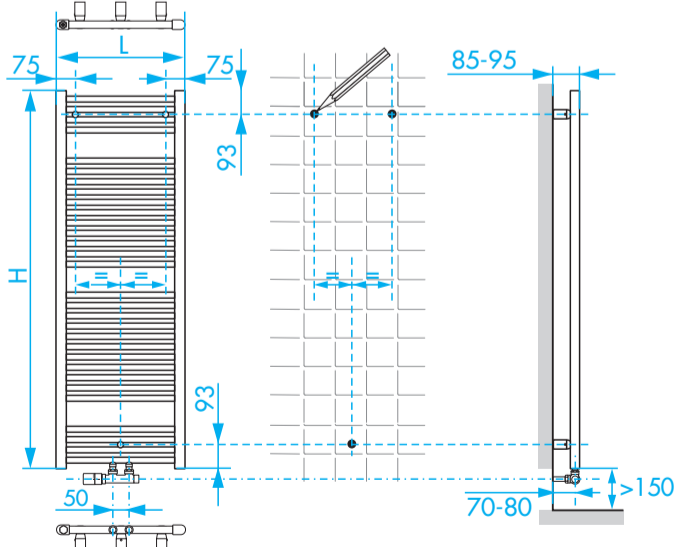
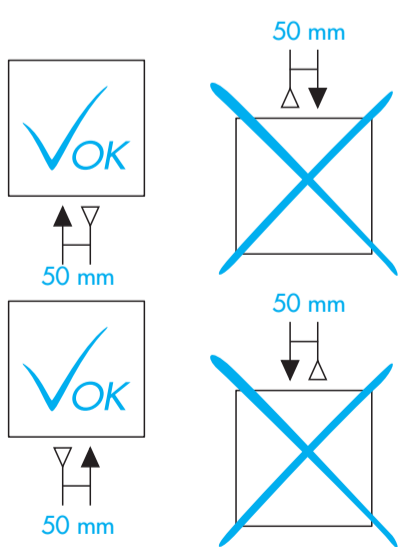
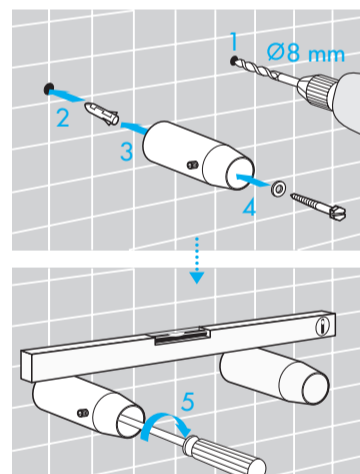
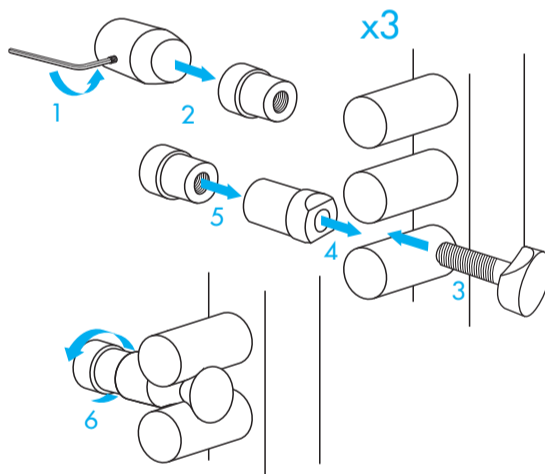
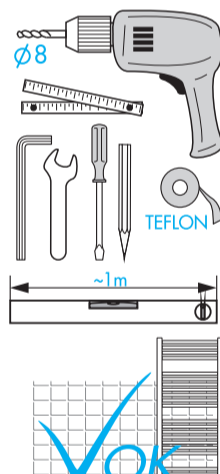
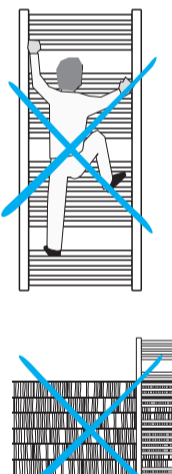


NON INCLUS
NOT INCLUDED
NICHT ENTHALTEN
HH HHHH HHHH

© Copyright by PBO 12/17 40015446



NON INCLUS
NOT INCLUDED
NICHT ENTHALTEN
HH HHHH HHHH



TYPE P50-AE

