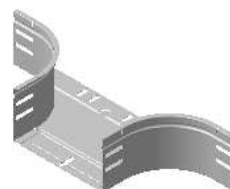
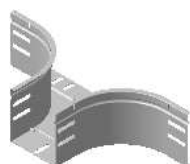
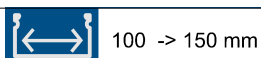


P31 - DERIVATION
P31 - BRANCH

 Reference(s) : **480530/31/32/33/34/35/36**
 Items(s) : **482439/41/45/46/98/99/500**

1. GAMME/RANGE
P31 - DERIVATION H100 GS
P31 - BRANCH H100 PG

Designation Description	Code	Poids Weight (Kg)	Épaisseur Thickness (mm)	Matière Raw Material	Norme matière Standard Raw Material	Finition Coating	Norme Finition Standard Coating	Section (mm ²)
P31 - DERIVATION 100x100 GS P31 - BRANCH 100X100 PG	480530	0,49	0,7	DX51D + Z200	EN 10346	GS/PG/Z	EN 10346	10193
P31 - DERIVATION 100x150 GS P31 - BRANCH 100X150 PG	480531	0,54	0,7	DX51D + Z200	EN 10346	GS/PG/Z	EN 10346	15258
P31 - DERIVATION 100x200 GS P31 - BRANCH 100X200 PG	480532	0,59	0,7	DX51D + Z200	EN 10346	GS/PG/Z	EN 10346	20323
P31 - DERIVATION 100x300 GS P31 - BRANCH 100X300 PG	480533	0,69	0,7	DX51D + Z200	EN 10346	GS/PG/Z	EN 10346	30453
P31 - DERIVATION 100x400 GS P31 - BRANCH 100X400 PG	480534	0,80	0,7	DX51D + Z200	EN 10346	GS/PG/Z	EN 10346	40583
P31 - DERIVATION 100x500 GS P31 - BRANCH 100X500 PG	480535	0,90	0,7	DX51D + Z200	EN 10346	GS/PG/Z	EN 10346	50713
P31 - DERIVATION 100x600 GS P31 - BRANCH 100X600 PG	480536	1,00	0,7	DX51D + Z200	EN 10346	GS/PG/Z	EN 10346	60843

 Classe de résistance contre la corrosion 3 (IEC 61537)
 Corrosion resistance classification 3 (IEC 61537)

P31 - DERIVATION H100 GC
P31 - BRANCH H100 HDG

Designation Description	Code	Poids Weight (Kg)	Épaisseur Thickness (mm)	Matière Raw Material	Norme matière Standard Raw Material	Finition Coating	Norme Finition Standard Coating	Section (mm ²)
P31 - DERIVATION 100x100 GC P31 - BRANCH 100X100 HDG	482439	0,54	0,7	DC01	EN 10130	GC/HDG/C	ISO 1461	10193
P31 - DERIVATION 100x150 GC P31 - BRANCH 100X150 HDG	482441	0,59	0,7	DC01	EN 10130	GC/HDG/C	ISO 1461	15258
P31 - DERIVATION 100x200 GC P31 - BRANCH 100X200 HDG	482445	0,65	0,7	DC01	EN 10130	GC/HDG/C	ISO 1461	20323
P31 - DERIVATION 100x300 GC P31 - BRANCH 100X300 HDG	482446	0,76	0,7	DC01	EN 10130	GC/HDG/C	ISO 1461	30453
P31 - DERIVATION 100x400 GC P31 - BRANCH 100X400 HDG	482498	0,88	0,7	DC01	EN 10130	GC/HDG/C	ISO 1461	40583
P31 - DERIVATION 100x500 GC P31 - BRANCH 100X500 HDG	482499	0,99	0,7	DC01	EN 10130	GC/HDG/C	ISO 1461	50713
P31 - DERIVATION 100x600 GC P31 - BRANCH 100X600 HDG	482500	1,10	0,7	DC01	EN 10130	GC/HDG/C	ISO 1461	60843

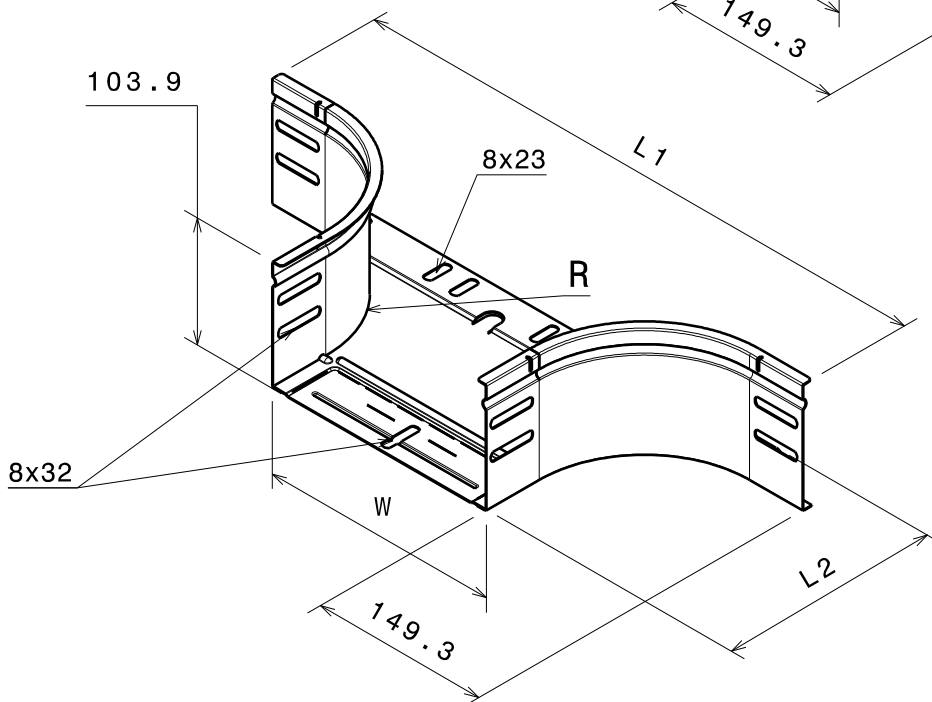
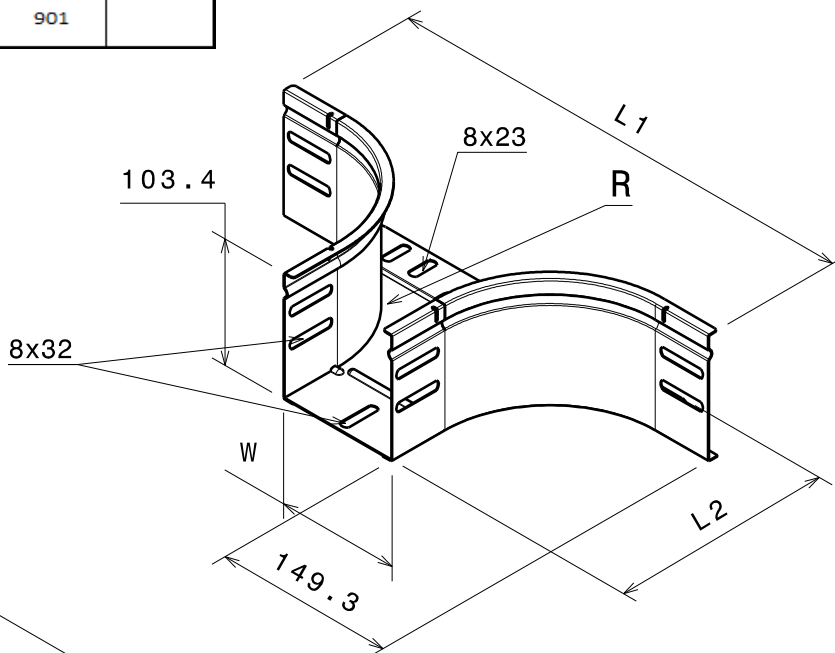
 Classe de résistance contre la corrosion 6 (IEC 61537)
 Corrosion resistance classification 6 (IEC 61537)

P31 - DERIVATION
P31 - BRANCH

Reference(s): **480530/31/32/33/34/35/36**
Item(s): **482439/41/45/46/98/99/500**




2. DIMENSIONS (mm)

Designation Description	Largeur Width (W mm)	Rayon Radius (mm)	L1 (mm)	L2 (mm)
P31 - DERIVATION W100 P31 - BRANCH W100	102,4	100	401	185
P31 - DERIVATION W150 P31 - BRANCH W150	152,4	100	451	
P31 - DERIVATION W200 P31 - BRANCH W200	202,4	100	501	
P31 - DERIVATION W300 P31 - BRANCH W300	302,4	100	601	
P31 - DERIVATION W400 P31 - BRANCH W400	402,4	100	701	
P31 - DERIVATION W500 P31 - BRANCH W500	502,4	100	801	
P31 - DERIVATION W600 P31 - BRANCH W600	602,4	100	901	




P31 - DERIVATION
P31 - BRANCH

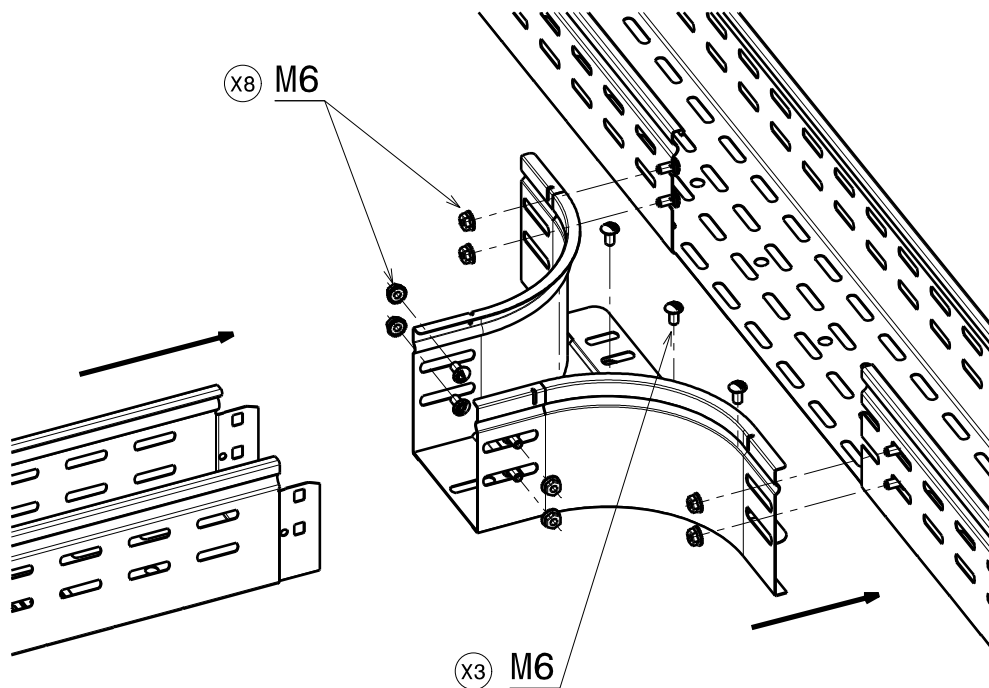
Reference(s): **480530/31/32/33/34/35/36**
Item(s): **482439/41/45/46/98/99/500**


	M6		11 Nm
	M6		

Reference(s): 341895 (PG)
Item(s): 346895 (AISI 316L)

3. INSTALLATION

 100 -> 150 mm



 200 -> 600 mm

Detail A

