

LC1D40...D95 / LC2D40...D95

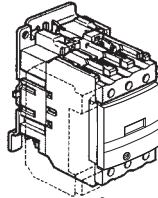
www.schneider-electric.com

Contacteurs / Contacteurs-inverseur
 Contactors / Reversing-contactors
 Schütze / Wendeschütze
 Contattori / Teleinvertitori

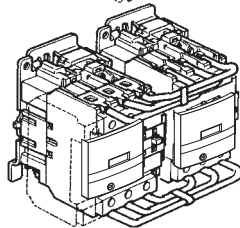
Contactores / Contactores-inversores
 Contactores / Contactores-inversores
 КОНТАКТОРЫ / РЕВЕРСИВНЫЕ КОНТАКТОРЫ
 接触器 / 换向接触器



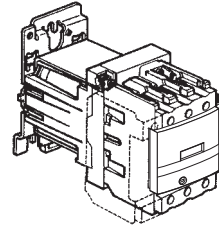
LC1D40
 LC1D50
 LC1D65
 LC1D80
 LC1D95



LC2D40
 LC2D50
 LC2D65
 LC2D80
 LC2D95



LC1D40
 LC1D50
 LC1D65
 LC1D80
 LC1D95



"For Motor Starting Use Schneider Electric Overload Relay Series LR".

⚠ ⚠ DANGER / DANGER / PELIGRO / GEFAHR / PERICOLO / PERIGO / ОПАСНО / 危險

HAZARD OF ELECTRIC SHOCK, EXPLOSION, OR ARC FLASH
 Disconnect all power before servicing equipment.
Failure to follow these instructions will result in death or serious injury.

RISQUE D'ÉLECTROCUTION, D'EXPLOSION OU D'ARC ÉLECTRIQUE
 Coupez toutes les alimentations avant de travailler sur cet appareil.
Le non-respect de ces instructions provoquera la mort ou des blessures graves.

PELIGRO DE DESCARGA ELÉCTRICA, EXPLOSIÓN O ARCO ELÉCTRICO
 Desconecte todas las alimentaciones antes de manipular el producto.
Si no se siguen estas instrucciones provocará lesiones graves o incluso la muerte.

GEFAHR VON ELEKTRISCHEM SCHLAG, EXPLOSION ODER LICHTBOGEN
 Vor dem Arbeiten am Gerät alle Spannungsversorgungen abschalten.
Die Nichtbeachtung dieser Anweisungen führt zu Tod oder schwerer Körperverletzung.

RISCHIO DI SCARICA ELETTRICA, ESPLOSIONE O ARCO ELETTRICO
 Scollegare l'apparecchio da tutti i circuiti di alimentazione prima di qualsiasi intervento.
Il mancato rispetto di queste istruzioni provocherà morte o gravi infortuni.

RISCO DE ELECTROCUSSÃO, DE EXPLOÇÃO, OU DE ARCO ELÉCTRICO
 Desconecte todas as alimentações antes de manipular o produto.
A não observância destas instruções resultará em morte, ou ferimentos graves.

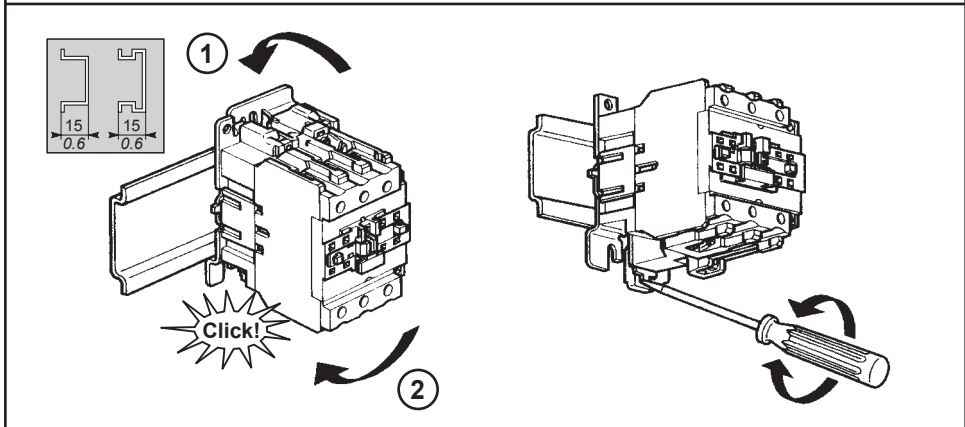
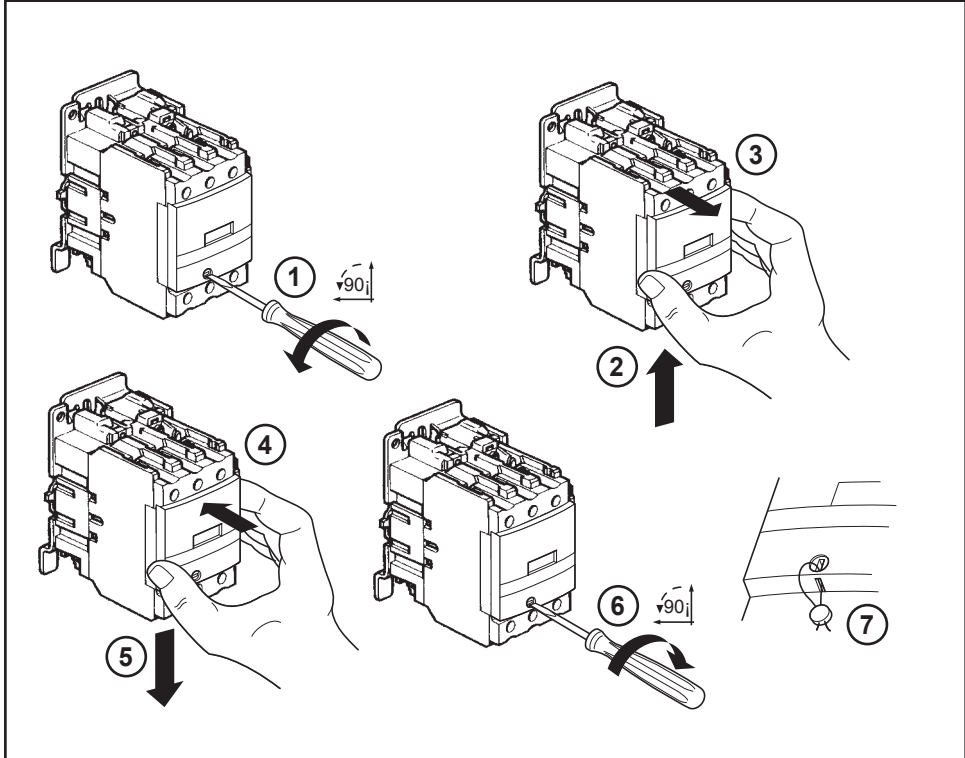
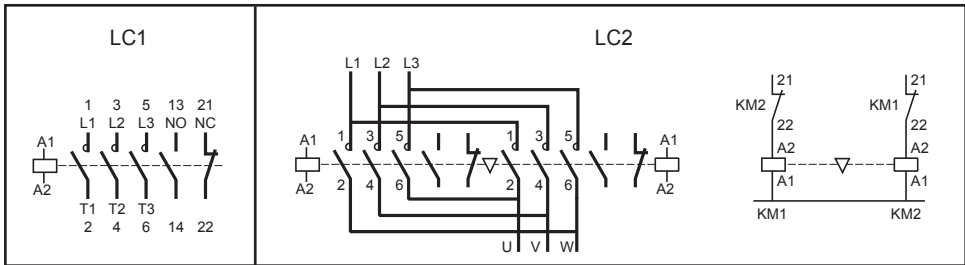
Опасность поражением электрическим током, опасность взрыва или вспышки дуги.
 Перед обслуживанием или ремонтом убедитесь, что питание отключено.
Несоблюдение этих инструкций приведет к смерти или серьезной травме.

可能有触电、爆炸或者电弧灼伤的危险
 在此电力设备上工作进行时
 请先切断所有电源。
 若违背这些说明，
 则可能会导致严重的人身伤害甚至死亡

⚠ WARNING

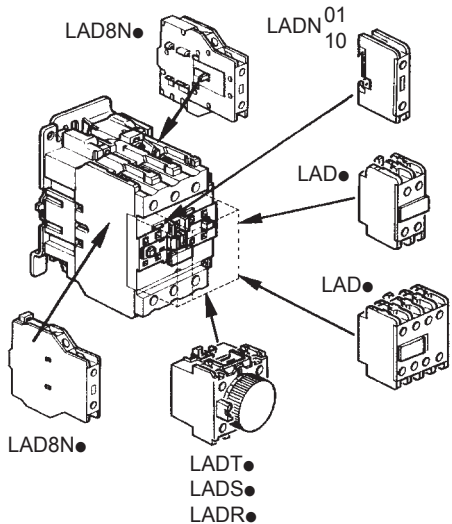
RISK OF FIRE OR ELECTRIC SHOCK (FOR CONTACTOR WITH UL HI-FAULT SHORT CIRCUIT CURRENT RATINGS ONLY)

The opening of the branch-circuit protective device may be an indication that a fault current has been interrupted. To reduce the risk of fire or electric shock, current-carrying parts and the other components of the controller should be examined and replaced if damaged.
Failure to follow these instructions can result in death, serious injury, or equipment damage.



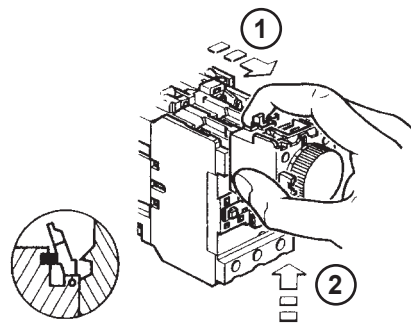
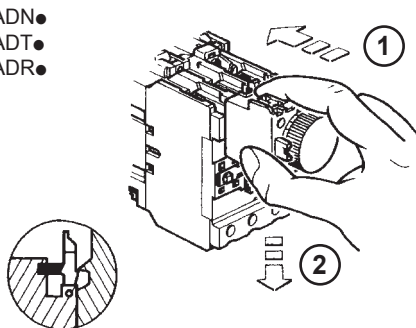
Additifs
 Adder blocks
 Hilfsschalterblöcke aufrastbar
 Additivi

Aditivos
 Aditivos
 Блоки суммирования
 加法器块

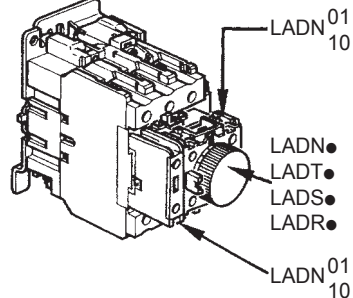
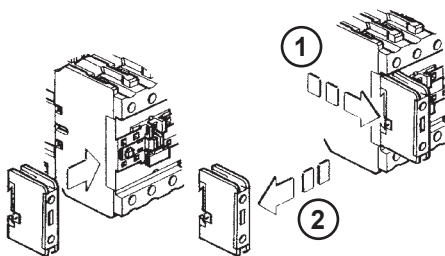


- | | |
|-----------------------|---------------------|
| 1 "F" | LADN10 |
| 1 "O" | LADN01 |
| 1 "F" + 1 "O" | LADN11 |
| 2 "F" | LADN20 |
| 2 "O" | LADN02 |
| 2 "F" + 2 "O" | LADN22 |
| 1 "F" + 3 "O" | LADN13 |
| 4 "F" | LADN40 |
| 4 "O" | LADN04 |
| 3 "F" + 1 "O" | LADN31 |
| 2 "F" + 2 "O" | LADC22 |
| 2 "F" | LA1DX20 (See page7) |
| 2 "F" + 2 "F" | LA1DZ40 (See page7) |
| 1 "F" + 1 "O" + 2 "F" | LA1DZ31 (See page7) |
| 2 "F" | LA1DY20 (See page7) |
| 0,1...3 s | LADT0 |
| 0,1...30 s | LADT2 |
| 1...30 s | LADS2 |
| 10...180 s | LADT4 |
| 0,1...3 s | LADR0 |
| 0,1...30 s | LADR2 |
| 10...180 s | LADR4 |
| 1 "F" + 1 "O" | LAD8N11 (See page8) |
| 2 "F" | LAD8N20 (See page8) |

LADN●
 LADT●
 LADR●

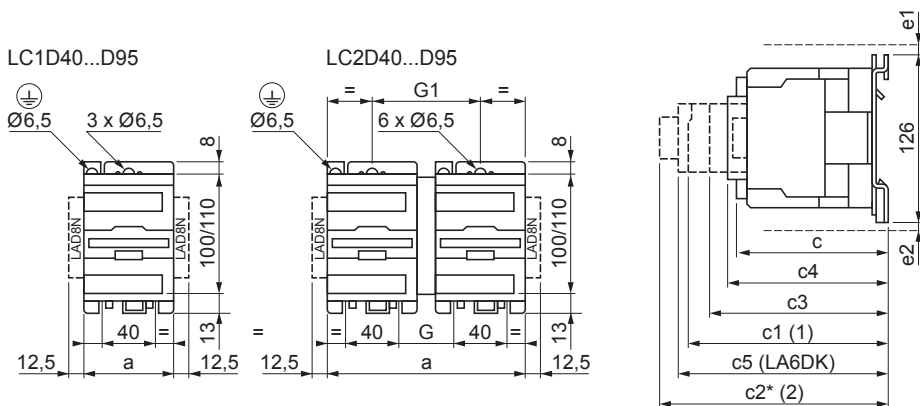


LADN⁰¹₁₀



Encombremets/bobines
Dimensions/coils
Abmessungen/Spulen
Dimensioni d'incombro/bobine

Dimensiones/bobinas
Atravancamentos/bobinas
Габариты/катушки
尺寸/线圈



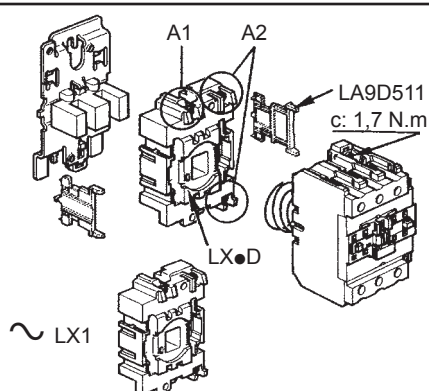
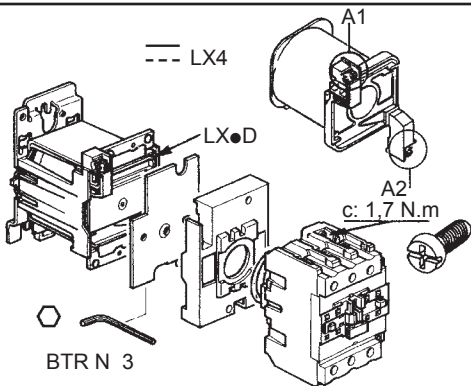
(mm)	3P a
LC1D40...D65	75
LC1D80...D95	85
LC2D40...D65	165
LC2D80...D95	182

(mm)	3P				
	e1	e2	c3	G	G1
LC2D40...D65	5	11	142	50	90
LC2D80...D95	13	20	158	57	96

(mm)	3P				
	c	c4	c1	c5	c2*
~ LC•D40...D65	114	116	146	157	165
~ LC•D80...D95	125	127	153	165	176
--- LC1D40...D65	171	173	202	213	221
--- LC1D80...D95	181	183	210	221	229

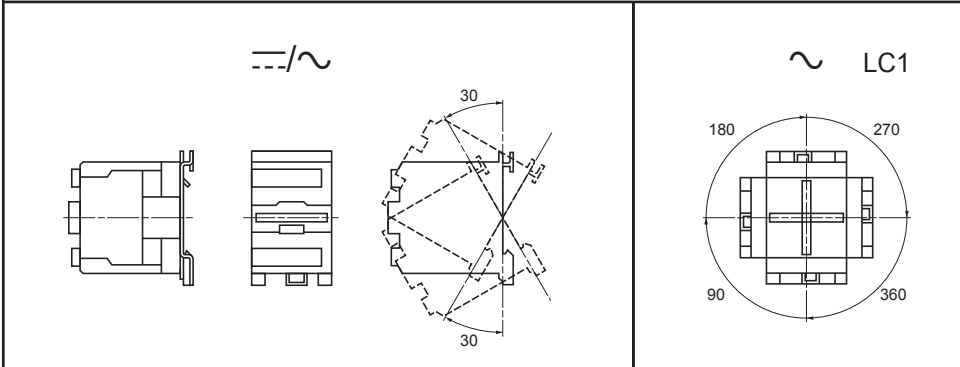
(1) LADN, LADC
(2) LADR, LADT, LADS

* + 4 mm (LA9D901)
1 inch = 25,4 mm

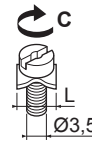


Positions de fonctionnement
 Operating positions
 Befestigungslage
 Posizioni di funzionamento

Posiciones de funcionamiento
 Posições de funcionamento
 Рабочие положения
 操作位置

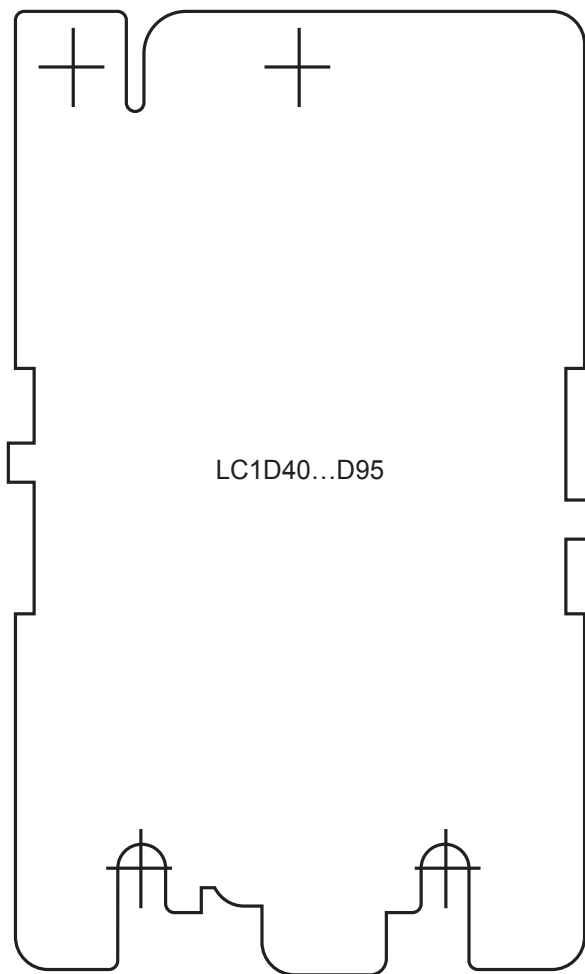


Raccordement Mini ... Maxi
 Wiring Min ... Max
 Anschlüsse Min ... Max
 Connesione Min ... Max
 Capacidad de conexión Min ... Max
 Ligaçao Mín ... Máx
 Проводка Мин...макс
 接线最小 ... 最大



LC1 LC2									L			C N.m
	(mm ²)	(mm ²)	(mm ²)	(mm ²)	(mm ²)	(mm ²)	(mm)	(mm)	Philips			
D40	1...2,5	1...2,5 +	1...4	1...4 +	1...4	1...4 +	8	7,5	Ø 6	2	1,2	
D50	2,5 : 25	2,5...10 +	2,5	2,5...16 +	2,5	2,5...16 +		-	Ø 6		5	
D65		2,5...10	25	2,5...16	25	2,5...16			Ø 8			
D80	1...2,5	1...2,5 +	1...4	1...4 +	1...4	1...4 +	8	7,5	Ø 6	2	1,2	
D95	4 : 50	4...16 +	4	4...25 +	4	6...25 +	4	-	Ø 6		9	
LXD	1...2,5	1...2,5 +	1...4	1...4 +	1...4	1...4 +	8	7,5	Ø 6	2	1,2	
LAD		1...2,5	1...4	1...4	1...4	1...4						

Gabarit de perçage
Drilling template
Bohrschablone
Maschera di foratura
Guia de taladrado
Gabarito de furação
Шаблон для сверления
钻孔模板

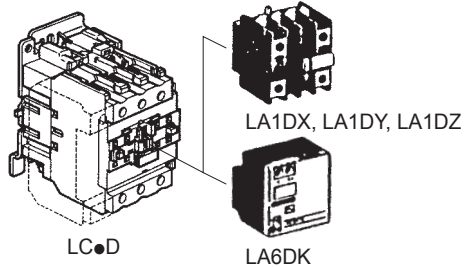


Les autres additifs
Others adder blocks
Hilfsschalterblöcke seitlicher Anbau
Gli altri additivi

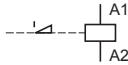
Los otros aditivos
Os outros aditivos
Другие блоки суммирования
加法器块

• **LA1DX●●, LA1DY●●, LA1DZ●●**

Environnement polluant
Environnement pollution
Für verschmutzte Umgebung
Ambienti polverosi
Ambiente polvoriento
Ambiente poluído
Загрязнение окружающей среды
环境污染

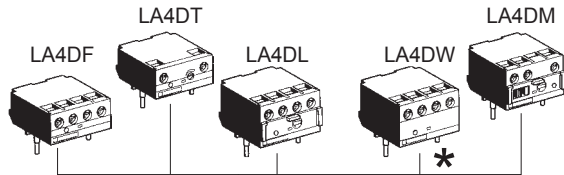


• **LA6DK**



• **LA4DF, LA4DW, LA4DL**

Modules d'interface
Interface modules
Interface - Module
Moduli d'interfaccia
Modulos interface
Módulos de interface
Интерфейсные модули
接口模块

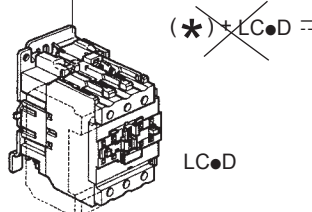


• **LA4DM**

"Auto O Man"

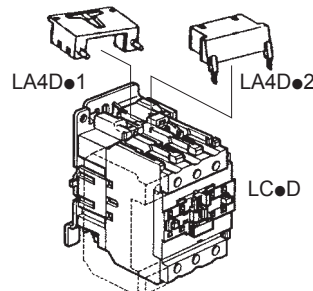
• **LA4DT**

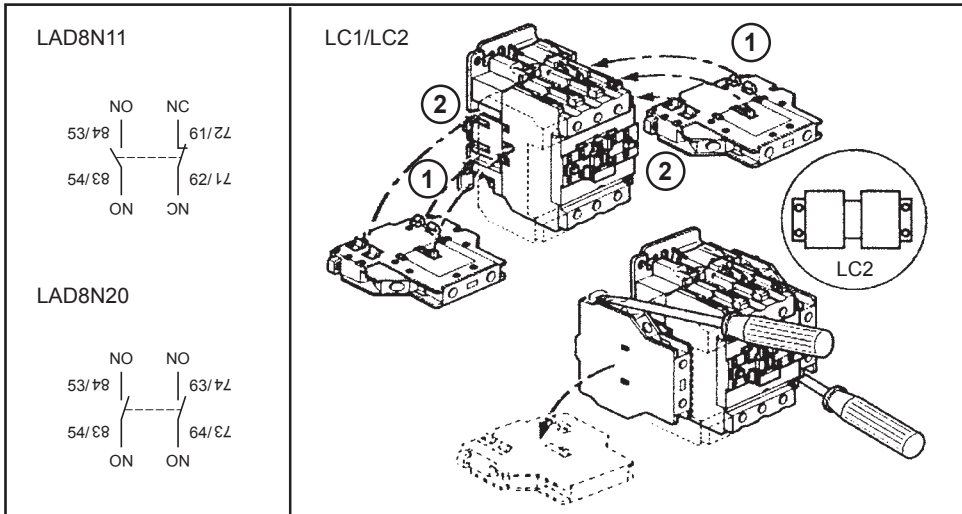
Retard à l'excitation ou à la désexcitation bobine
Delay on coil energisation or desenergisation
Verzögerungsblöcke Ansprech, Rückfallver-zögert
Ritardo all'eccitazione o alla diseccitazione bobina
Retraso a la conexión o a la desconexión de la bobina
Atraso á excitação ou á desexcitação da bobina
Задержка возбуждения или снятия возбуждения катушки
线圈通电或断电延迟



• **LA4DA●, LA4DB●, LA4DC●, LA4DE●**

Antiparasites
Coil suppressor
Überspannungsbegrenzer
Antiparassiti
Antiparasitarios
Antiparasitas
Устройство защиты от перегрузок катушки
线圈抑制器





	LC1/LC2	Un	LADN LADT LADR LA6DK	LAD8N		
LC1 D40...D95	—	0,8...1,1	•			
LC1 D40...D95	~ 50-60 Hz	0,8...1,1	•			
		0,85...1,1	•	•	•	•
LC2 D40...D95	50 Hz	0,8...1,1	•	•	•	•
	60 Hz		•	•	•	•

3P AC TeSys D contactors (LC1D40 -> LC1D95) are grade 2 according to GB 21518. Maximum power consumption lower than 36.6 VA.
 根据GB 21518标准，三相 TeSys D系列交流接触器 (LC1D40 -> LC1D95) 能效等级为2级，产品最大吸持功率低于36.6 VA

产品中有毒有害物质或元素的名称及含量 / Contents of Toxic or Hazardous Substances or Elements

部件名称 Part Name	有毒有害物质或元素 / Toxic or hazardous Substances and Elements					
	铅 (Pb)	汞 (Hg)	镉 (Cd)	六价铬 (Cr ⁶⁺)	多溴联苯 (PBB)	多溴二苯醚 (PBDE)
金属部件 Metal Parts	X	O	O	O	O	O

O : 表示该有毒有害物质在该部件所有均质材料中的含量均在SJ/T11363-2006 标准规定的限量要求以下。
 Indicates that this toxic or hazardous substance contained in all of the homogeneous materials for this part is below the limit requirement in SJ/T11363-2006.

X : 表示该有毒有害物质至少在该部件的某一均质材料中的含量超出SJ/T11363-2006 标准规定的限量要求。
 Indicates that this toxic or hazardous substance contained in at least one of the homogeneous materials used for this part is above the limit requirement in SJ/T11363-2006.

对销售之目的所售产品,本表显示,施耐德电气供应链的电子息产品可能包含这些物质。注意:在所售产品中可能会也可能不会含有所有列出的部件。
 Note: The products on sale may or may not contain all the parts/components listed here.



<p>The product's manufacture date is coded PPYYWWD, where:</p> <ul style="list-style-type: none">● PP: plant code● YY: year of manufacture● WW: week of manufacture● (D: weekday of manufacture (Monday = 1))	<p>La date de fabrication du produit est codée PPYYWWD, avec:</p> <ul style="list-style-type: none">● PP: code usine● YY: année de fabrication● WW: semaine de fabrication● (D: jour de fabrication dans la semaine (lundi = 1))	<p>La fecha de fabricación del producto está codificada PPYYWWD, donde:</p> <ul style="list-style-type: none">● PP: código de la planta● YY: año de fabricación● WW: semana de fabricación● (D: día de la semana de fabricación (lunes = 1))	<p>Das Herstellungsdatum des Produkts ist folgendermaßen codiert: PPYYWWD. Wobei:</p> <ul style="list-style-type: none">● PP: Werkscode● YY: Herstellungsjahr● WW: Herstellungswoche● (D: Herstellungstag (Montag = 1))
<p>La data di fabbricazione del prodotto è indicata con il codice PPYYWWD, dove:</p> <ul style="list-style-type: none">● PP: codice stabilimento● YY: anno di fabbricazione● WW: settimana di fabbricazione● (D: giorno della settimana in cui il prodotto è stato fabbricato (lunedì = 1))	<p>A data de fabrico do produto está sob a forma de código PPYYWWD, onde:</p> <ul style="list-style-type: none">● PP: código da fábrica● YY: ano de fabrico● WW: semana de fabrico● (D: dia da semana de fabrico (Segunda-feira = 1))	<p>Дата производства продукта закодирована в формате PPYYWWD, где:</p> <ul style="list-style-type: none">● PP: код завода● YY: год производства● WW: неделя производства● (D: день недели, когда был произведен продукт (понедельник = 1))	<p>产品制造日期采用如下代码 PPYYWWD, 其中:</p> <ul style="list-style-type: none">● PP: 工厂代码● YY: 制造年份● WW: 第几周制造● (D: 星期几制造 (星期一 = 1))





Schneider Electric Industries SAS

35, rue Joseph Monier
CS30323
F - 92500 Rueil-Malmaison
<http://www.schneider-electric.com>

W9 0444935 0114 11

**Уполномоченный поставщик в РФ:
АО «Шнейдер Электрик»**

Адрес:
127018, г. Москва, ул. Двинцев, д.12, корп.1,
тел. +7 (495)777 99 88,
факс: +7 (495)777 99 94, 8-800-200-6446
www.schneider-electric.ru

EAC



12/12