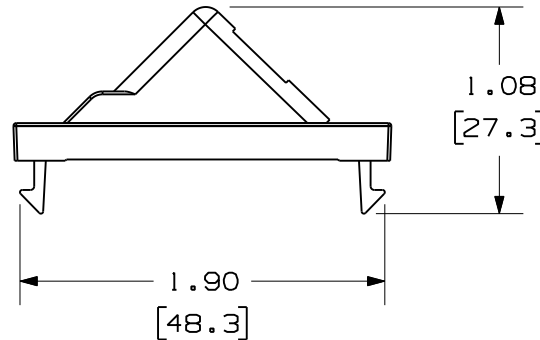
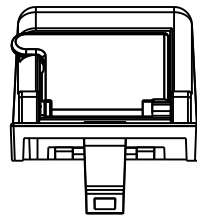
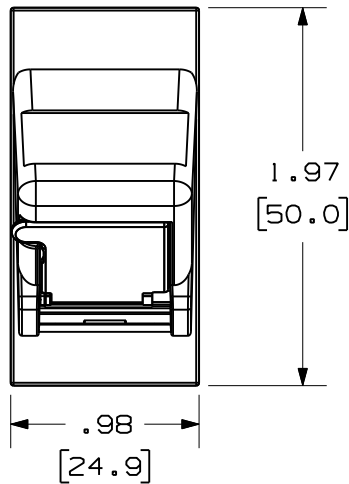


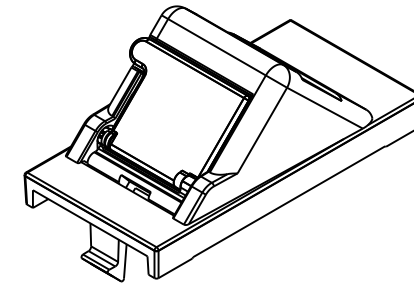
THIS COPY IS PROVIDED ON A RESTRICTED BASIS AND IS NOT TO BE USED IN ANY WAY DETRIMENTAL TO THE INTERESTS OF PANDUIT CORP.



PANDUIT P/N	WEIGHT
CM6CESS**-X	.168 LB/10 PCS (76.2 g/10 PCS)

NOTES:

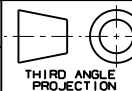
1. SEE CURRENT CATALOG FOR ADDITIONAL PART NUMBER SUFFIXES TO INDICATE COLOR AND OR PACKAGE QUANTITY.
2. SEE CATALOG FOR A COMPLETE LIST OF PARTS APPLICABLE FOR USE WITH THIS PART.
3. THIS PART IS USED TO SNAP INTO A STANDARD U.K. EUROMOD OPENING AND ACCEPTS SELECT SINGLE POSITION MINI-COM MODULES.
4. DIMENSIONS IN PARENTHESES ARE IN METRIC.



MODEL FILENAME	10M206AD/01	SIZE A
DRAWING FILENAME	10M206AD_DC02/01A	

MINI-COM 1 POSITION EUROMOD SLOPED SHUTTERED ADAPTER CUSTOMER DRAWING

PANDUIT[®]
TINLEY PARK, IL 60487



ALL DIMENSIONS ARE GIVEN IN INCHES, UNLESS OTHERWISE SPECIFIED,
DIMENSIONAL TOLERANCES ARE:
(.X) ±.03(1.762) (.XXX) ±.005(1.27)
(.XX) ±.01(1.254) ANGLES ± 1°

I.I. NUMBER	
PRODUCT SPEC/ PKG SPEC	
ASSY METHOD/ TEST METHOD	NONE
SCALE	
PART NO.	CM6CESS**-X
DRAWING NO.	10M206AD-02

REV	DATE	BY	CHK	DESCRIPTION	ECN	R	CUST	SUP	OTH
R	3-7-12	SCAL		RELEASED TO PRODUCTION.	10M206AD-02				

DRAWN BY	SCAL	REVIEW DRAWING NUMBERS	
DATE	3-7-12	MAT'L	
CHK'D			