


Part number

PEW 12563 SM



Wall-mounting plug, PLUSO series, 2 poles + PE, 6 h (blue), 125 A, 200 ÷ 250 V

Product description		Material properties	
Product type	Plug Wall-mounting	Colour	RAL 7035 grey, RAL 5015 blue
Series	PEW...SM, PLUSO	RoHs conformity	Compliant with exemption 6(c): copper alloy containing up to 4% lead by weight
N. of poles	2 poles + 	China RoHs - EFUP	50
Clock position	6	REACH SVHC substances	Yes Lead
Technical data		SCIP number	Ca7de37f-add8-4b77-9861-279c94903ade
Current	125 A	Approvals / Standards	
Voltage	200 ÷ 250 V	Reference standard	EN 60309-1 and -2
IP degree of protection	IP67	General ordering information	
Further technical details		EAN13 code	8015747070294
Weight	3.210,00 g	Packaging Information	
Operating temperature range (min, max)	-25°C ... +40°C	Packaging length	170,00 mm
		Packaging height	190,00 mm
		Packaging width	400,00 mm
		Packaging weight	3,46 kg
		Packaging volume	12,92 dm ³
		Packaging description	Carton box
		Packaging quantity	1 Pcs
		Packaging EAN code	8015747070300

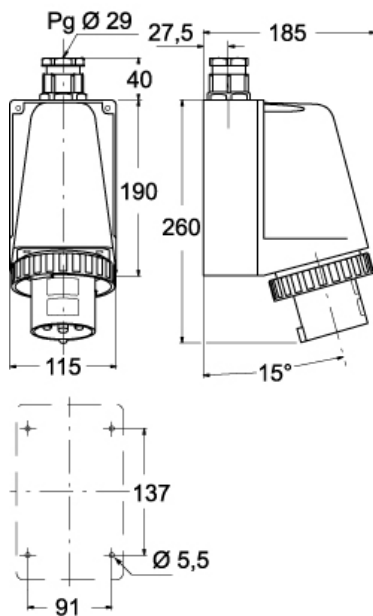
Part number

PEW 12563 SM

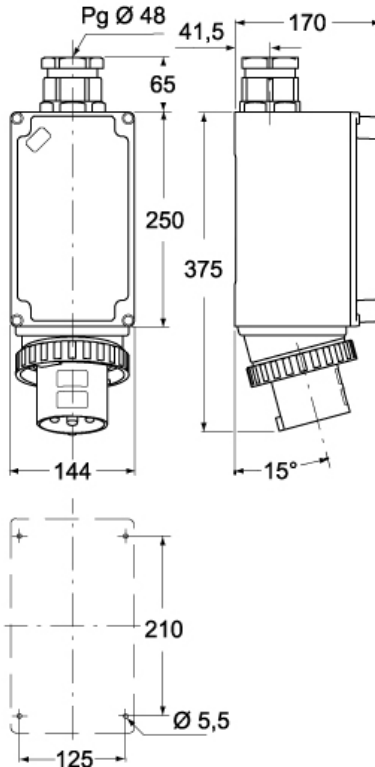


Catalogue drawings

(63A) PEW ... SM



(125A) PEW ... SM



Notes

Dimensions shown in mm are not binding and may be changed without notice.

- Compliant with EN 60309-1 and -2
- Enclosure, insert and locking ring in insulating, thermoplastic, self-extinguishing material
- PE...SM types (IP44), enclosure colour coded according to the operating voltage, top entry with threaded grommet (replaceable with cable gland)
- PEW...SM types (IP67), RAL 7035 grey enclosure, locking ring with gasket colour coded according to the operating voltage, top entry with cable gland
- Terminals with retained screws
- 63A, 125A: with pilot contact
- Nickel-plated contacts, available on request for 16A and 32A (standard on 63A and 125A). For the code of products with nickel-plated contacts (socket holes, plug pins), add "N" to the pre-code of the corresponding standard product code; for example: PE becomes PEN and PEW becomes PEWN.
- 125A: with terminal block for the anchoring of incoming cables, already connected to socket
- IP44 and IP67 degrees of protection (EN 6052)