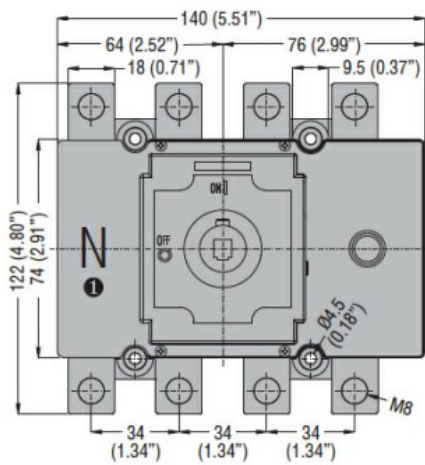




Product designation				Switch disconnecter
Product type designation				GE
Number of poles	Nr.			4
Operating voltage type				AC
Contact characteristics				
IEC Conventional free air thermal current I _{th}	A			160
Rated insulation voltage U _i IEC/EN	V			1000
Rated impulse withstand voltage U _{imp}	kV			8
Operating current I _e				
AC21A				
	400V	A	160	
	500V	A	160	
	690V	A	160	
AC22A				
	400V	A	160	
	500V	A	125	
	690V	A	125	
AC23A				
	400V	A	160	
	500V	A	125	
	690V	A	80	
Power dissipation per pole max		W	4	
Rated operational power AC23A				
	400V	kW	90	
	690V	kW	75	
Rated short time current (1s) I _{cs} (rms)		kA	7	
Conditional short-circuit current (rms)		kA	100	
Short-circuit protection with fuse		Class/A	gG160	
Making capacity AC23A 400V		A	1600	
Breaking capacity AC23A 400V		A	1280	
Mechanical life		cycles	30000	
Electrical life AC21A		cycles	1000 (AC23A 400V)	
Mechanical features				
Operating position	normal allowable	Vertical plan Any		
Fixing	Screw			
Terminals	type screw	Built-in terminal lug M8		
Tightening torque for terminals	max	Nm	4	

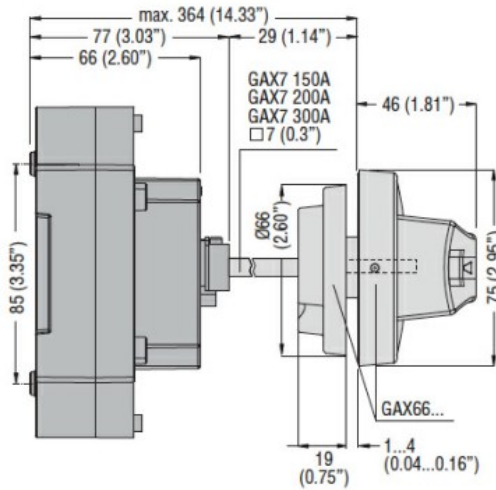
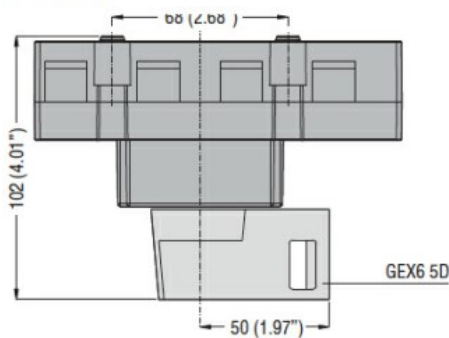
	max	lbin	3
Bar dimensions max			18x3
Ambient conditions			
Operating temperature	min	°C	-25
	max	°C	55
Storage temperature			
	min	°C	-40
	max	°C	70
Max altitude			
		m	3000
Resistance & Protection			
Frontal IP degree			IP20
Terminals IP degree			IP20
Pollution degree			3

Dimensions

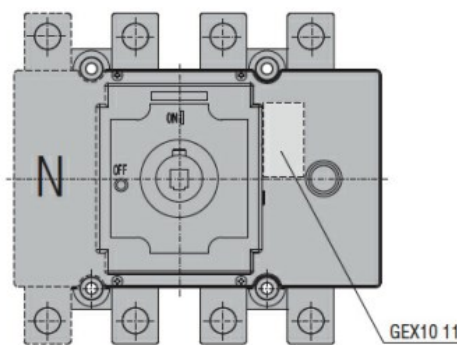


❶ Not indicated on GE0160 DTP4 type.

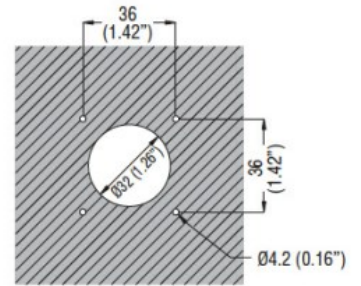
Direct operating version with handle
GEX6 5D



With auxiliary contact

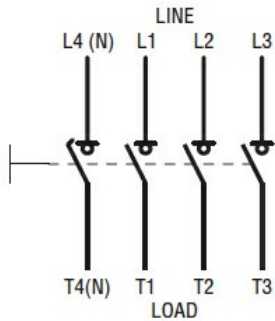


Drilling



Wiring diagrams

Four-pole disconnectors
GE0160 T4 - GE1600 T4
GE0160 T4P



Certifications and compliance

Compliance

IEC/EN 60947-1

IEC/EN 60947-3

Certifications

EAC

ETIM classification

ETIM 8.0

EC000216 -
 Switch
 disconnecter