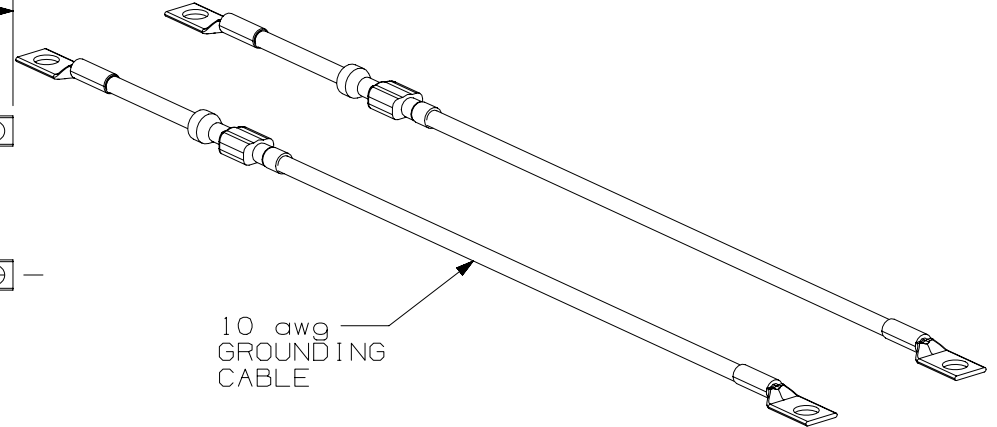
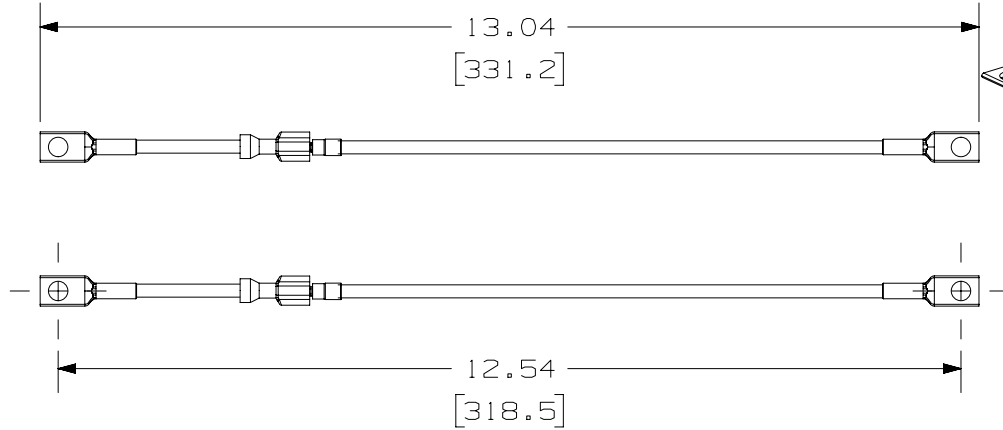


THIS COPY IS PROVIDED ON A RESTRICTED BASIS AND IS NOT TO BE USED IN ANY WAY DETRIMENTAL TO THE INTERESTS OF PANDUIT CORP.

NOTES:

1. VISIT OUR ON-LINE CATALOG AT WWW.PANDUIT.COM FOR A LIST OF CURRENT PARTS APPLICABLE FOR USE WITH THIS PRODUCT.
2. DIMENSIONS IN [ ] ARE METRIC.
3. ALL MATERIALS AND COMPONENTS USED MEET THE MATERIAL RESTRICTIONS OF RoHS (EUROPEAN DIRECTIVE 2011/65/EU ON THE RESTRICTION OF HAZARDOUS SUBSTANCES) AS PROPOSED BY THE RoHS TECHNICAL ADAPTATION COMMITTEE.
4. WEIGHT: ? LB [0.0 kg]
5. PART INCLUDES:  
2 - 10 awg GROUNDING CABLES



PART NUMBER		WMEGK										
TITLE		WME GROUNDING KIT										
		CUSTOMER DRAWING										
ITEM REVISION NAME		00490EAL/00										
DATASET FILE NAME		00490EAL_DC/00A										
		THIRD ANGLE PROJECTION										
MATERIAL		STEEL										
		DRAWING NUMBER										
		00490EAL - DC										
REV	DATE	BY	CHK	APR	DESCRIPTION	ECN	DRAWN BY	DATE	CHK	SCALE	SHEET	SIZE
00A	5-19-20	TWV	KZU	BETL	RELEASED TO PRODUCTION	M09000L0	TWV	5-19-20	KZU	1:4	1 OF 1	A

A-SIZE CUSTOMER

2

1

2

1