

Part number

C30MA 120



Male crimp contact, C30 series, 300 A, turned silver plated, wire cross section 120 mm², AWG 4/0

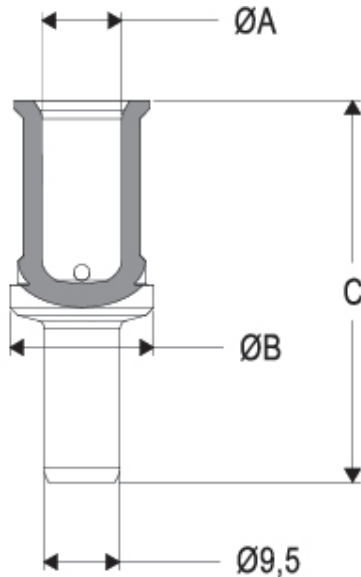
| Product description | | Material properties | |
|------------------------------------|----------------------|----------------------------------|--|
| Product type | Crimp contact | Main material | Copper alloy |
| Series | C30 | | Compliant with exemption 6(c): copper alloy containing up to 4% lead by weight |
| Gender | Male | RoHs conformity | |
| Technical data | | China RoHs - EFUP | 50 |
| Current | 300 A | REACH SVHC substances | Yes Lead |
| Contact type | Turned silver plated | General ordering information | |
| Further technical details | | EAN13 code | 8015747290548 |
| Contact resistance | ≤ 0,2 mΩ | Packaging Information | |
| Weight | 48,40 g | Packaging length | 112,00 mm |
| Conductors stripping length | 22,5 mm | Packaging height | 95,00 mm |
| | | Packaging width | 117,00 mm |
| | | Packaging volume | 1,24 dm ³ |
| | | Packaging description | Carton box |
| | | Packaging quantity | 40 Pcs |
| | | Packaging EAN code | 8015747290555 |
| | | Sub-packaging description | Plastic box |
| | | Sub-packaging quantity | 5 Pcs |
| | | Sub-packaging EAN barcode | 8015747290562 |

Part number

C30MA 120



Catalogue drawings



C30MA contacts

| conductor section (mm ²) | conductor slot \varnothing A (mm) | \varnothing B (mm) | C (mm) | conductor stripping length (mm) |
|--------------------------------------|-------------------------------------|----------------------|--------|---------------------------------|
| 16 | 5,5 | 18 | 42,7 | 19 |
| 25 | 7 | 18 | 42,7 | 19 |
| 35 | 8,2 | 18 | 43,7 | 20 |
| 50 | 10 | 18 | 49,2 | 22,5 |
| 70 | 11,5 | 18 | 49,2 | 22,5 |
| 95 | 13,5 | 21 | 49,2 | 22,5 |
| 120 | 15,5 | 21 | 49,2 | 22,5 |

Notes

California Proposition 65 Information



WARNING

This product can expose you to lead and its compounds, known to the State of California to cause cancer and/or reproductive toxicity. For more information go to www.P65Warnings.ca.gov.