



Expansion modules for modular products - communication port
EXM1030

Product designation

Product type designation

General characteristics

Description

Data storage, RTC with backup reserve energy for data logging

Functions

Data storage

Compatibility with LOVATO Electric product

Digital multimeters

DMG300

Yes

Energy meters

DMED310T2

Yes

Data concentrators

DMECD

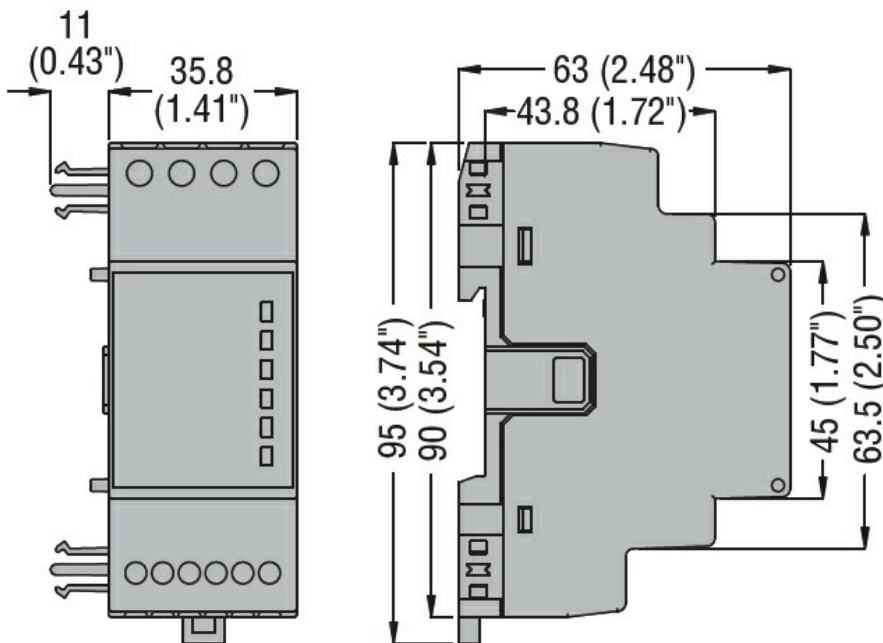
Yes

Mechanical features

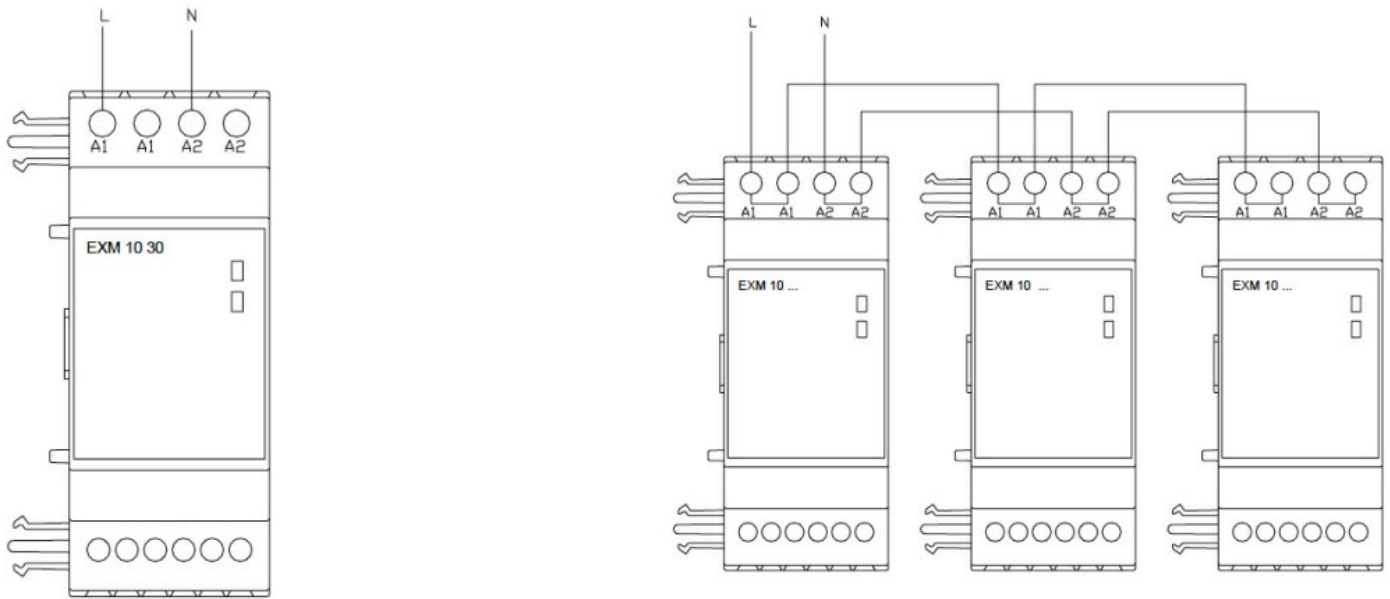
Weight

g 140

Dimensions



Wiring diagrams



Certifications and compliance

Compliance

CSA C22.2 n° 14

IEC/EN 61000-6-2

IEC/EN 61000-6-3

IEC/EN 61010-1

UL508

Certificates

cULus

EAC

ETIM classification

ETIM 8.0

EC002498 -
Accessories/spare
parts for low-
voltage switch
technology