



**Technical parameters****1. Electrical parameters**

Capacitance between contacts	$\leq 7\text{pF}$
Contact resistance	$\leq 5\text{m}\Omega$
Dielectric strength	1500V DC
Insulation resistance	$> 10\text{G}\Omega$ (initial)
Rated current per contact	7.5A
Rated voltage	$< 50\text{V}$

**2. Mechanical parameters**

Insertion force	$\leq 20\text{N}$
Withdrawal force	$\leq 20\text{N}$
Service life	$> 1000$
Locking device	Latch lock
Chassis shape	D

**3. Material and environmental parameters**

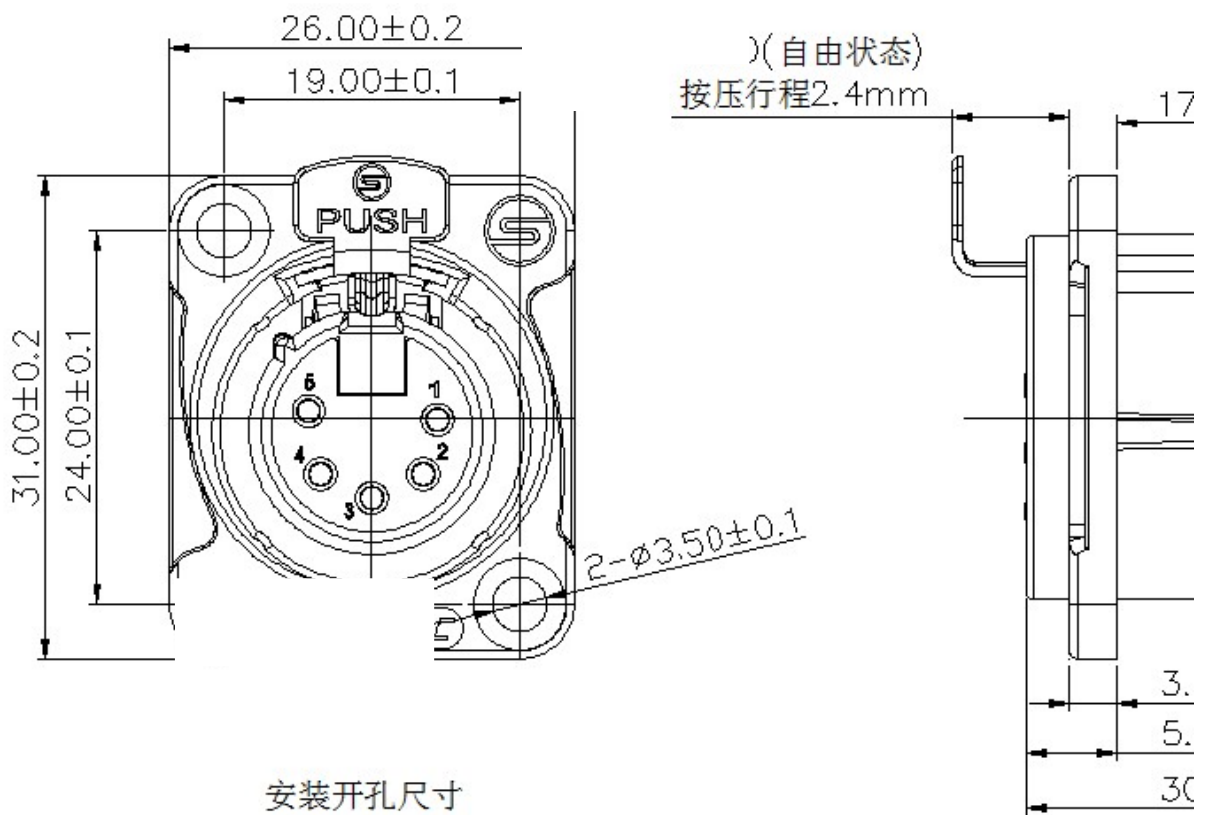
Contact plating	Sn Plated
Contacts	Copper alloy
Insert	Polyamide (PA66 +30%GF)
Shell	Zinc diecast (ZnAl4Cu1)
Shell plating	Pearl chrome
Flame-retardant grade	UL94 V0

Protection class	IP 40
Solderability	Complies with IEC 68-2-20
Temperature range	-30°C to +80°C

## 4. Standard

Standard	IEC 61076-2-103
----------	-----------------

## Product Profile



: mm

## Installation instructions

Panel mount: Front and rear

***SEETRONIC***

SEETRONIC NINGBO CO., LTD