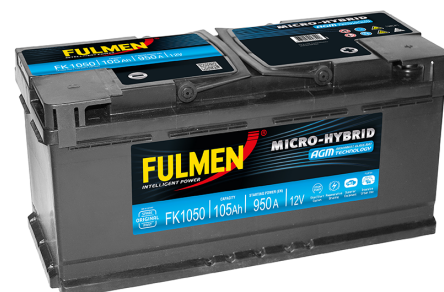
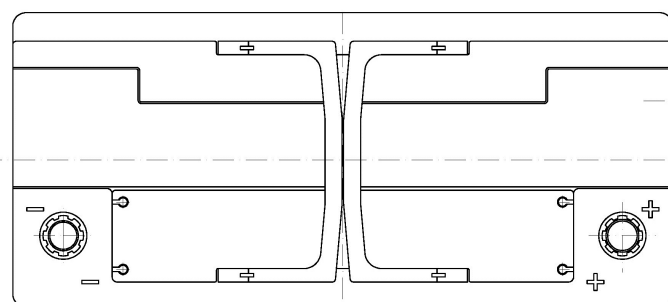
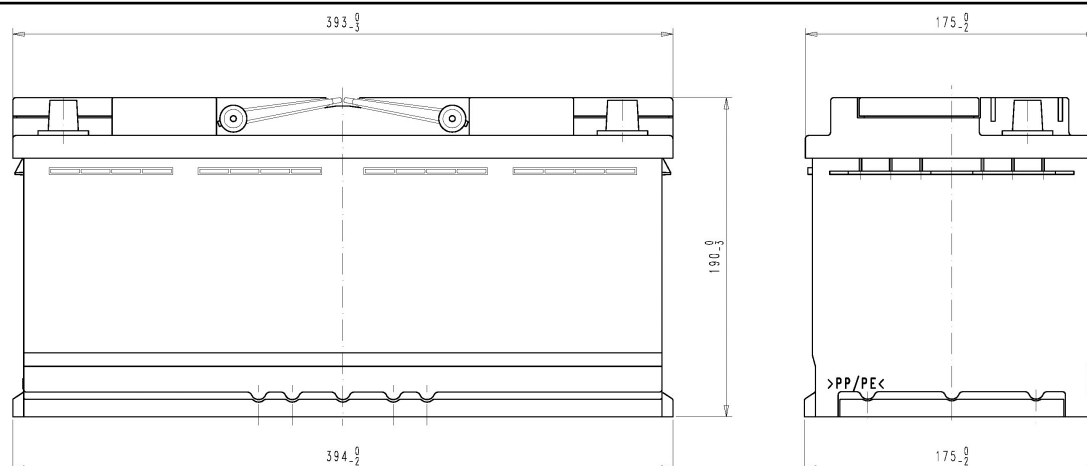


Central Article Code: L06096A05-A

Created: 16/02/2011

ETN Code or Other:

Modified: 7/2/2013



PERFORMANCES

Voltage (V):	12 V
C20 (Ah):	105.0 20 h
Rc (min):	0
Cranking (A):	950 EN
Vibration:	Manufactured Specific
Endurance:	VDA Requirement
Charge:	CHARGED
Technology:	AGM
Grid:	Ca/Ca

WEIGHT AND STD. DIMENSIONS

Battery Weight (kg):	27.02
Volume acid (l):	5.04
Length (mm):	392
Width (mm):	175
Height (mm):	190

All figures show nominal values. Tolerances are according to EN50342 and applicable European Regulations.

CONTAINER

Type:	L06	BLACK
Hold Down:	B13	
H.D. Adapter:	No	

COVER

Type:	Double with Integrated	BLACK
Polarity:	ETN 0	
Terminals:	EN taper post	
Terminal Adapter:	No	
SOCI:	No	
Ventilation:	Central	
Filter:	1 Filter Positive side	
Lateral Plug:	No	

PLUGS

Type:	1 x Vent Sealed	BLACK
-------	-----------------	-------

HANDLES

Type:	2 x Integrated	BLACK
-------	----------------	-------

OTHERS

Degassing Tube:	No
-----------------	----