



Product designation

Fixing bases for
light and sound
signal beacons
Ø62mm/2.44"
8LB6BP04

Product type designation

General characteristics

Diameter mm - inch 62 / 2.44

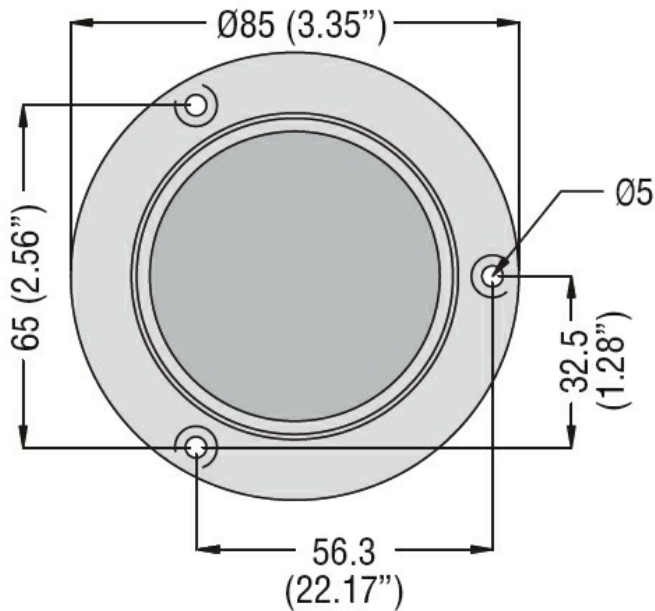
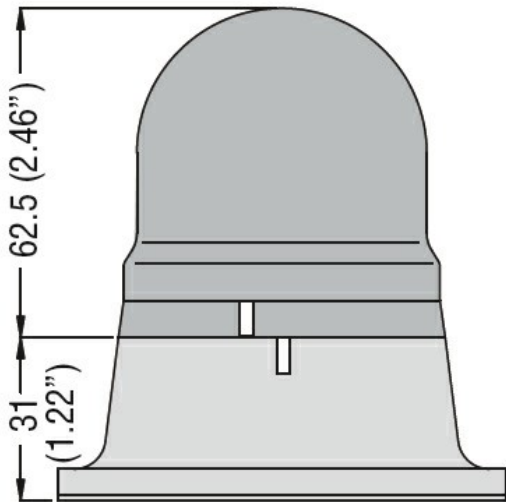
Colour Black

Material Plastic

Mechanical features

Weight g 40

Dimensions



Certifications and compliance

Compliance

/

Certificates

/

ETIM classification

ETIM 8.0

EC001154 -
 Stand for signal
 tower without
 tube