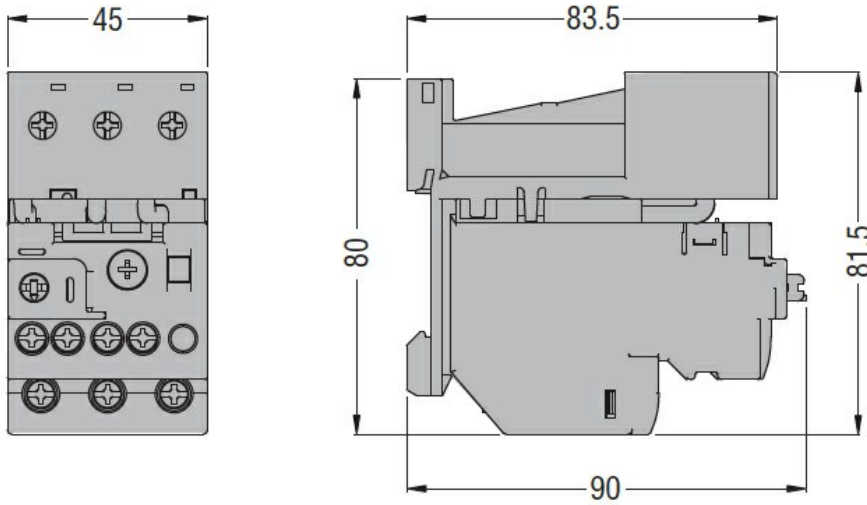




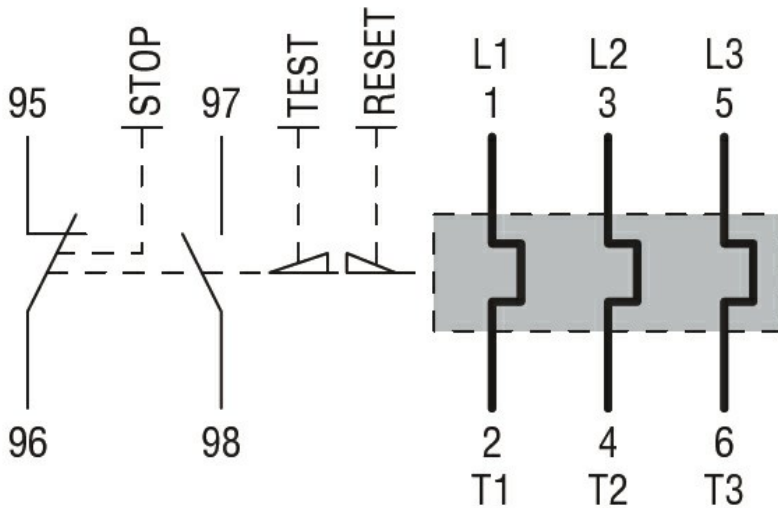
Product designation				RFE45
Product type designation				Motor protection relay
General characteristics				
Number of poles	Nr.			3
Overvoltage category				III
Pollution degree				3
Frontal IP degree				IP20
Type of release				Electronic thermal
Protection fuse				
	gG (IEC)	A	6	
	aM (IEC)	A	4	
Phase failure detection				yes
Reset mode				Manual or automatic
Power circuit characteristics				
Rated insulation voltage U_i IEC/EN	V			1000
Rated impulse withstand voltage U_{imp}	kV			6
Rated operational voltage	V			690
Operational frequency				
	min	Hz	50	
	max	Hz	60	
Operational current I_e				
	Operational current min	A	0.4	
	Operational current max	A	2	
Tripping class				5 - 10 - 20 - 30
Test Button				yes
Trip indicator				yes
Terminals				
	type			screw and washer
	screw			M4
	width	mm	12	
	tool			Phillips 2
Tightening torque for terminals				
	min	Nm	3.1	
	max	Nm	3.1	
	min	lbin	2.3	
	max	lbin	2.3	
Conductor section				
	AWG/kcmil max			6
Auxiliary circuit characteristics				
Auxiliary contacts	NO	Nr.	1	

	NC	Nr.	1
Auxiliary Rated insulation voltage U_i IEC/EN		V	690
Auxiliary Rated impulse withstand voltage U_{imp}		kV	6
Auxiliary Rated operational voltage		V	690
Operating current AC15			
	24V	A	3
	120V	A	3
	240V	A	1.5
	380V	A	0.95
	480V	A	0.75
	500V	A	0.72
	600V	A	0.6
Operating current DC13			
	125V	A	0.11
	600V	A	0.22
IEC Conventional free air thermal current I_{th}		A	10
Terminals			
	Auxiliary circuit type		screw and washer
	Auxiliary circuit screw		M3,5
	Auxiliary circuit width	mm	7
	Auxiliary circuit tool		Phillips 2
Conductor section			
	Auxiliary circuit Flexible w/o lug max	mm ²	2.5
	Auxiliary circuit Flexible c/w lug max	mm ²	2.5
Tightening torque for terminals			
	Auxiliary circuit min	Nm	0.8
	Auxiliary circuit max	Nm	0.8
	Auxiliary circuit min	lbin	0.6
	Auxiliary circuit max	lbin	0.6
UL/CSA and IEC/EN 60947-5-1 designation			B600-R300
Ambient conditions			
Operating temperature			
	min	°C	-25
	max	°C	70
Storage temperature			
	min	°C	-55
	max	°C	80
Compensation temperature			
	min	°C	-25
	max	°C	70
Max altitude		m	3000
Mechanical features			
Operating position			
	normal allowable		Vertical plan ±30°
Fixing			Direct mounting on BF09... BF38...
Weight		g	195
UL technical data			
Full-load current (FLA) for three-phase AC motor			
	at 480V	A	2
	at 600V	A	2

Dimensions



Wiring diagrams



Certifications and compliance

Compliance

- CSA C22.2 n° 60947-1
- CSA C22.2 n° 60947-4-1
- IEC/EN 60947-1; IEC/EN 60947-4-1
- UL 60947-1
- UL 60947-4-1

Certifications

cULus

ETIM classification

ETIM 8.0

EC001080 -
Electronic
overload relay