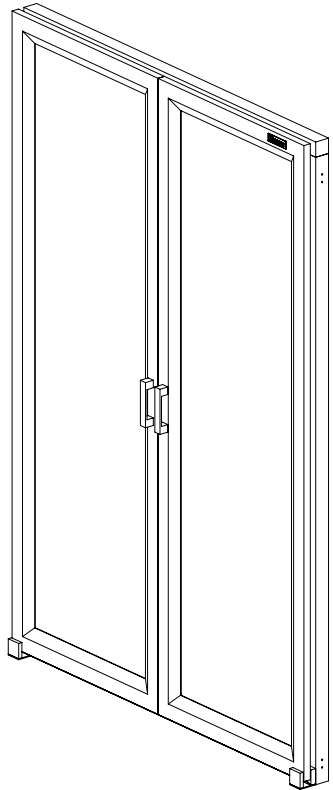


THIS COPY IS PROVIDED ON A RESTRICTED BASIS AND IS NOT TO BE USED IN ANY WAY DETRIMENTAL TO THE INTERESTS OF PANDUIT CORP.

△ B



| PANDUIT P/N | DESCRIPTION | WEIGHT |
|-------------|---|----------------------------|
| CUD2SDS1 | NET-CONTAIN CONTAINMENT DUAL SLIDING DOOR - 4FT (1200mm)/6FT (1800mm) AISLE WIDTH, SILVER, MOQ2 | 42.2 kg/EACH (93 LBS/EACH) |
| CUD2SDB1 | NET-CONTAIN CONTAINMENT DUAL SLIDING DOOR - 4FT (1200mm)/6FT (1800mm) AISLE WIDTH, BLACK, MOQ2 | 42.2 kg/EACH (93 LBS/EACH) |
| CUD1SDS1 | NET-CONTAIN CONTAINMENT DUAL SLIDING DOOR - 4FT (1200mm)/6FT (1800mm) AISLE WIDTH, SILVER, MOQ1 | 42.2 kg/EACH (93 LBS/EACH) |
| CUD1SDB1 | NET-CONTAIN CONTAINMENT DUAL SLIDING DOOR - 4FT (1200mm)/6FT (1800mm) AISLE WIDTH, BLACK, MOQ1 | 42.2 kg/EACH (93 LBS/EACH) |

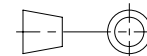
** DENOTES COLOR - ADD SUFFIX:
 "S1" FOR SILVER AND "B1" FOR BLACK

△ A

- NOTES:
- VISIT OUR ONLINE CATALOG AT WWW.PANDUIT.COM FOR A LIST OF CURRENT PARTS APPLICABLE FOR USE WITH THIS PRODUCT.
 - PARTS SUPPLIED:
 1 - DUAL SLIDING DOOR
 8 - 1/4-14 X 1 SELF DRILLING SCREWS
 1 - INSTRUCTION SHEET
 - PRIMARY DIMENSIONS ARE IN MILLIMETERS.
 - EACH CUD1SDS1 OR CUD1SDB1 WILL BE SHIPPED ON ITS OWN PALLET.
 - CUD2SDS1 AND CUD2SDB1 DOORS MUST BE ORDERED IN MULTIPLES OF TWO. EACH ORDER OF TWO CUD2SDS1 OR TWO CUD2SDB1 WILL BE SHIPPED WITH TWO DOORS ON ONE PALLET.

| REV | DATE | BY | CHK | APR | DESCRIPTION | ECN |
|-----|---------|-----|-----|-----|--|----------|
| 01B | 1-5-17 | LEE | WAB | | B. NOTES 4 & 5 ADDED A. DESCRIPTIONS IN TABLE REVISED ("2 OR 1 DOORS" REMOVED, AND EITHER MOQ2 OR MOQ1 ADDED) | V09001CX |
| 01A | 1-19-16 | MES | WAB | | RELEASED TO PRODUCTION | V09000PP |

| | | | | |
|--------------------|-----------------|--|-------|------|
| TITLE | | NET-CONTAIN DUAL SLIDING DOORS FINISHED GOOD (CUD*SD**) | | |
| CUSTOMER DRAWING | | | | |
| ITEM REVISION NAME | 15V530CM/01 | | | |
| DATASET FILE NAME | 15V530CM_DC/01B | | | |
| MATERIAL: | N/A | | | |
| DRAWING NUMBER: | 15V530CM-DC | | | |
| DRAWN BY | DATE | CHK | SCALE | SIZE |
| MES | 1-19-16 | WAB | NONE | A |



THIRD ANGLE
PROJECTION

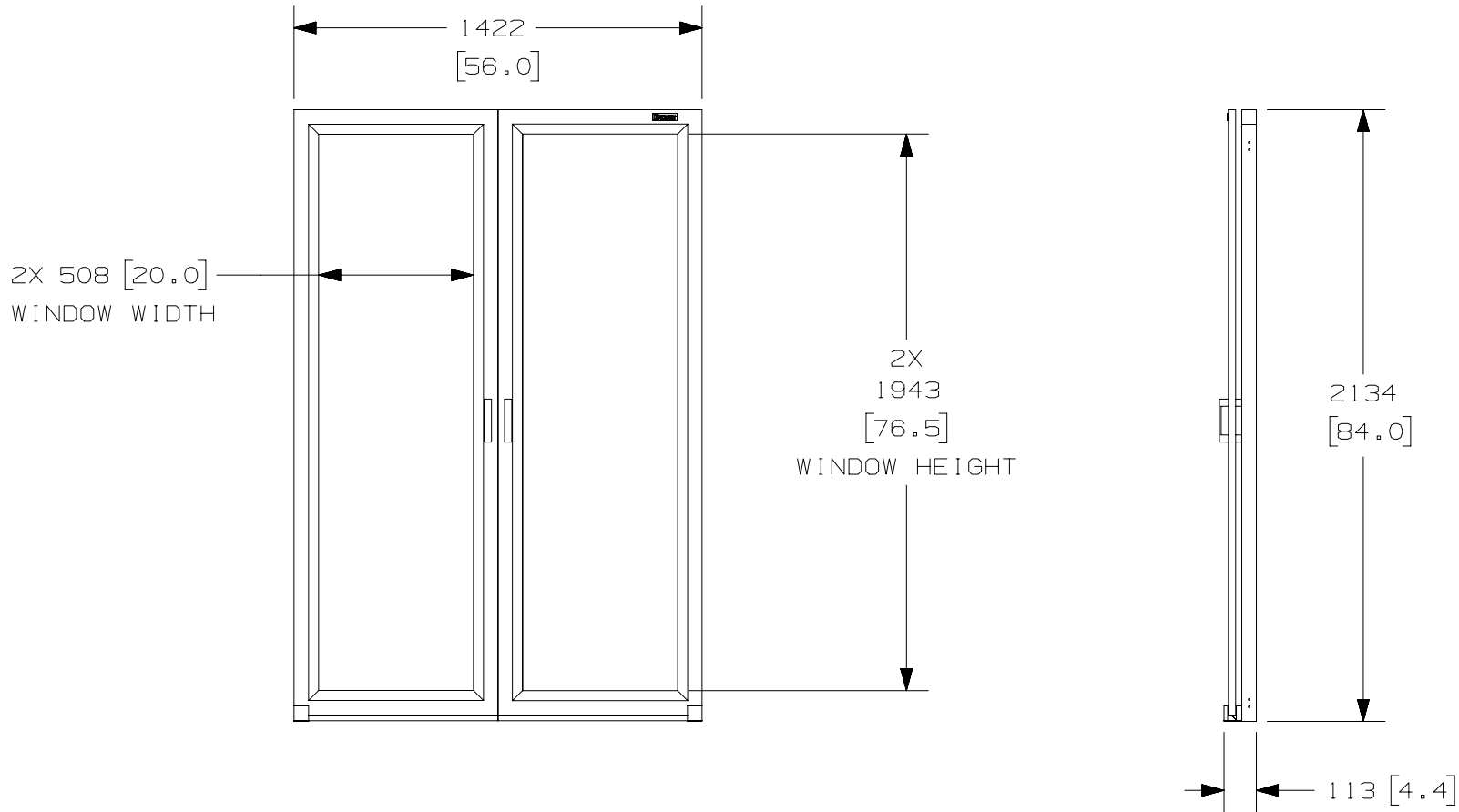
PANDUIT

D10100DA/16

2

1

THIS COPY IS PROVIDED ON A RESTRICTED BASIS AND IS NOT TO BE USED IN ANY WAY DETRIMENTAL TO THE INTERESTS OF PANDUIT CORP.



| REV | DATE | BY | CHK | APR | DESCRIPTION | ECN |
|-----|---------|-----|-----|-----|-----------------------------|----------|
| 01B | 1-5-17 | LEE | | | SEE SHEET ONE FOR REVISIONS | V09001CX |
| 01A | 1-19-16 | MES | WAB | | RELEASED TO PRODUCTION | V09000PP |

| | | | | | | |
|---|--|-----------------|--------------------------------|---------------|------------|-----------|
| TITLE NET-CONTAIN DUAL SLIDING DOORS FINISHED GOOD (CUD*SD**) CUSTOMER DRAWING | | | | | | |
| ITEM REVISION NAME 15V530CM/01 | | | PANDUIT | | | |
| DATASET FILE NAME 15V530CM_DC/01B | | | | | | |
| MATERIAL: N/A | | | DRAWING NUMBER: 15V530CM-DC | | | |
| DRAWN BY MES | | DATE 1-19-16 | CHK WAB | SCALE NONE | SHT 2 OF 2 | SIZE A |

D101000DA/16