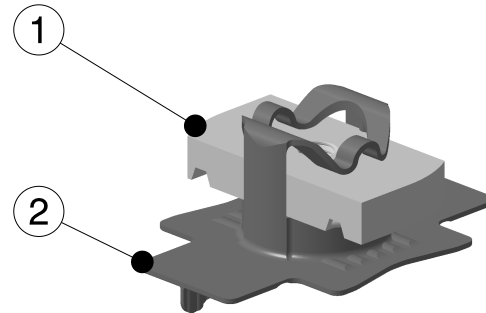
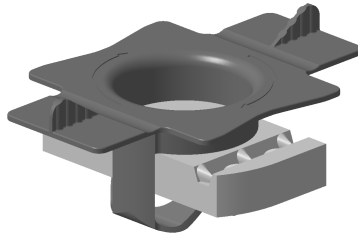


**ECROU A AILLETTE - E41AA  
E41AA - AUTOSTRUT NUT**

 Reference(s) : 801 941/43/51/53/61/63/71/73  
350 452/53/54/55

**1. GAMME / RANGE**

Designation	Code	M	A		Poids / Weight		Matière n°1 / Material n°1	Norme / Standard	Matière n°2 / Material n°2	Finition / Coating	Classe de résistance contre la corrosion / Resistance class against corrosion				
			(mm)	(inch)	(Kg)	(lb)									
E41AAM6 EZ	801 941	M6	6	0.236	0.028	0.062	S235 JR	EN 10025	PP	EZ	Class 3 / IEC 61537				
E41AAM6 ZnL	801 943									ZnL	Class 6 / IEC 61537				
E41AAM6 ZnNi	350 452									ZnNi	Class 8 / IEC 61537				
E41AAM8 EZ	801 951	M8	6	0.236	0.027	0.060				EN 10025	PP	EZ	Class 3 / IEC 61537		
E41AAM8 ZnL	801 953											ZnL	Class 6 / IEC 61537		
E41AAM8 ZnNi	350 453											ZnNi	Class 8 / IEC 61537		
E41AAM10 EZ	801 961	M10	8	0.315	0.039	0.694				EN 10025	PP	EZ	Class 3 / IEC 61537		
E41AAM10 ZnL	801 963											ZnL	Class 6 / IEC 61537		
E41AAM10 ZnNi	350 454											ZnNi	Class 8 / IEC 61537		
E41AAM12 EZ	801 971	M12	9.5	0.374	0.039	0.086						EN 10025	PP	EZ	Class 3 / IEC 61537
E41AAM12 ZnL	801 973													ZnL	Class 6 / IEC 61537
E41AAM12 ZnNi	350 455													ZnNi	Class 8 / IEC 61537

**2. DIMENSIONS (mm/inch)**
