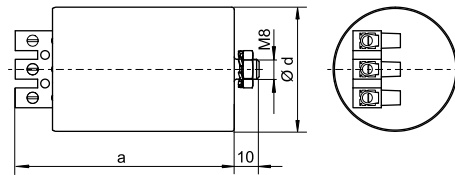


## Electronic Superimposed Ignitors for HS and HI Lamps 250 to 1000 W

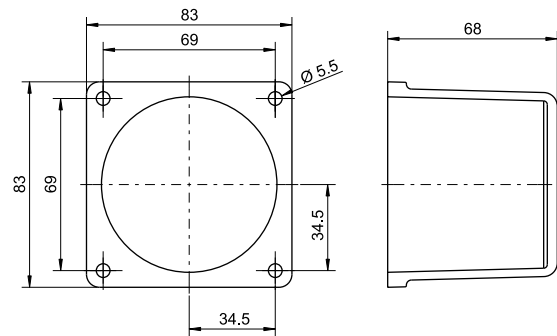


Standard version or with automatic switch-off  
 For high pressure sodium lamps (HS)  
 and metal halide lamps (HI)  
 Phasing of the ignition voltage:  
 60–90 °el and 240–270 °el  
 Max. permitted casing temperature: 105 °C  
 Screw terminals: 0.75–2.5 mm<sup>2</sup>  
 (Z 1000 S: 0.75–4 mm<sup>2</sup>)  
 Fastening: male nipple with pre-assembled  
 washer and nut  
 For luminaires of protection class I and II

Al casing



Z 1000 TOP



| Type                         | Ref. No.        | Voltage AC<br>50–60 Hz<br>V | Max.<br>lamp current<br>A | Internal<br>loss<br>W | Inherent<br>heating<br>K | Ignition<br>voltage<br>kV | Load<br>capacity<br>µF | Switch-off time<br>sec./Hz | Casing      |         |         |         | Weight<br>g |
|------------------------------|-----------------|-----------------------------|---------------------------|-----------------------|--------------------------|---------------------------|------------------------|----------------------------|-------------|---------|---------|---------|-------------|
|                              |                 |                             |                           |                       |                          |                           |                        |                            | d (Ø)<br>mm | a<br>mm | b<br>mm | c<br>mm |             |
| <b>Aluminium casing (Al)</b> |                 |                             |                           |                       |                          |                           |                        |                            |             |         |         |         |             |
| Z 1000 S                     | <b>140430</b>   | 220–240                     | 12                        | < 6                   | < 35                     | 4–5                       | 20–100                 | —                          | 50          | 80      | —       | —       | 340         |
| Z 1000 TOP                   | <b>140607**</b> | 220–240                     | 12                        | < 6                   | < 35                     | 4–5                       | 20–100                 | —                          | —           | 83      | 83      | 68      | 620         |
| Z 1000 S D20                 | <b>141584*</b>  | 220–240                     | 12                        | < 6                   | < 35                     | 4–5                       | 20–100                 | 1216/50–60                 | 50          | 80      | —       | —       | 340         |

\* With IPP technology

\*\* For flange-mounting with gasket for degree of protection IP55

