



Product designation

Adjustable roller  
lever

Product type designation

KCF

**General characteristics**

Material

Housing

Polymer  
thermoplastic

Roller

Metal

**Contact characteristics**

Type of contact

2NC Snap action

Thermal current I<sub>th</sub>

A 10

IEC/EN 60947-5-1 designation

A600 Q300

Rated insulation voltage U<sub>i</sub>

V 690

Rated impulse withstand voltage U<sub>imp</sub>

kV 6

Insulation class

II

Short-circuit protection with fuse

Class/A

10 gG/SC  
QUICK FUSE

Switching speed

min m/s 0.5

max m/s 1.5

IEC Conventional free air thermal current I<sub>th</sub>

A 10

Resistance per pole (average value)

mΩ <10

**Mechanical features**

Operating head fixing

Locking bayonet  
insert

Operating torque

Ncm 3

ozin 4.25

Tightening torque (Max)

Switch fixing

Nm 2.5

lbin 22.1

Contact terminals

Nm 0.8

lbin 7

Body lid screw fixing

Nm 0.8

lbin 7

Conductor section

AWG/Kcmil

min 16

max 14

IEC

min mm<sup>2</sup> 1or 2

max mm<sup>2</sup> 2.5

Cable connection	Self-releasing screw terminal
Cable entry	M20 on the sides

**Operations**

Mechanical life	cycles	<10000000
Mechanical operation	cycles/h	3600

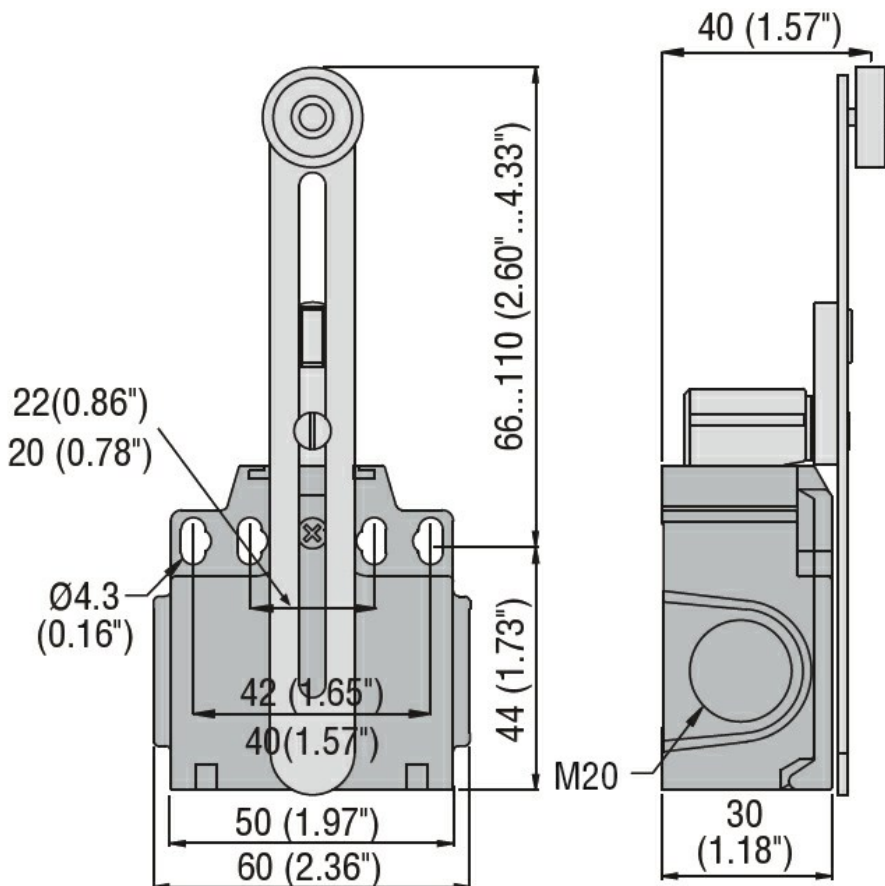
**Ambient conditions**

Temperature	Operating temperature	min	°C	-25
		max	°C	+70
	Storage temperature	min	°C	-40
		max	°C	+70

**Resistance & Protection**

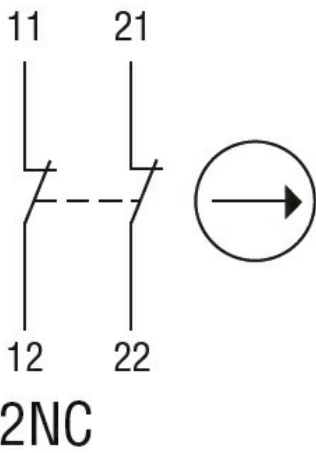
IP degree	Terminals	IP20
	Body housing	IP65
Pollution degree		3

**Dimensions**



**Wiring diagrams**

## Snap action



### Certifications and compliance

#### Compliance

CSA C22.2 n° 14  
EN 50047  
IEC/EN 60204-1  
IEC/EN 60947-1  
IEC/EN 60947-5-1  
UL508

#### Certificates

CCC  
cULus  
EAC

### ETIM classification

ETIM 8.0

EC000030 - End  
switch