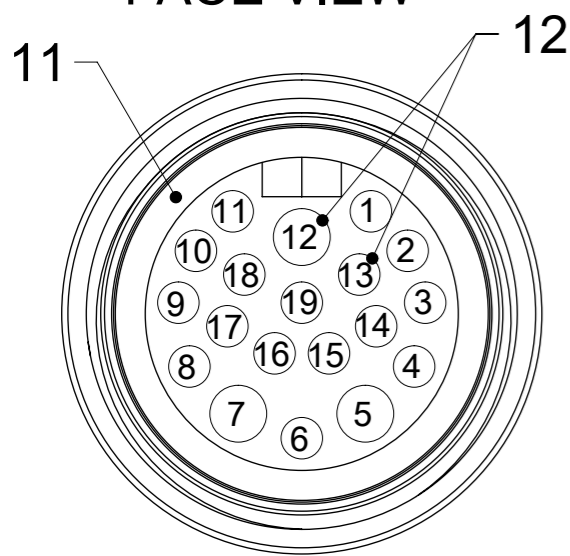


TABLE 1

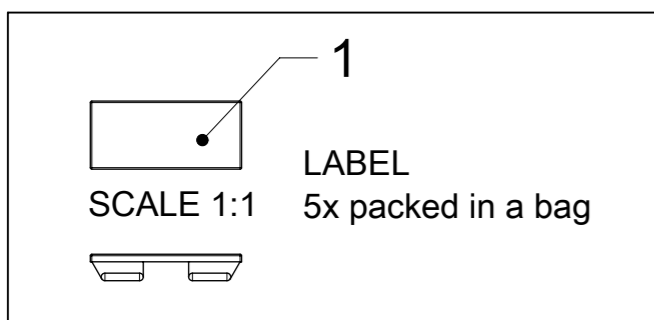
MOLEX P/N	ENG. NO.	CABLE LENGTH (mm)	LED
1202510109	BKB4120-FBW-003	300	NO
1202510110	BKB4120-FBW-01	1000	NO
1202510111	BKB4120-FBW-05	5000	NO
1202510112	BKB4120-FBW-10	10000	NO
1202510113	BKB412N-FBW-003	300	YES
1202510114	BKB412N-FBW-05	5000	YES

19 POLE MALE
FACE VIEW



PIN	COLOR
3	GREY
4	RED/BLUE
5	BLUE
6	GREEN
7	BROWN
8	WHITE/GREEN
12	YELLOW/GREEN
14	BROWN/GREEN
15	WHITE
16	YELLOW
19	GREY/PINK

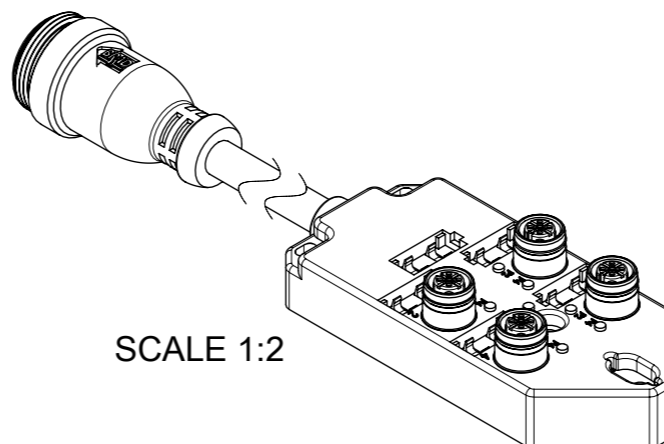
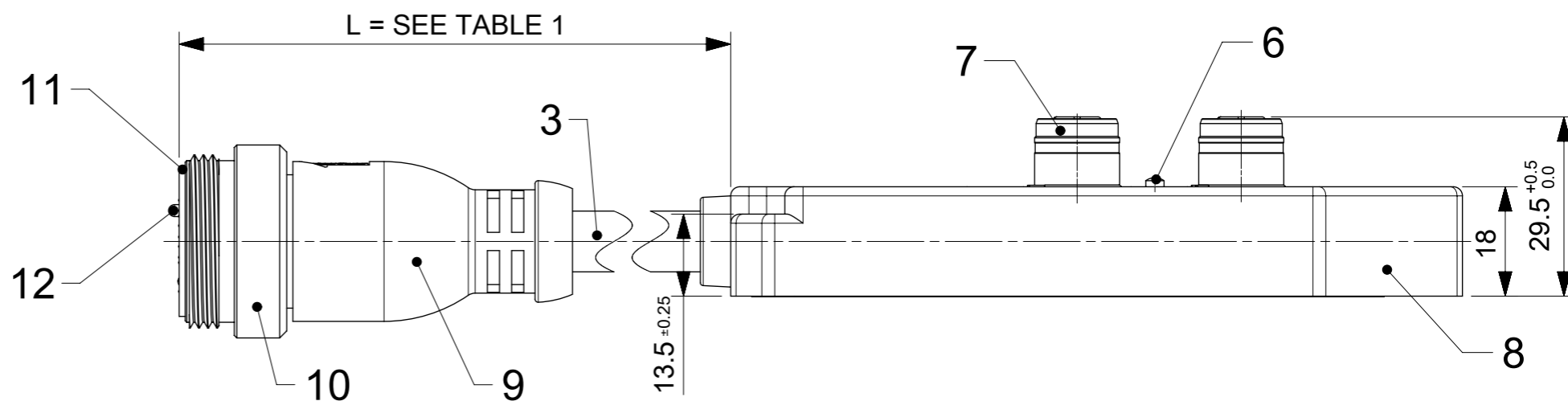
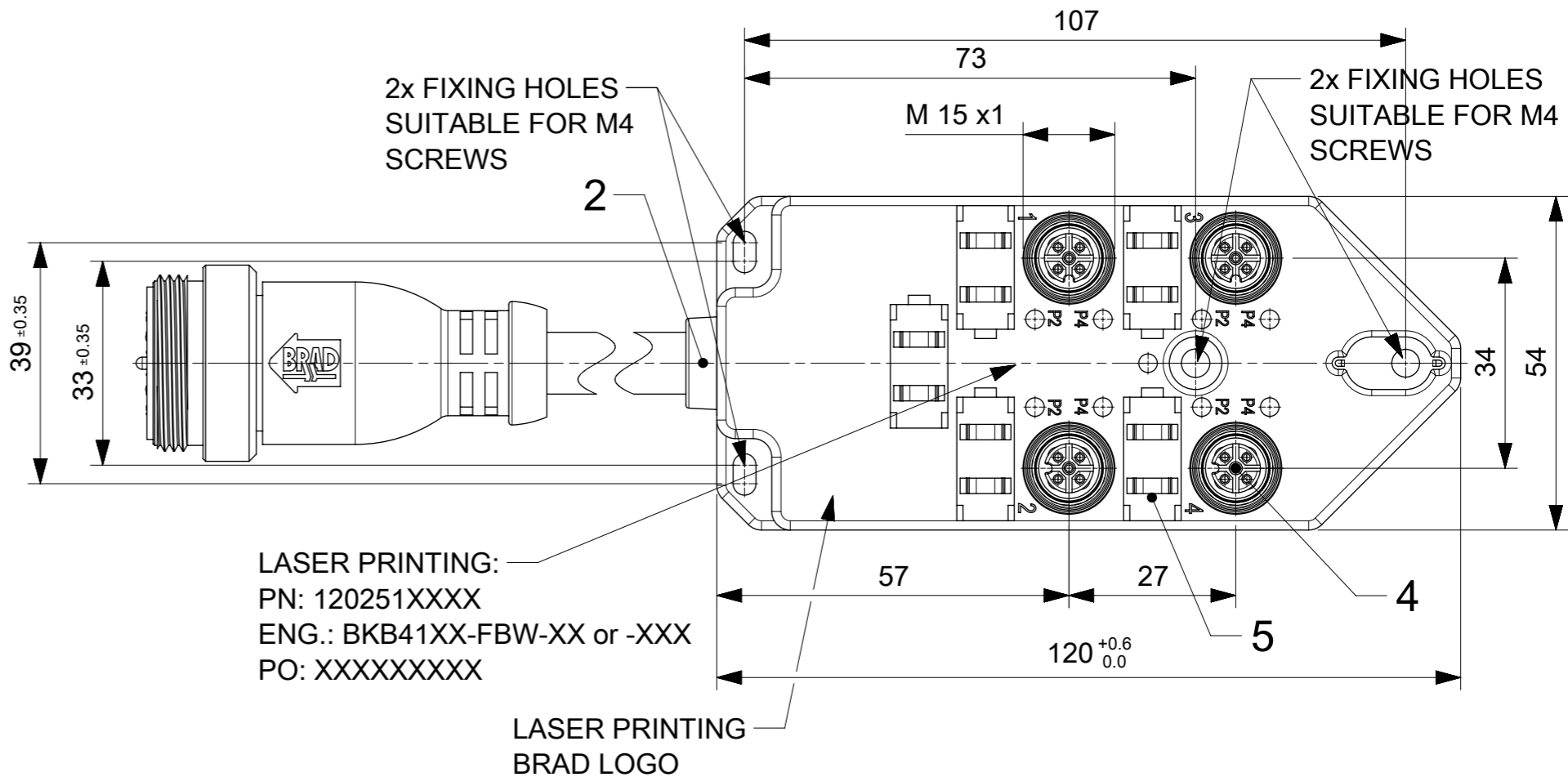
SCALE 2:1



GENERAL CHARACTERISTICS:

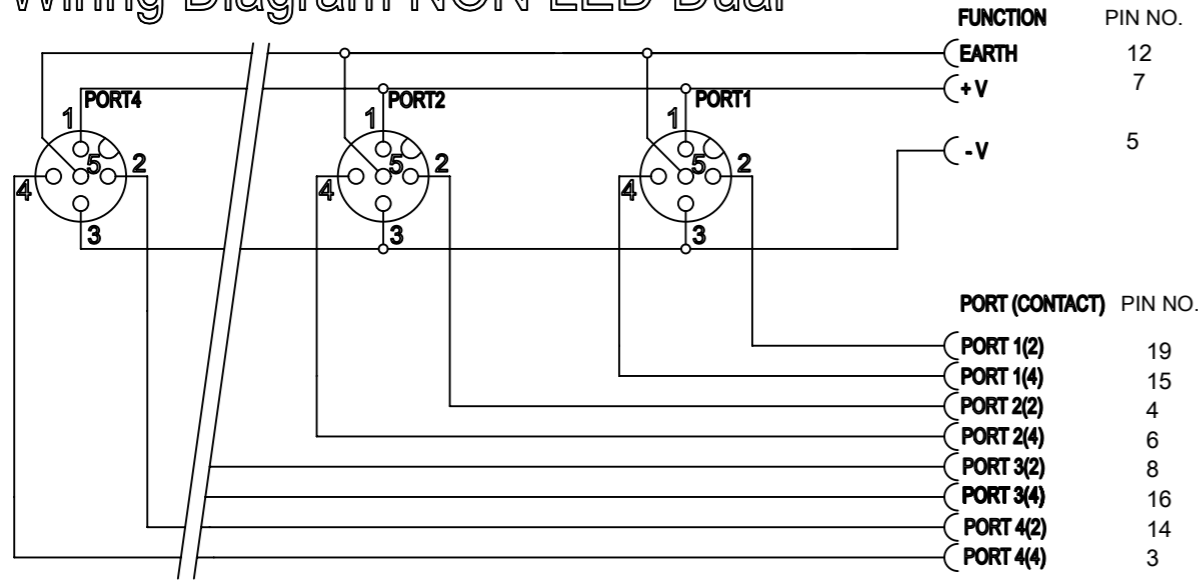
ELECTRICAL AND MECHANICAL DATA ACC. TO IEC 61076-2-101

NOMINAL VOLTAGE: 10-30 V DC
 AMPERE RATING: 4 A PER PORT / 12 A MAX
 AMPERE RATING WITH UL REGISTRATION: 3 A PER PORT / 9 A MAX
 IP DEGREE OF PROTECTION: IP 67
 TEMPERATURE RANGE: -25°C to + 85°C

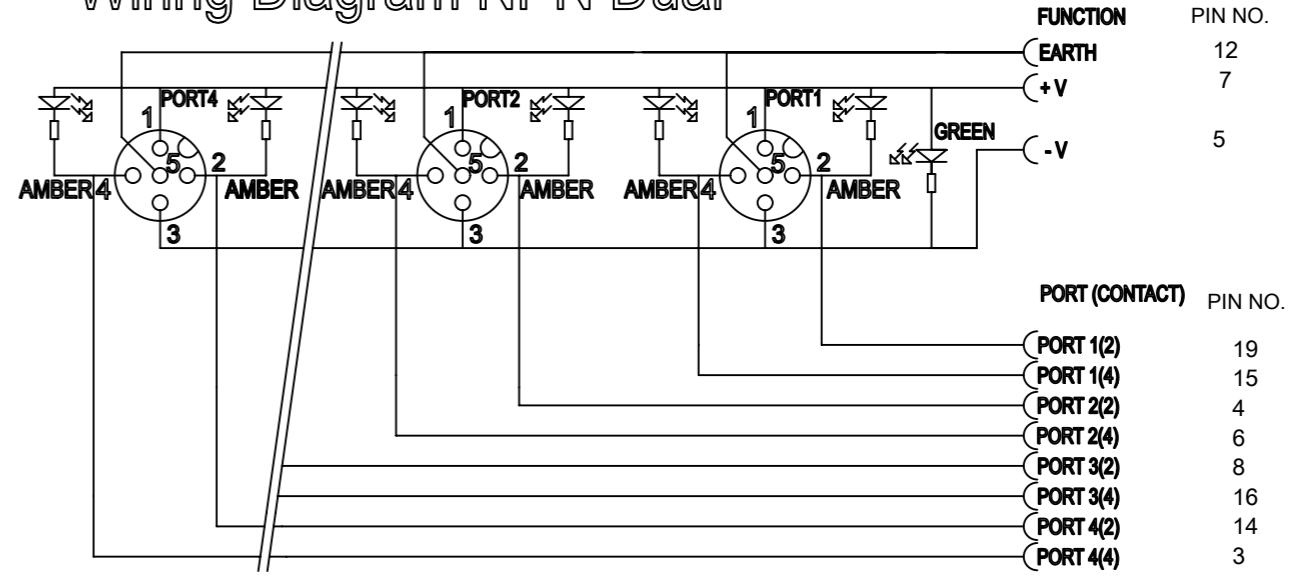


FUNCTIONAL SYMBOLS	THIS DRAWING CONTAINS INFORMATION THAT IS PROPRIETARY TO MOLEX ELECTRONIC TECHNOLOGIES, LLC AND SHOULD NOT BE USED WITHOUT WRITTEN PERMISSION	
DIMENSION UNITS	SCALE	CURRENT REV DESC: BOM UPDATED
$\nabla_A = 0$	mm	1:1
$\nabla_F = 0$	GENERAL TOLERANCES (UNLESS SPECIFIED)	
$\nabla_V = 0$	ANGULAR TOL $\pm 1.0^\circ$	
DIVISIONAL SYMBOLS	4 PLACES \pm	EC NO: 695129
	3 PLACES \pm	DRWN: RSCHIEBER 2022/02/07
	2 PLACES ± 0.05	CHK'D: RSILLER 2022/02/09
	1 PLACE ± 0.3	APPR: RSILLER 2022/02/09
	0 PLACES ± 0.5	INITIAL REVISION:
		DRWN: SSM 2019/01/14
		APPR: RSILLER 2020/01/17
DRAFT WHERE APPLICABLE MUST REMAIN WITHIN DIMENSIONS	THIRD ANGLE PROJECTION	DRAWING
		A3-SIZE
		SERIES
		120251
	MATERIAL NUMBER	CUSTOMER
	SEE TABLE 1	GENERAL MARKET
	DOCUMENT NUMBER	DOC TYPE DOC PART REVISION
	1202510109	PSD 000 A2
		SHEET NUMBER
		1 OF 2

Wiring Diagram NON LED Dual



Wiring Diagram NPN Dual



BILL OF MATERIAL

ITEM	DESCRIPTION	MATERIAL	FINISH
1	LABEL	ABS	WHITE
2	CABLE PLATE	PBT	BLACK
3	CABLE	TPU BASED	BLACK
4	CONTACT	BRASS	GOLD OVER NICKEL
5	O-RING	FPM	RED
6	LED	NO LED = PA	BLACK
		WITH LED = PA	TRANSPARENT
7	SHELL	BRASS	NICKEL PLATED
8	HOUSING	PBT	BLACK
9	OVERMOLDING	PVC	YELLOW
10	COUPLING NUT	ZINC DIE CAST	BLACK
11	INSERT	TPE	YELLOW
12	CONTACT	BRASS	GOLD OVER NICKEL

CABLE LENGTH TOLERANCES

LENGTH [m]	TOLERANCE [mm]
0-1	+40
>1-5	+60
>5-10	+80
>10-20	+140
>20-30	+160
>30	+1% length

FUNCTIONAL SYMBOLS $\nabla/A = 0$ $\nabla/E = 0$ $\nabla/Z = 0$	THIS DRAWING CONTAINS INFORMATION THAT IS PROPRIETARY TO MOLEX ELECTRONIC TECHNOLOGIES, LLC AND SHOULD NOT BE USED WITHOUT WRITTEN PERMISSION DIMENSION UNITS: mm SCALE: 1:1 GENERAL TOLERANCES (UNLESS SPECIFIED) ANGULAR TOL $\pm 1.0^\circ$ 4 PLACES \pm 3 PLACES \pm 2 PLACES ± 0.05 1 PLACE ± 0.3 0 PLACES ± 0.5	CURRENT REV DESC: BOM UPDATED EC NO: 695129 DRWN: RSCHIEBER CHK'D: RSILLER APPR: RSILLER INITIAL REVISION: DRWN: SSM APPR: RSILLER	2022/02/07 2022/02/09 2022/02/09 2019/01/14 2020/01/17	
	PRODUCT CUSTOMER DRAWING DOCUMENT NUMBER: 1202510109 DOC TYPE: PSD DOC PART: 000 REVISION: A2	MPIS U12 NOS 5P 4PT 0.3M MC 19P BK	MATERIAL NUMBER: SEE TABLE 1 CUSTOMER: GENERAL MARKET SHEET NUMBER: 2 OF 2	