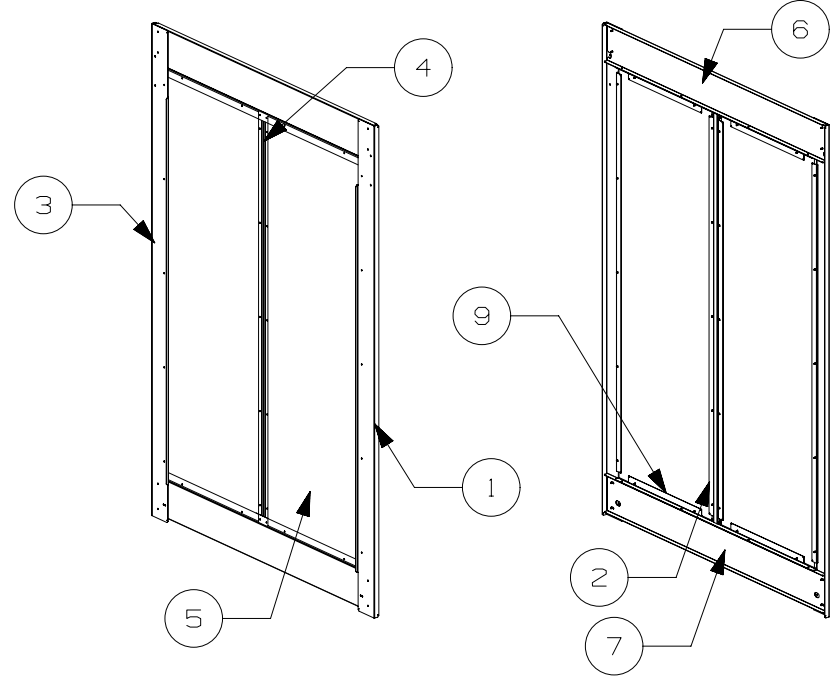


THIS COPY IS PROVIDED ON A RESTRICTED BASIS AND IS NOT TO BE USED IN ANY WAY DETRIMENTAL TO THE INTERESTS OF PANDUIT CORP.

CUEOR12CP EOR CAP 1200mm

NOTES:  
1. IDENTIFICATION: EOR CAP 1200mm

PART NO.  
CUEOR12CPB1 - BLACK  
CUEOR12CPW1 - WHITE  
CUEOR12CPG1 - GRAY



NO.	DESCRIPTION	QTY
1	LEFT VERTICAL BRACE	01
2	PANEL CLAMP	04
3	RIGHT VERTICAL BRACE	01
4	VERTICAL PANEL SUPPORT	01
5	EOR POLYCARBONATE PANEL 1200	02
6	TOP HORIZONTAL BRACE ASSY 1200	01
7	BOTTOM HORIZONTAL BRACE ASSY 1200	01
8*	HARDWARE KIT 900/1200	01
9	HORIZONTAL PANEL CLAMP	04

BILL OF MATERIAL NOTES:  
\* PARTS NOT ASSEMBLED, INCLUDED WITH KIT.

REV	DATE	BY	CHK	APR	DESCRIPTION	ECN
00C	11/3/17	LEE	PATR	SJP	C. REMOVED SHT'S 1 & 2 FOR 900mm PART CUEOR09CP**	V09001MH
00B	04-20-16	SSP	PATR		B. ADDED SHEETS 2, 4, AND 6 TO SHOW DIMENSIONING A. CORRECTED PAINT CODE FOR WHITE VERSION, WAS W9	V09000HE/01
00A	9-18-14	TWV	PATR		RELEASED TO PRODUCTION	V09000HE

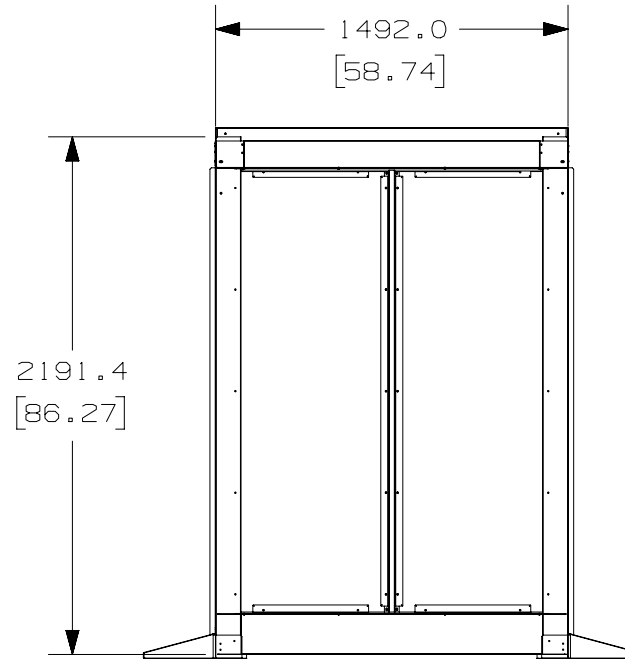
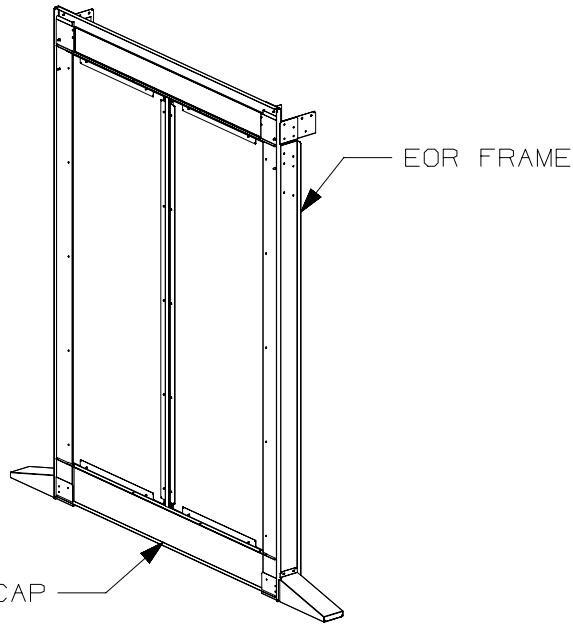
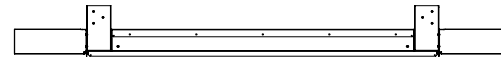
TITLE		UAC END OF ROW CAP FAMILY CUSTOMER DRAWING	
CUSTOMER DRAWING			
ITEM REVISION NAME	14V447CA/00	<b>PANDUIT</b>	
DATASET FILE NAME	14V447CA_DC/00C		
MATERIAL:		N/A	
DRAWING NUMBER:		14V447CA-DC	
DRAWN BY	DATE	CHK	SCALE
TWV	9-18-14	PATR	NONE
THIRD ANGLE PROJECTION		SHT 1 OF 4	
		SIZE	
		A	

2

1

THIS COPY IS PROVIDED ON A RESTRICTED BASIS AND IS NOT TO BE USED IN ANY WAY DETRIMENTAL TO THE INTERESTS OF PANDUIT CORP.

CUEOR12CP EOR CAP 1200mm  
ON EOR FRAME



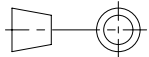
B

B

A

A

REV	DATE	BY	CHK	APR	DESCRIPTION	ECN
00C	11/3/17	LEE	PATR	SJP	SEE SHEET ONE FOR REVISIONS	V09001MH
00B	04-20-16	SSP	PATR		SEE SHEET ONE FOR REVISIONS	V09000HE/01
00A	9-18-14	TWV	PATR		SEE SHEET ONE FOR REVISIONS	V09000HE

TITLE				UAC END OF ROW CAP FAMILY CUSTOMER DRAWING			
CUSTOMER DRAWING							
ITEM REVISION NAME		14V447CA/00		<b>PANDUIT</b>			
DATASET FILE NAME		14V447CA_DC/00C					
MATERIAL:				N/A			
DRAWING NUMBER:				14V447CA-DC			
DRAWN BY	DATE	CHK	SCALE	THIRD ANGLE PROJECTION			
TWV	9-18-14	PATR	NONE				
SHT 2 OF 4			A				

2

1

THIS COPY IS PROVIDED ON A RESTRICTED BASIS AND IS NOT TO BE USED IN ANY WAY DETRIMENTAL TO THE INTERESTS OF PANDUIT CORP.

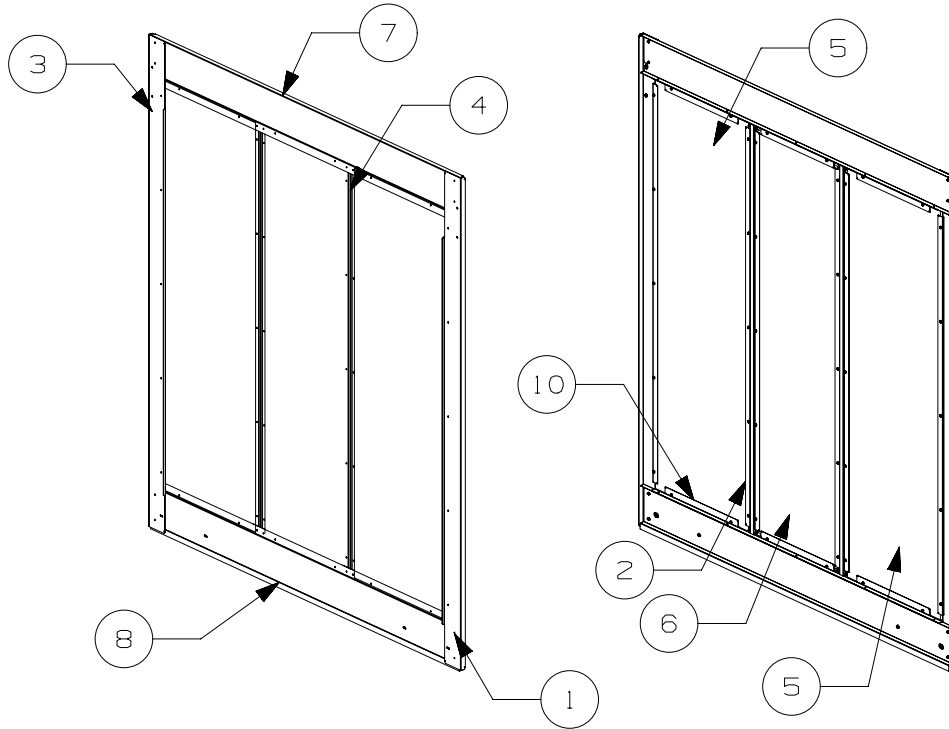
NOTES:

1. IDENTIFICATION: EOR CAP 1800mm

CUEOR18CP EOR CAP 1800mm

PART NO.

- CUEOR18CPB1 - BLACK
- CUEOR18CPW1 - WHITE
- CUEOR18CPG1 - GRAY



NO.	DESCRIPTION	QTY
1	LEFT VERTICAL BRACE	01
2	PANEL CLAMP	06
3	RIGHT VERTICAL BRACE	01
4	VERTICAL PANEL SUPPORT	02
5	EOR POLYCARBONATE PANEL 1200	02
6	EOR CENTER POLYCARBONATE PANEL	01
7	TOP HORIZONTAL BRACE ASSY 1800	01
8	BOTTOM HORIZONTAL BRACE ASSY 1800	01
9*	HARDWARE KIT 1800	01
10	HORIZONTAL PANEL CLAMP	06

BILL OF MATERIAL NOTES:

\* PARTS NOT ASSEMBLED, INCLUDED WITH KIT.

REV	DATE	BY	CHK	APR	DESCRIPTION	ECN
00C	11-3-17	LEE	PATR	SJP	SEE SHEET ONE FOR REVISIONS	V09001MH
00B	04-20-16	SSP	PATR		SEE SHEET ONE FOR REVISIONS	V09000HE/01
00A	9-18-14	TWV	PATR		SEE SHEET ONE FOR REVISIONS	V09000HE

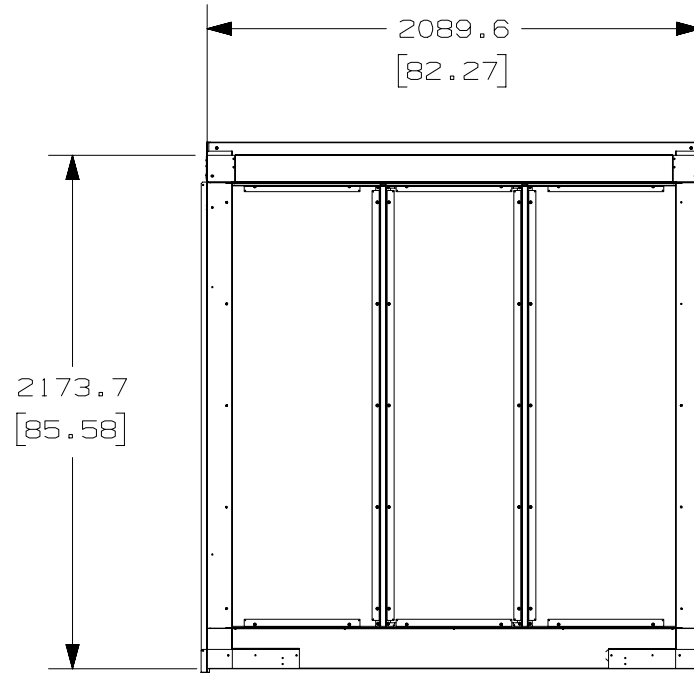
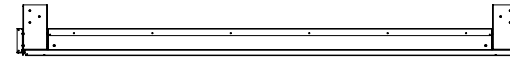
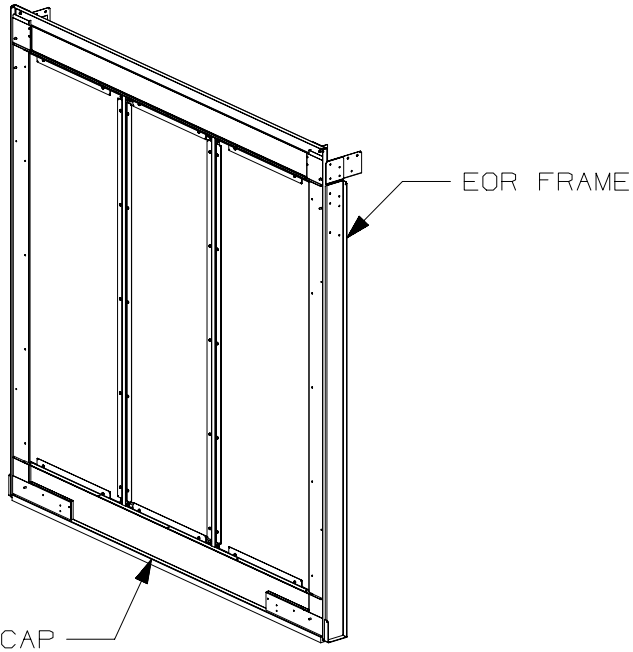
TITLE		UAC END OF ROW CAP FAMILY CUSTOMER DRAWING	
CUSTOMER DRAWING			
ITEM REVISION NAME	14V447CA/00	<b>PANDUIT</b>	
DATASET FILE NAME	14V447CA_DC/00C		
MATERIAL:		N/A	
DRAWING NUMBER:		14V447CA-DC	
DRAWN BY	DATE	CHK	SCALE
TWV	9-18-14	PATR	NONE
THIRD ANGLE PROJECTION		SHT 3 OF 4	
		SIZE	
		A	

2

1

THIS COPY IS PROVIDED ON A RESTRICTED BASIS AND IS NOT TO BE USED IN ANY WAY DETRIMENTAL TO THE INTERESTS OF PANDUIT CORP.

CUEOR18CP EOR CAP 1800mm  
ON EOR FRAME



B

B



A

A

REV	DATE	BY	CHK	APR	DESCRIPTION	ECN
00C	11/3/17	LEE	PATR	SJP	SEE SHEET ONE FOR REVISIONS	V09001MH
00B	04-20-16	SSP	PATR		SEE SHEET ONE FOR REVISIONS	V09000HE/01
00A	9-18-14	TWV	PATR		SEE SHEET ONE FOR REVISIONS	V09000HE

TITLE				UAC END OF ROW CAP FAMILY CUSTOMER DRAWING			
ITEM REVISION NAME				CUSTOMER DRAWING			
DATASET FILE NAME				14V447CA/00		<b>PANDUIT</b>	
				14V447CA_DC/00C			
MATERIAL:				N/A			
DRAWING NUMBER:				14V447CA-DC			
DRAWN BY		DATE		CHK		SCALE	
TWV		9-18-14		PATR		NONE	
SHT 4 OF 4				A			

2

1

