

1

2

3

4

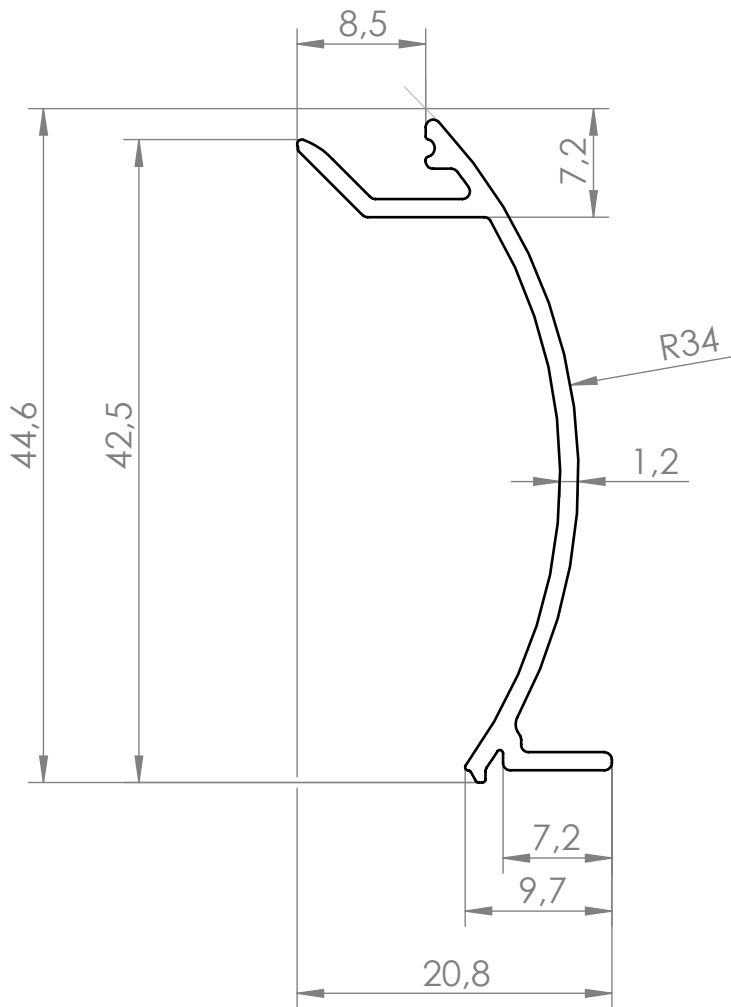
A

B

C

D

E



K2 Systems GmbH
 Industriestr. 18
 71272 Renningen
 Germany
 +49 7159 42059-0

Designation:

Data sheet
 InsertionRail 2.0 40 Cover
 Black

F

	Name	Date	Material:	Item no.:	2004338	A4
Designed	E. Markou	21.04.2023	EN AW 6063 T66			
Approved	M. Aydemir	21.04.2023	Surface: anodised	Drawing no.:	04-191-00	All dimensions in mm
Last change			Weight: ca. 229 g/m	Scale: 2:1		Sheet 1 of 1

This drawing is the sole property of K2 Systems GmbH. It is protected by copyright and may only be copied, reproduced or distributed to a third party with explicit permission!