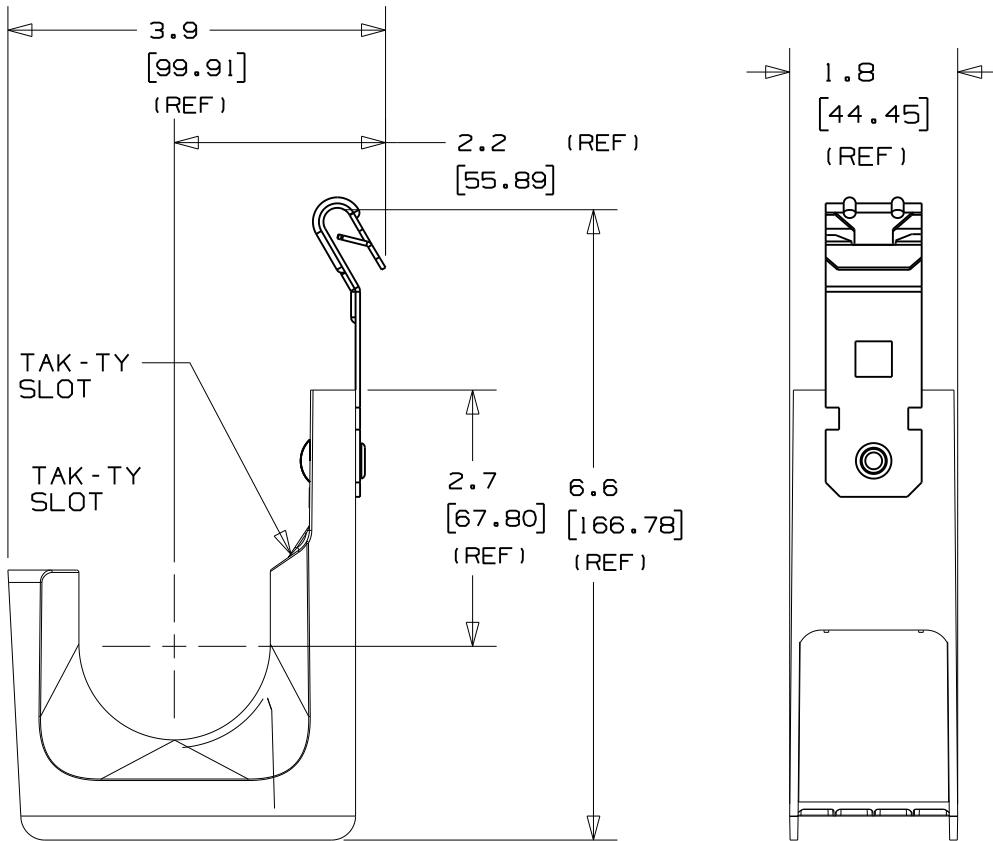
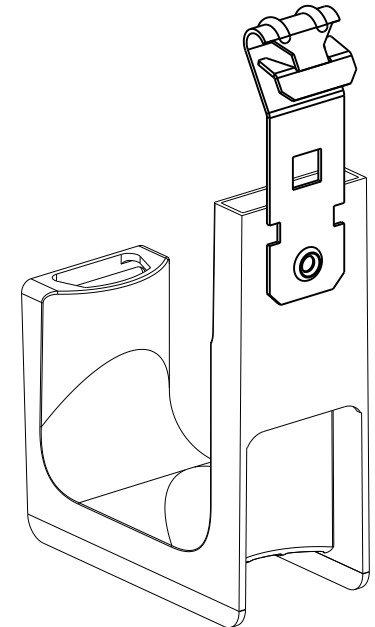


THIS COPY IS PROVIDED ON A RESTRICTED BASIS AND IS NOT TO BE USED IN ANY WAY DETRIMENTAL TO THE INTERESTS OF PANDUIT CORP.



| PANDUIT PART NO. | FLANGE THICKNESS | WEIGHT lbs 10 (g) pcs |
|------------------|--------------------------------|-----------------------------|
| JP2ZP- ---- | 0.0625 (1.58) - 0.25 (6.35) | 1.58 (720.0) |



NOTES:

- SEE CURRENT PRICE SHEET FOR PART NUMBER SUFFIX DESIGNATION FOR PACKAGE SIZE AND PRODUCT COLOR.
- HOOK MATERIAL: NYLON 6/6,
CLIP MATERIAL: SPRING STEEL
RIVET MATERIAL: ALUMINUM
- PRODUCT IS DESIGNED TO SUPPORT A MAXIMUM OF 2" (50.8) DIAMETER BUNDLE. MAXIMUM RECOMMENDED STATIC LOAD: 30 lbs.
- PRODUCT INCORPORATES FEATURES ALLOWING USER TO RETAIN CABLE BUNDLES IN J-PRO J-HOOK WITH TAK-TY CABLE TIES UP TO 3/4" WIDE.
- PRODUCT MARKINGS:
cULus logo and statement:
"SUITABLE FOR USE IN AIR HANDLING SPACES IN ACCORDANCE WITH SECTION 300-22 (C) & (D) OF THE NATIONAL ELECTRIC CODE."
ULC logo and statement:
"IN ACCORDANCE WITH CAN/ULC S-102.2 IN SINGLE UNITS OR PAIRS, 4 ft (1220mm) MIN. SPACING, FSR=0, SDC=20."

| | |
|---|---|
| DIMENSIONS IN BRACKETS ARE METRIC [mm] | |
| CAD FILENAME/LAYERS 10K016BN_DC_GB2888FG/01A | |
| | |
| TINLEY PARK, ILLINOIS | |
| J-PRO J-HOOK WITH Z-PURLIN CLIP (JP2ZP- ---) | |
| UNLESS OTHERWISE SPECIFIED, DIMENSIONAL TOLERANCES ARE: (.X) ±0.05 (1.3) (.XXX) ±0.010 (0.25) (.XX) ±0.02 (0.5) ANGLES ± 5° | UNLESS OTHERWISE SPECIFIED, ALL DIMENSIONS ARE GIVEN IN INCHES, THIRD ANGLE PROJECTION. |
| DRAWN BY JAD MAT'L: | SCALE NONE |
| DATE 4/7/04 | SEE NOTE 2 |
| CHK'D KLN | DWG SIZE GB2888FG A |

| REV | DATE | BY | CHK | DESCRIPTION | ECN | R | CUST | SUP | OC |
|-----|----------|-----|-----|---|----------|-----|------|-----|----|
| O1A | 10/26/10 | APW | DJW | REVISED DIMENSIONS, UPDATED TO TEAMCENTER FORMAT | GB2888FG | O1A | KLN | | |
| 1 | 12/14/05 | JAD | | COMPLETELY REVISED, RE-RELEASED WITH NEW GEOMETRY | GB2888FG | 1 | | | |