

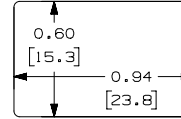
THIS COPY IS PROVIDED ON A RESTRICTED BASIS AND IS NOT TO BE USED IN ANY WAY DETRIMENTAL TO THE INTERESTS OF PANDUIT CORP.



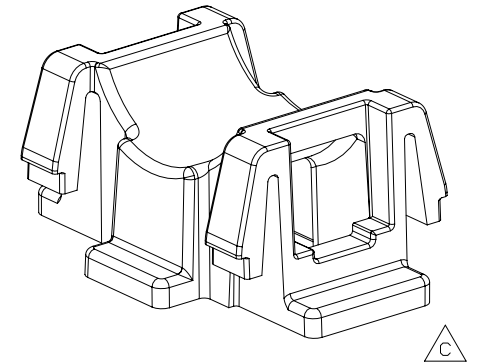
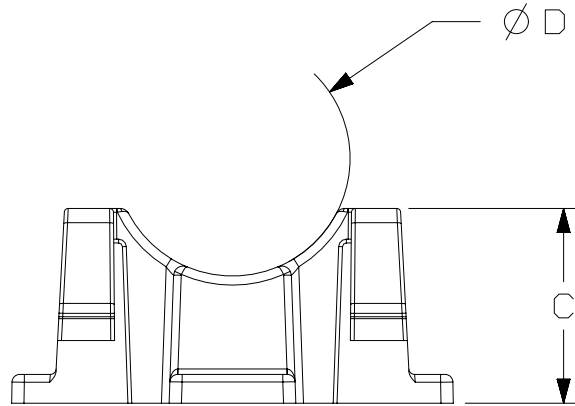
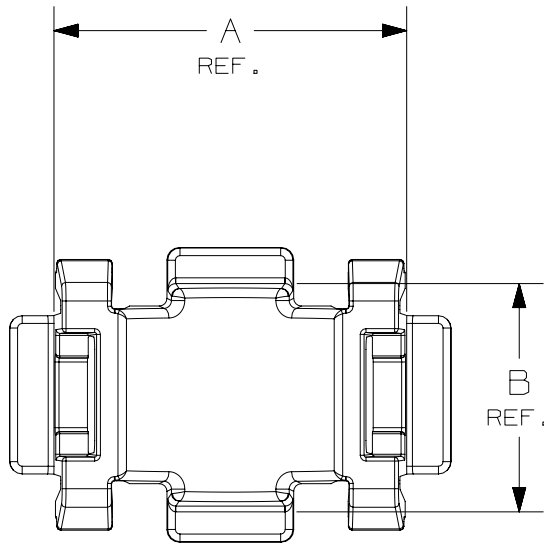
PART NUMBER	USE WITH CABLE TIES	DIMENSIONS				WEIGHT grams/100pcs
		A	B	C	D	
TCM1X63-D350	M, I, S, LH	0.91 (23.1)	0.57 (14.5)	0.50 (12.7)	0.60 (15.2)	185

NOTES:

- THIS MOUNT IS DESIGNED TO SEAT WITHIN A USER SUPPLIED BRACKET OR PANEL.
APPLICATION SPECIFICATION:
a. POCKET / CUTOUT DIMENSIONS: 0.94" X 0.60" (23.8mm X 15.3mm); Allowable Tolerance: -0.01" (-.25mm) to +0.03" (+.76mm)
b. BRACKET / PANEL THICKNESS: 0.08"-0.12" (2.0 mm - 3.0mm)



- DIMENSIONAL VARIANCE IS POSSIBLE DUE TO MOLDING PROCESS RELATED SINK MARKS.



REV	DATE	BY	CHK	APR	DESCRIPTION	ECN
02B	8-28-23	MSAN	MDS	DJSL	I. ADDED TOLERANCE RANGE FOR CUT-OUT TO NOTE 1.	
02A	7-21-23	MDS	DAEI	DJSL	H. CHANGED DIM D TO 0.60 FROM 0.61	1006739/02
01A	6-22-23	MDS	DAEI	DJSL	G. UPDATED DIM A, B, C & D.	1006739/01
00D	4-24-23	MDS	DAEI	DJSL	F. MODIFIED NOTES & ADDED CUTOUT VIEW E. REMOVED "H" FROM USE WITH CABLE TIES COLUMN	1006739/00
00C	2-24-21	DJSL	DAEI	ALP	D. UPDATED CABLE TIES, DIM C AND WEIGHT C. GEOMETRY UPDATE	
00B	2-11-21	DJSL		ALP	B. UPDATED DIMENSIONS FOR NOTE 2. A. UPDATED DIM A & B AND WEIGHT.	
00A	2-3-21	DJSL		ALP	DRAWING RELEASED	

TITLE						PUSH-IN CRADLE MOUNT					
ITEM REVISION NAME						CUSTOMER DRAWING					
00887EAA/02											
DATASET FILE NAME						00887EAA_DC/02B					
UNLESS OTHERWISE SPECIFIED, DIMENSIONAL TOLERANCES ARE: IN (mm)						MATERIAL: NYLON 6.6 HEAT STABLE WEATHER RESISTANT IMPACT MODIFIED					
.x ± .1 [2.54] .xxx ± .005 [.127]						DRAWING NUMBER: 00887EAA_DC					
.xx ± .01 [.25] ANGLES ± 1°						THIRD ANGLE PROJECTION					
DRAWN BY		DATE		CHK		SCALE		SHT 1 OF 1		SIZE	
DJSL		2/3/21				2:1				A	