

INSTRUCTIONS V00029AJ - Rev. 01

© Panduit Corp. 2013

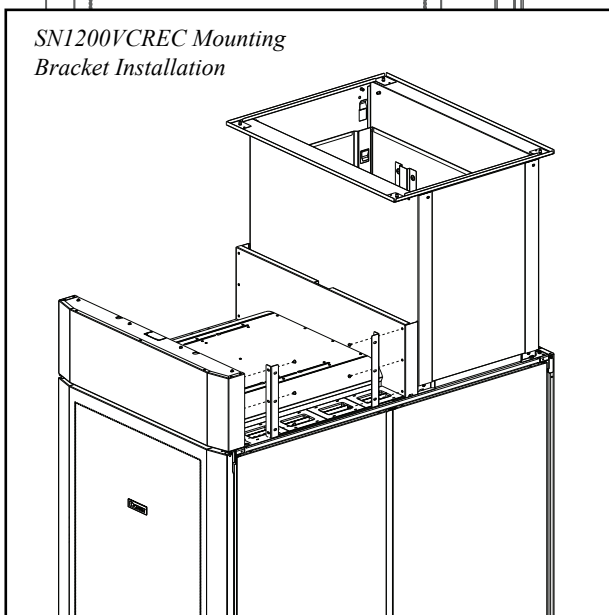
End of Row Panel - Mounting Bracket Installation

- Install [2] End of Row Mounting Brackets to front and rear vertical walls of Top of Cabinet Cable Manager

- Install -
[6] M5 Torx Screws
(use T25 Torx bit)

[2] End of Row
Mounting Brackets

SN1200VCREC Mounting
Bracket Installation



End of Row Panel - Mounting Bracket Installation

- Install End of Row Panel to mounting brackets with [6] Wing Nuts and Lock Washers (insert threaded studs through mounting brackets)

