

Fiche produit

Article n° 02.126.6800.8

contact femelle 2,5/14

Article n°	02.126.6800.8
EAN	4049088213311
Unité de commande	100 Piece(s)

certificats/approbations

Données techniques

général

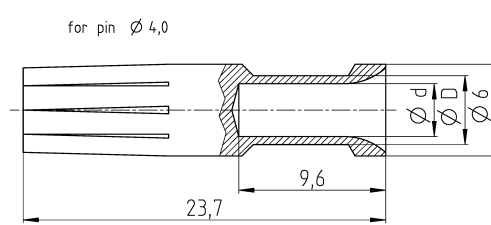
Model	raccordement bus
section du conducteur souple Min.	2,5 mm ²
section du conducteur souple Max.	2,5 mm ²
diamètre Min. du câble souple UL/CSA	14 AWG
diamètre Max. du câble souple UL/CSA	14 AWG
Type de connexion	Crimp
matériel	Cuivre
Diamètre du contact	4 mm
Surface	Plaqué argent

Dessin technique

2nd: No drawings will be specific (sheet or delivery)
 3rd: No drawings will be specific (sheet or delivery)
 4th: No drawings will be specific (sheet or delivery)
 5th: No drawings will be specific (sheet or delivery)

Attention: See development sheet (blanket), drawing or printing
 for the necessary dimensions and tolerances of the drawing as well as the
 construction of its parts in order to obtain correct interpretation of profile.

for pin $\varnothing 4,0$



zugehöriges Werkzeug/associated tool
 Crimpbacken/crimp die "H": 05.502.5000.0
 Kontaktaufnahmel/contact positioner "6": 05.502.5200.0

VPE: 100
 packing unit: 100

Bestell-Nr. order - no.	Querschnitt cross section mm ²	AWG	d	D	Oberfläche surface
02.126.6700.7	1,5	16	1,75	3,0	vergoldet gold-plated
02.126.6700.8					versilbert silver-plated
02.126.6800.7	2,5	14	2,25	3,5	vergoldet gold-plated
02.126.6800.8					versilbert silver-plated
02.126.6900.7	4,0	12	2,85	3,9	vergoldet gold-plated
02.126.6900.8					versilbert silver-plated
02.126.7000.7	6,0	10	3,5	5,0	vergoldet gold-plated
02.126.7000.8					versilbert silver-plated

Weitere Daten siehe KATALOG oder eKatalog
 additional data see CATALOG or eCATALOG

www.wieland-electric.com
eshop.wieland-electric.com

Tolerierung Size ISO 14405 © / Tolerance system Size ISO 14405 ©. jstyes Stoffverfalls- und Deklarationsliste nach DIN 50010 ist enthalten
 (This ISO-standard describes the envelope principle. According to the envelope principle the deviations of form and position are limited by the size tolerances) (Conformity with Wieland document MW 50010 is a list of prohibited / degradable hazardous substances to be declared)

Freitoleranz nach General tolerance DIN ISO 2768 - m AD - Zeichnung, keine manuellen Änderungen Verwendung Blatt: 4 von 1
 (AD - drawing, no manual modifications allowed) (first use) Sheet: 1 of 1

	Werkstoff / Material	Reg/Dat	Name	Zeichnung Nr. / Drawing No.	Index
		21.04.2020	Dutsch	T 02.126.6700.7 13K	-

Maße in mm / Dimensions are in mm

BUCHSENKONTAKT

Crimpanschluss
FEMALE CONTACT - crimp connection

02_126_6700_7_13K-AA-dwg1_main_1 CADW4031 Quetsch 2020-04-22T09:27:42 .000 3 4 5 6 QU-MEE-01/14_a