

ECLISSE EDS  
EDS SPLICE

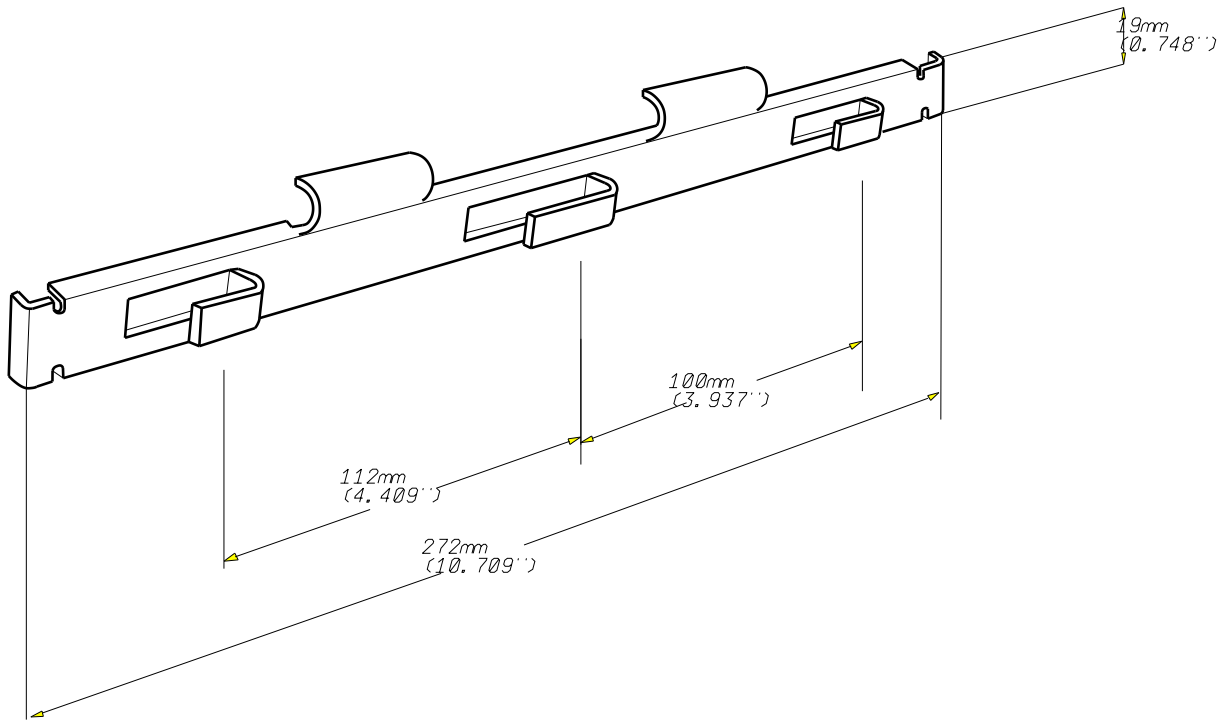
GS  
PREGALV.



CABLE  
MANAGEMENT

FT0073-0

04-16



REF	CODE	POIDS <sub>(kg)</sub>	WEIGHT <sub>(lb)</sub>
EDS	558 270	0.120	0.265

EPAISSEUR / THICKNESS	2 (0.08'')	NORMES / STANDARD	
MATIERE / MATERIAL	DX 51 D Z275 MAC		EN 10346
PROTECTION / COATING	GS / PREGALV.		