

## TECHNICAL DATA

Product type \_\_\_\_\_ XLR \_\_\_\_\_

Product NO. \_\_\_\_\_ **MK3F2C** \_\_\_\_\_

### **MK3F2C**      **Product Appearance**



### **Product features**

- All metal housing offers best overall protection
- Duplex ground contact
- Optional connection to easily join pin 1 to chassis ground
- Standard D mounting dimensions

**Technical parameters****1. Electrical parameters**

Capacitance between contacts	$\leq 4\text{pF}$
Contact resistance	$\leq 5\text{m}\Omega$
Dielectric strength	1500V DC
Insulation resistance	$> 10\text{G}\Omega$ (initial)
Rated current per contact	16A
Rated voltage	$< 50\text{V}$

**2. Mechanical parameters**

Insertion force	$\leq 20\text{N}$
Withdrawal force	$\leq 20\text{N}$
Service life	$> 1000$
Locking device	Latch lock
Chassis shape	D

**3. Material and environmental parameters**

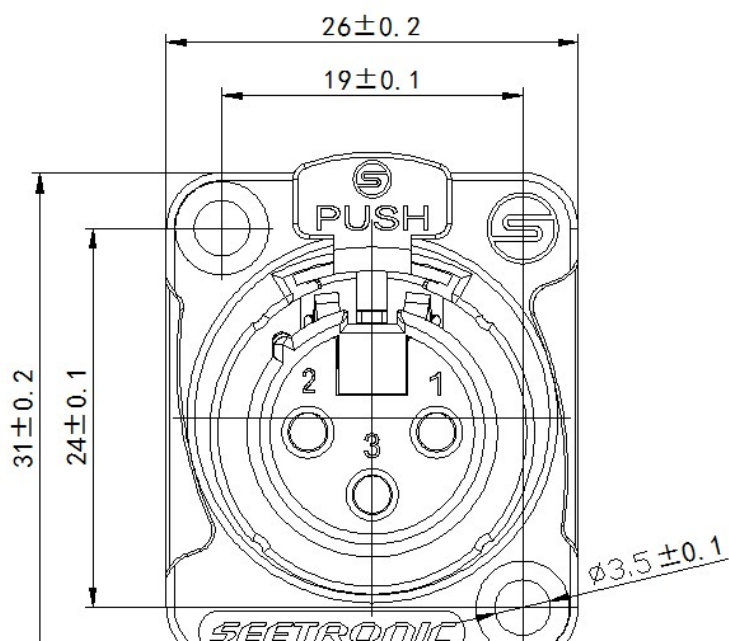
Contact plating	Sn Plated
Contacts	Copper alloy
Insert	Polyamide (PA66 +30%GF)
Shell	Zinc diecast (ZnAl4Cu1)
Shell plating	Pearl chrome
Flame-retardant grade	UL94 V0
Protection class	IP 40

Solderability	Complies with IEC 68-2-20
Temperature range	-30°C to +80°C

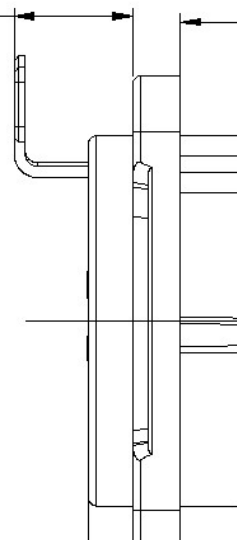
#### 4. Standard

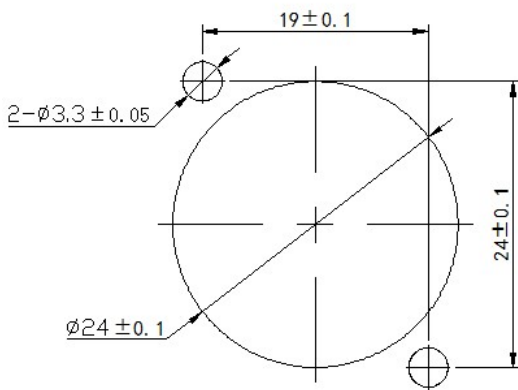
Standard	IEC 61076-2-103
----------	-----------------

#### (Product Profile)



7.5 (自由状态)  
按压行程2.4mm





: mm

### (Installation instructions)

(Panel mount) : Front and rear