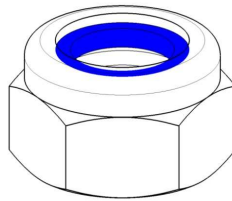


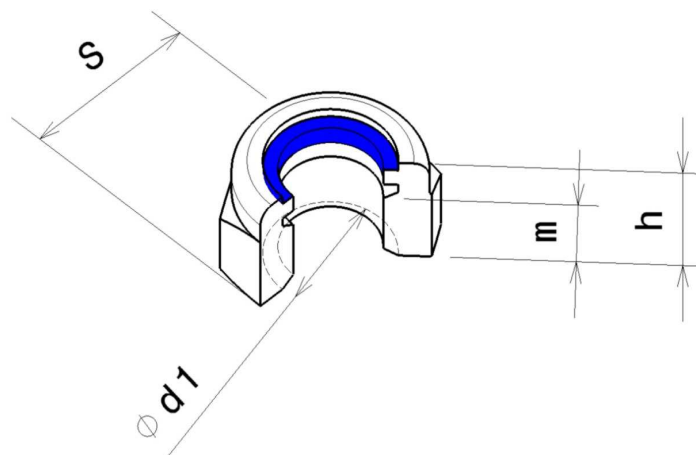
EHMF8 DC

Reference(s) : 801 243


1 RANGE

| Designation | Ref | TYPE | STELL | STANDARD | Norme Standard | Finition Coating |
|-------------|---------|------------|-------|-----------|----------------|------------------|
| EHMF8 DC | 801 243 | NFE 25-412 | 06 | ISO 898-2 | Zinc Nickel | NiZn |

Dimensions :



| Designation | Ref | d1 (mm/inch) | m (mm/inch) | h (mm/inch) | S (mm/inch) | Colisage Packing | Masse/Weight (Kg/u / Lb/u) |
|-------------|---------|-----------------|----------------|----------------|----------------|---------------------|-------------------------------|
| EHMF8 DC | 801 243 | M8 | 4,6 / 0.18 | 8,8 / 0.34 | 13 / 0.50 | 100 | 0,475 / 1,047 |