



Product designation	Enclosed switch disconnecter		
Product type designation	GAZ...DT...		
Number of poles	Nr.	2	
Operating voltage type		DC	
Contact characteristics			
IEC Conventional free air thermal current I _{th}	A	40	
Rated insulation voltage U _i IEC/EN	V	1500	
Rated impulse withstand voltage U _{imp}	kV	8	
Operating current I _e			
DC21A			
	600V	A	40
	800V	A	40
	1000V	A	40
	1200V	A	32
	1500V	A	25
DC21B			
	600V	A	40
	800V	A	40
	1000V	A	40
	1200V	A	32
	1500V	A	25
DCPV1			
	Operating current I _e 600V	A	40
	Operating current I _e 800V	A	40
	Operating current I _e 1200V	A	32
	Operating current I _e 1500V	A	25
DCPV1			
	600V	A	40
	800V	A	40
	1200V	A	32
	1500V	A	25
Power dissipation per pole max	W	1.9	
Rated short time current (1s) I _{cw} (rms)	kA	0.5	
Mechanical life	cycles	10000	
Mechanical features			
Operating position	normal allowable	Vertical plan Any	
Terminals	type	Screw with washer	
	width	mm	5.6
	height	mm	6.5
	screw	M4	
	tool	Phillips 1	

Tightening torque for terminals

min	Nm	1.2
max	Nm	1.6
min	lbin	10
max	lbin	14

Conductor section

IEC min	mm ²	1
IEC max	mm ²	10
AWG/kcmil min		18
AWG/kcmil max		8

Ambient conditions

Operating temperature

min	°C	-25
max	°C	+55

Storage temperature

min	°C	-40
max	°C	+70

Max altitude

m	3000
---	------

Resistance & Protection

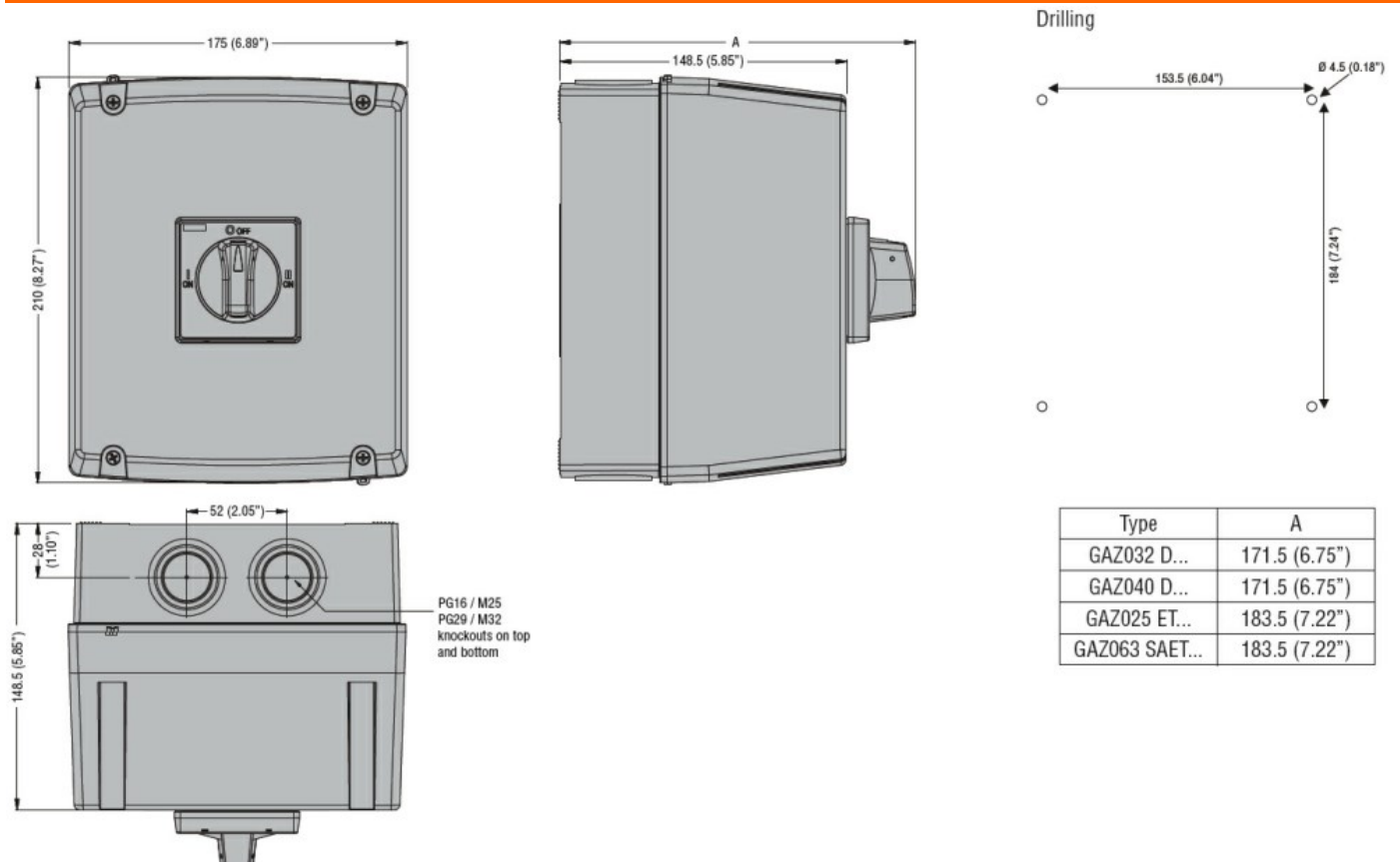
Frontal IP degree

IP65

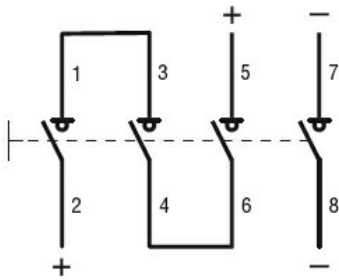
IP degree of protection

IP65

Dimensions



Wiring diagrams



Certifications and compliance

Compliance

IEC/EN 60947-1

IEC/EN 60947-3

Certifications

EAC

ETIM classification

ETIM 8.0

EC000216 -
Switch
disconnecter