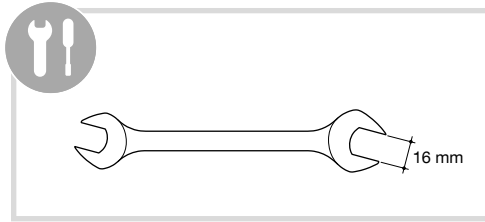


HWY00xH



DO

FIX

3P-4P

①

②

③

TEST

DO

FIX

HWY001H (3P)

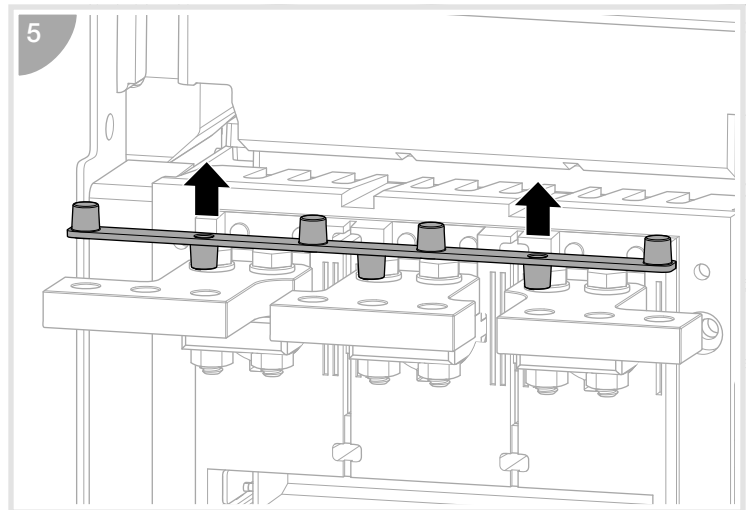
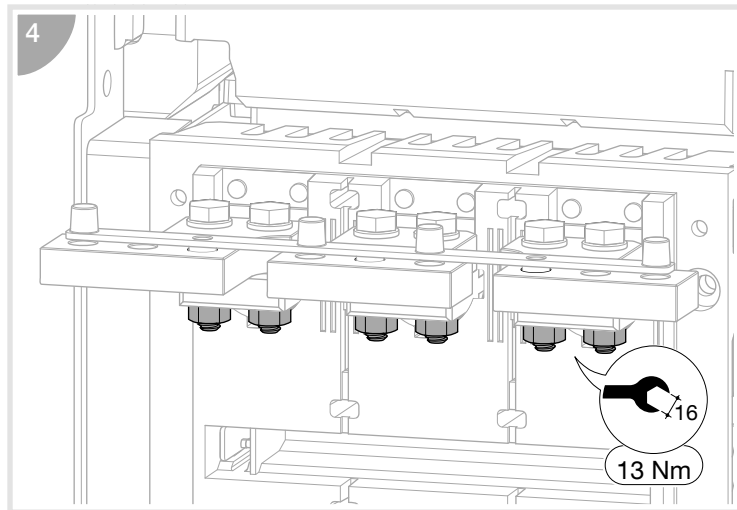
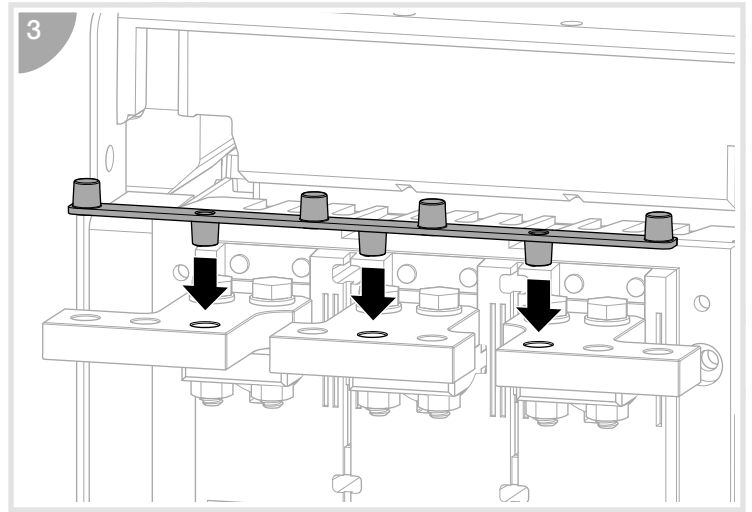
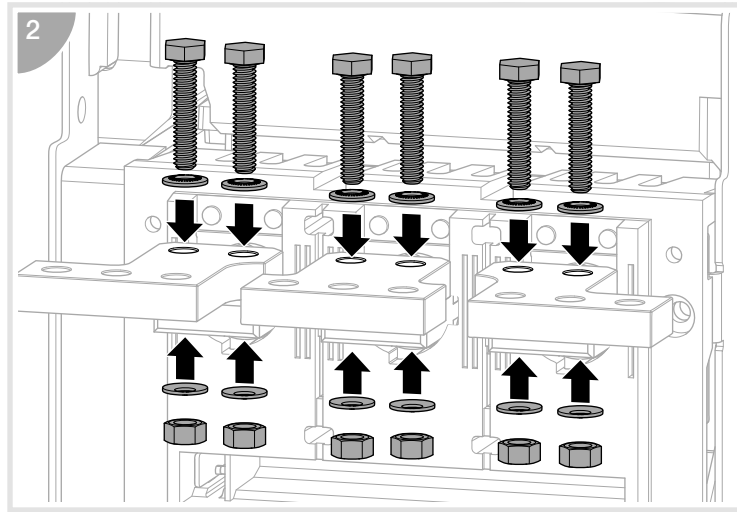
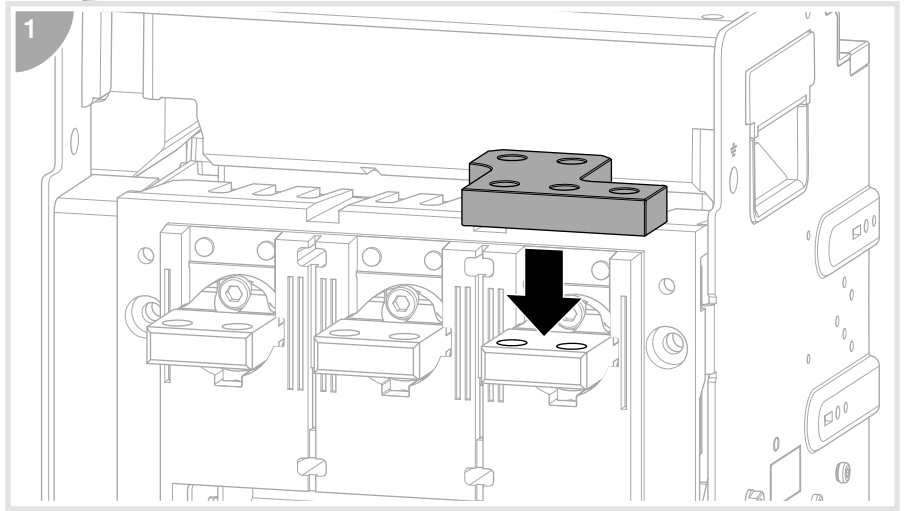
x1 x2 x6

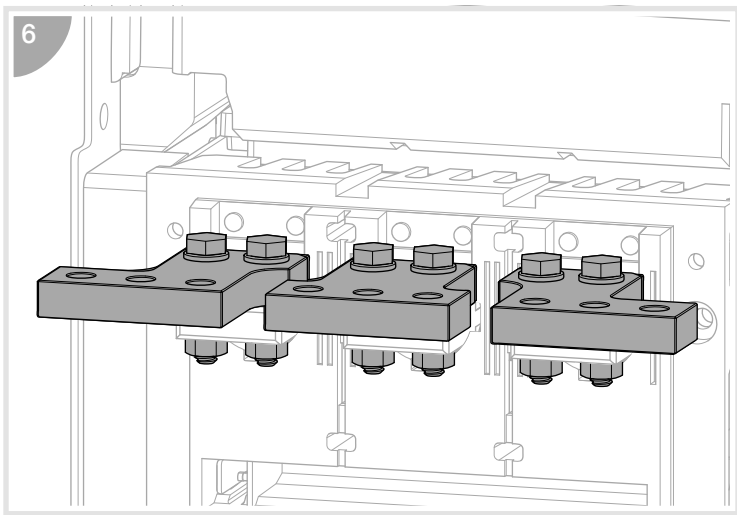
x12 x12 x6

HWY002H (4P)

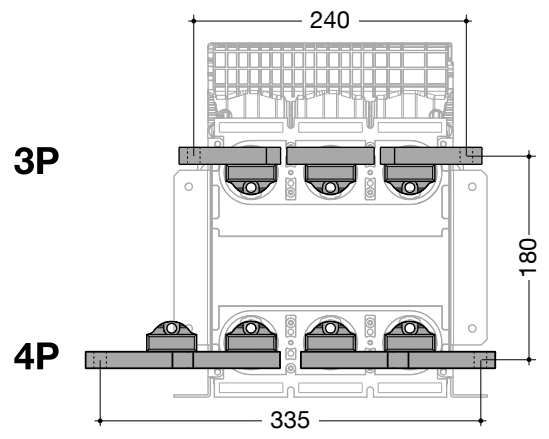
x2 x2 x8

x16 x16 x8

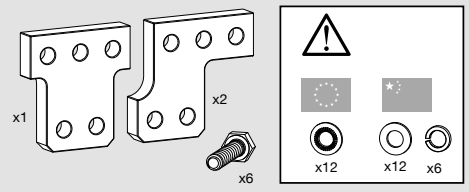




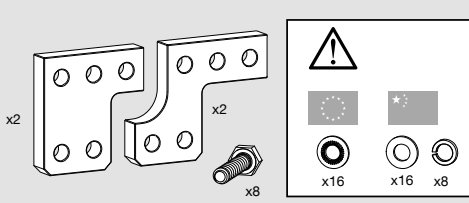
- DO
- 3P-4P
- FIX
- 3P-4P



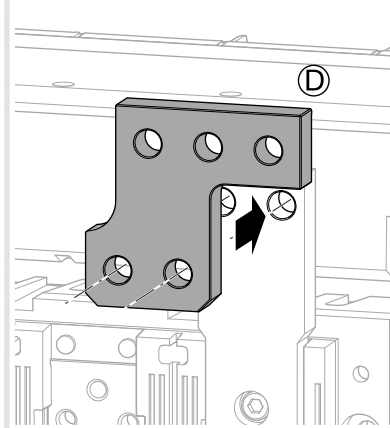
HWY001H (3P)



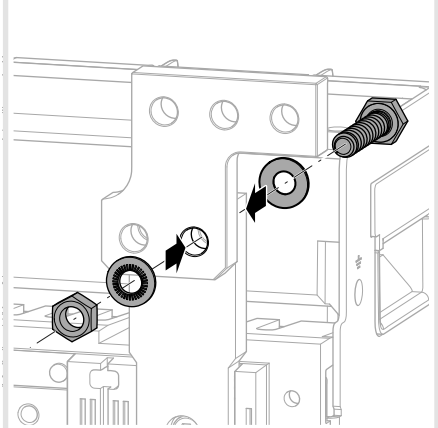
HWY002H (4P)



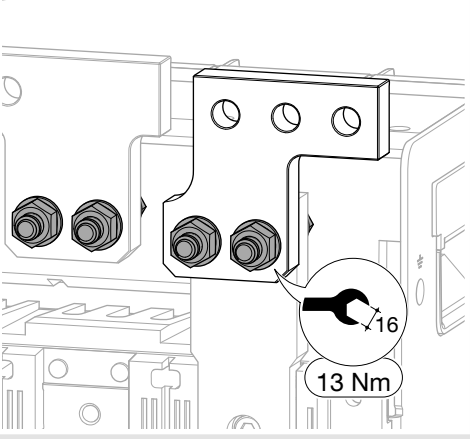
1



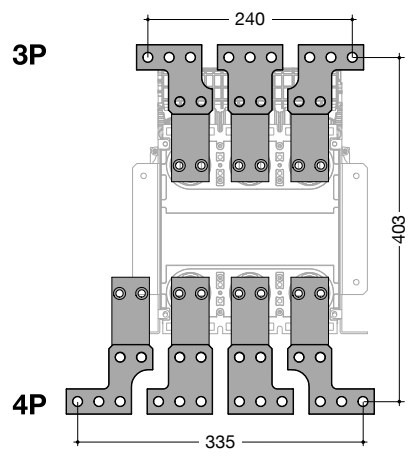
2



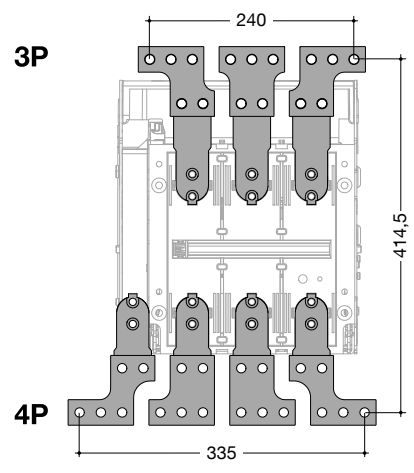
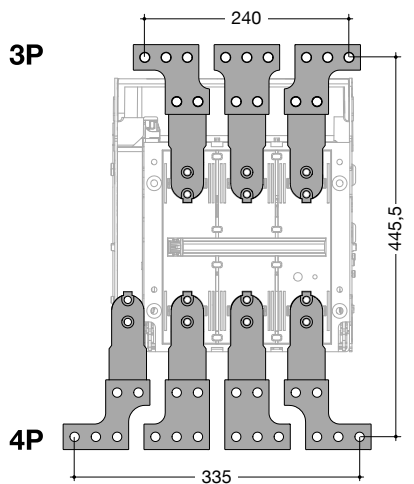
3



- FIX
- 3P-4P

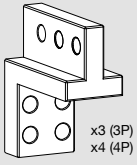


- DO
- 3P-4P





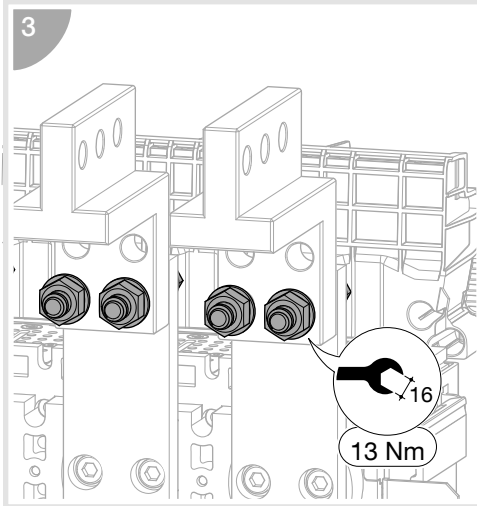
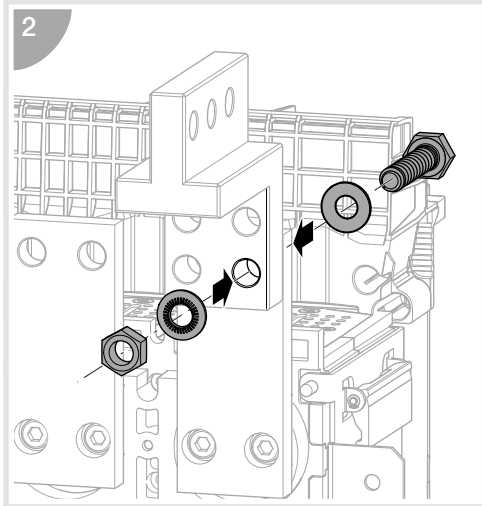
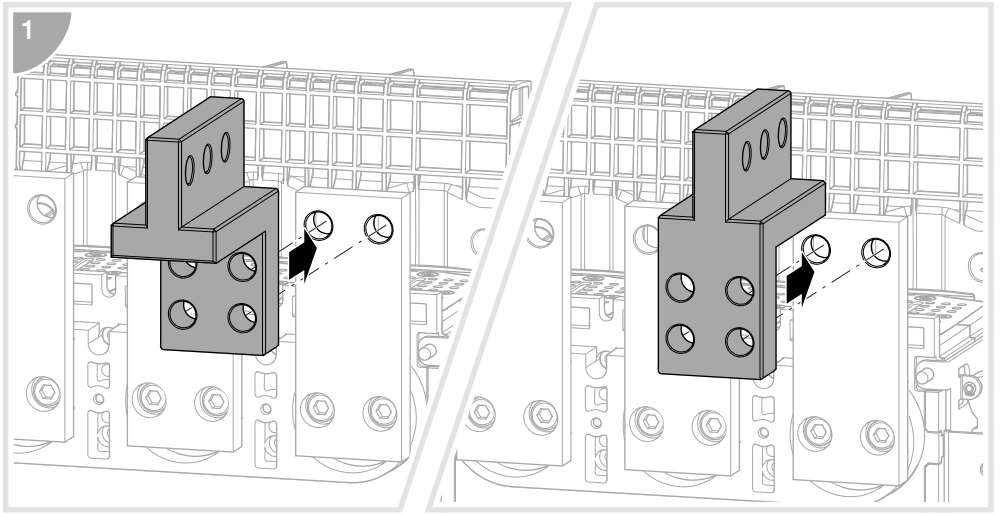
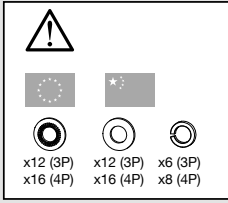
HWY005H (3P)
HWY006H (4P)



x3 (3P)
x4 (4P)

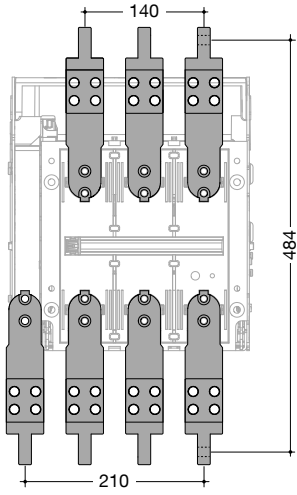


x6 (3P)
x8 (4P)

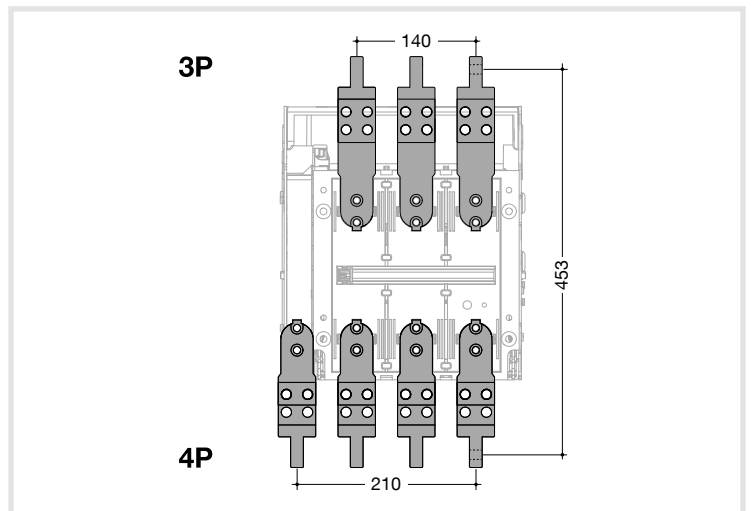


DO
3P-4P

3P

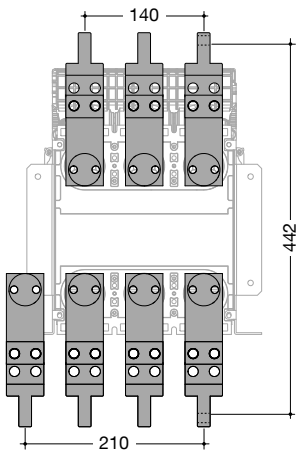


4P



FIX
3P-4P

3P



4P

