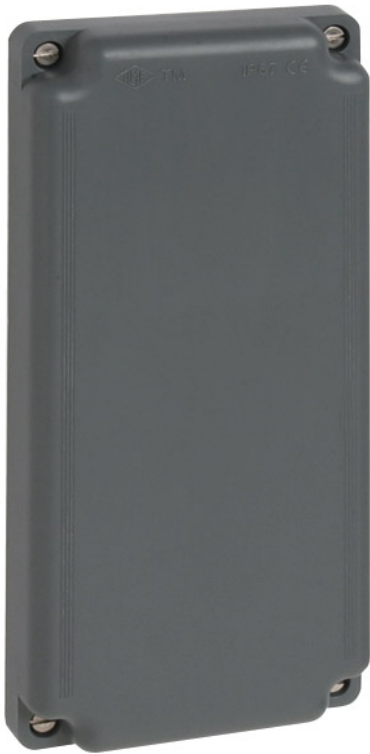


Part number

TM 1125 P



Cover, TM series, for single module

Product description

Product type	Cover
Series	TM
Size	Cover centre distance 114 x 255 mm
Specification	For single module

Technical data

IP degree of protection	IP66 / IP67
--------------------------------	-------------

Further technical details

Weight	220,00 g
Operating temperature range (min, max)	-25°C ... +40°C
IK rating (impact degree of protection)	IK10

Material properties

Colour	RAL 7012 grey
---------------	---------------

General ordering information

EAN13 code	8015747089302
-------------------	---------------

Packaging Information

Packaging length	270,00 mm
Packaging height	130,00 mm
Packaging width	135,00 mm
Packaging weight	1,10 kg
Packaging volume	4,74 dm ³
Packaging description	Carton box
Packaging quantity	5 Pcs
Packaging EAN code	8015747089319
Sub-packaging weight	0,22 kg
Sub-packaging description	Plastic packaging
Sub-packaging quantity	1 Pcs
Sub-packaging EAN barcode	8015747089326

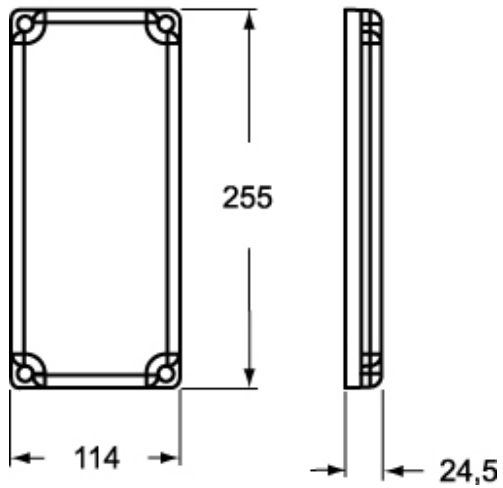
Part number

TM 1125 P



Catalogue drawings

TM 1125 P



Notes

Dimensions shown in mm are not binding and may be changed without notice.
