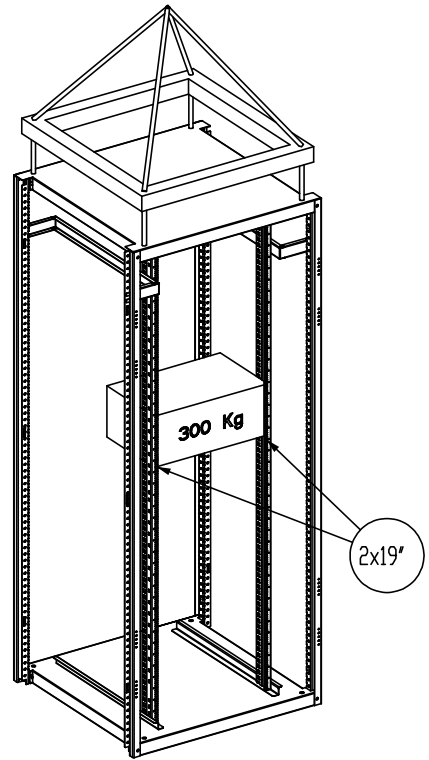
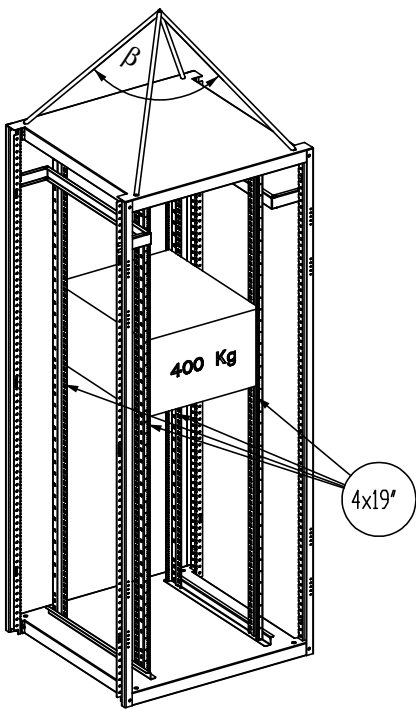


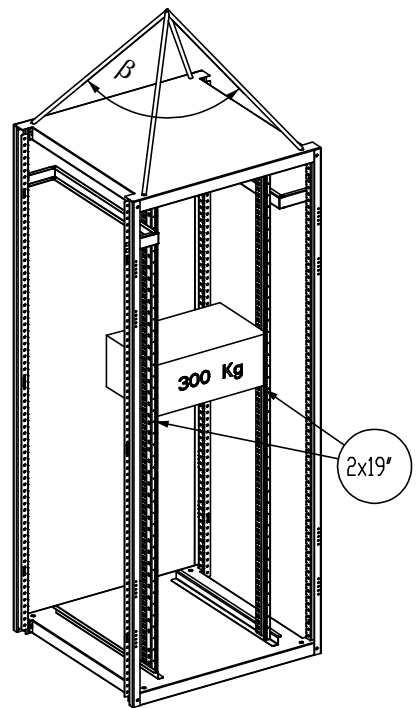
P=400 Kg ↓



↓ P=300 Kg



P=400 Kg ↓



↓ P=300 Kg

$0^\circ < \beta < 70^\circ$

ENNA05315 TA