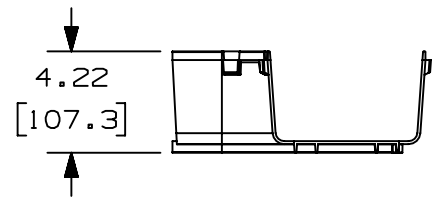
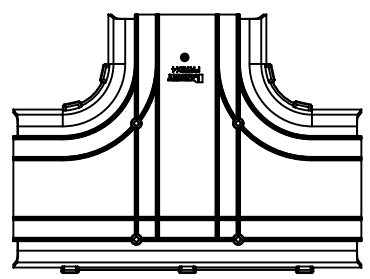
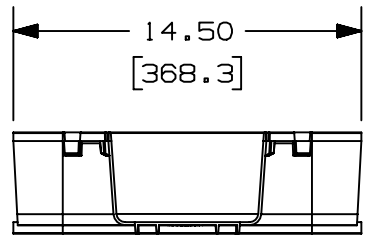
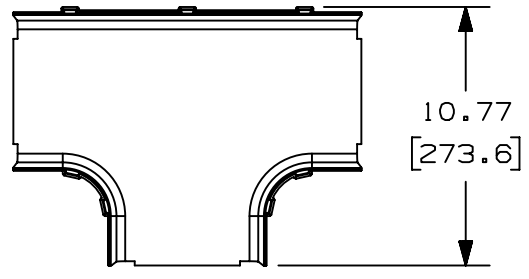


2

1

THIS COPY IS PROVIDED ON A RESTRICTED BASIS AND IS NOT TO BE USED IN ANY WAY DETRIMENTAL TO THE INTERESTS OF PANDUIT CORP.

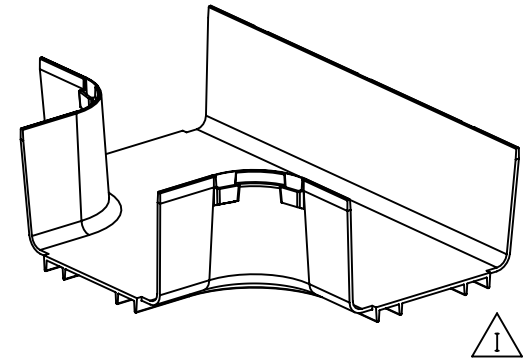


| PANDUIT PART NUMBER | WEIGHT | MATERIAL |
|---------------------|----------------------------|----------|
| FRT6X4** | 1.2 LB/EACH (544g/EACH) | ABS |
| FRT6X4L** | 1.2 LB/EACH (544g/EACH) | PC/ABS |



NOTES:

1. SEE CURRENT CATALOG FOR ADDITIONAL PART SUFFIXES TO INDICATE COLOR AND/OR PACKAGE QUANTITY.
2. THE FIBERRUNNER 6x4 HORIZONTAL TEE FITTING IS DESIGNED WITH A MINIMUM 2" (50.8) BEND RADIUS TO PROTECT FIBER OPTIC CABLES.
3. DIMENSIONS IN PARENTHESES ARE IN METRIC.



| REV | DATE | BY | CHK | APR | DESCRIPTION | ECN |
|-----|----------|-----|------|-----|---|-------------|
| 06A | 1-16-20 | MES | DWR | DWR | K. ADDED FRT6X4L** PART NUMBER | V09002DZ/02 |
| 5 | 02-06-17 | SSP | DWR | | J. REVISED GEOMETRY TO ADD 4 RIBS & 4 BOSSES WITH HOLES | 37185-84 |
| 4 | 05-10-13 | JBN | RTFI | RN | I. UPDATED DRAWING BORDER & TITLE BLOCK | 37185-84 |

| | | | | | |
|---|----------------------------------|---|-------------------------------|---|--|
| <p>TITLE FIBERRUNNER 6X4 HORIZONTAL TEE FITTING FRT6X4**, FRT6X4L** CUSTOMER DRAWING</p> | | | | | |
| <p>ITEM REVISION NAME D37185DW/10</p> | | | | | |
| <p>DATASET FILE NAME D37185DW_DC/06A</p> | | | | | |
| <p>UNLESS OTHERWISE SPECIFIED, DIMENSIONAL TOLERANCES ARE: IN [mm]</p> | | | | | <p>MATERIAL: SEE PART NUMBER TABLE ABOVE</p> |
| <p>.X ± .XX ± .03 [.8]</p> | | <p>.XXX ± ANGLES ±</p> | | <p>DRAWING NUMBER: 37185-84</p> | |
| | | <p>THIRD ANGLE PROJECTION</p> | | | <p>SHT 1 OF 1</p> |
| <p>DRAWN BY JHNU</p> | <p>DATE 05-11-00</p> | <p>CHK SMF</p> | <p>SCALE NONE</p> | | |

2

1

D10100DA/15