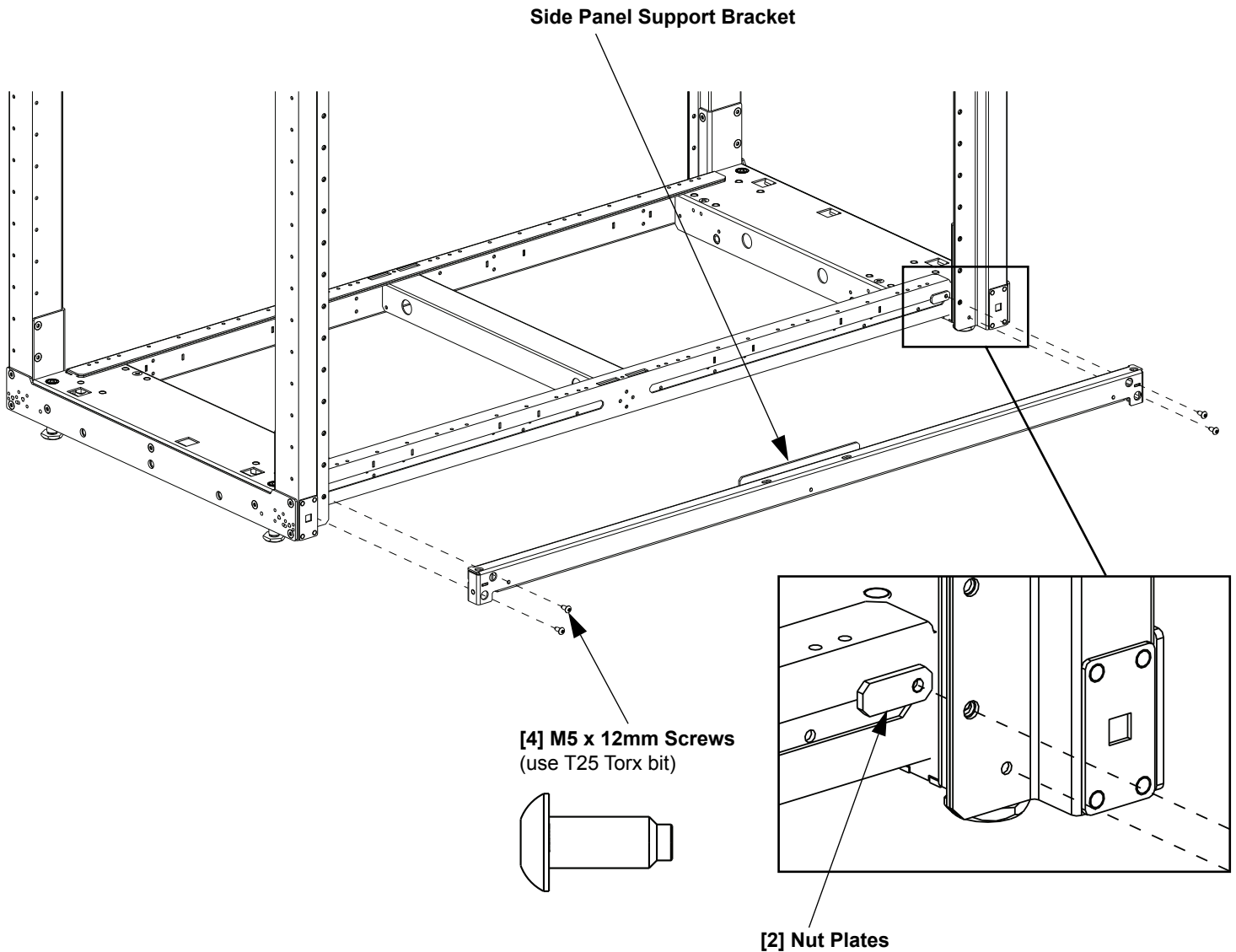


### Side Panel Support Bracket Installation

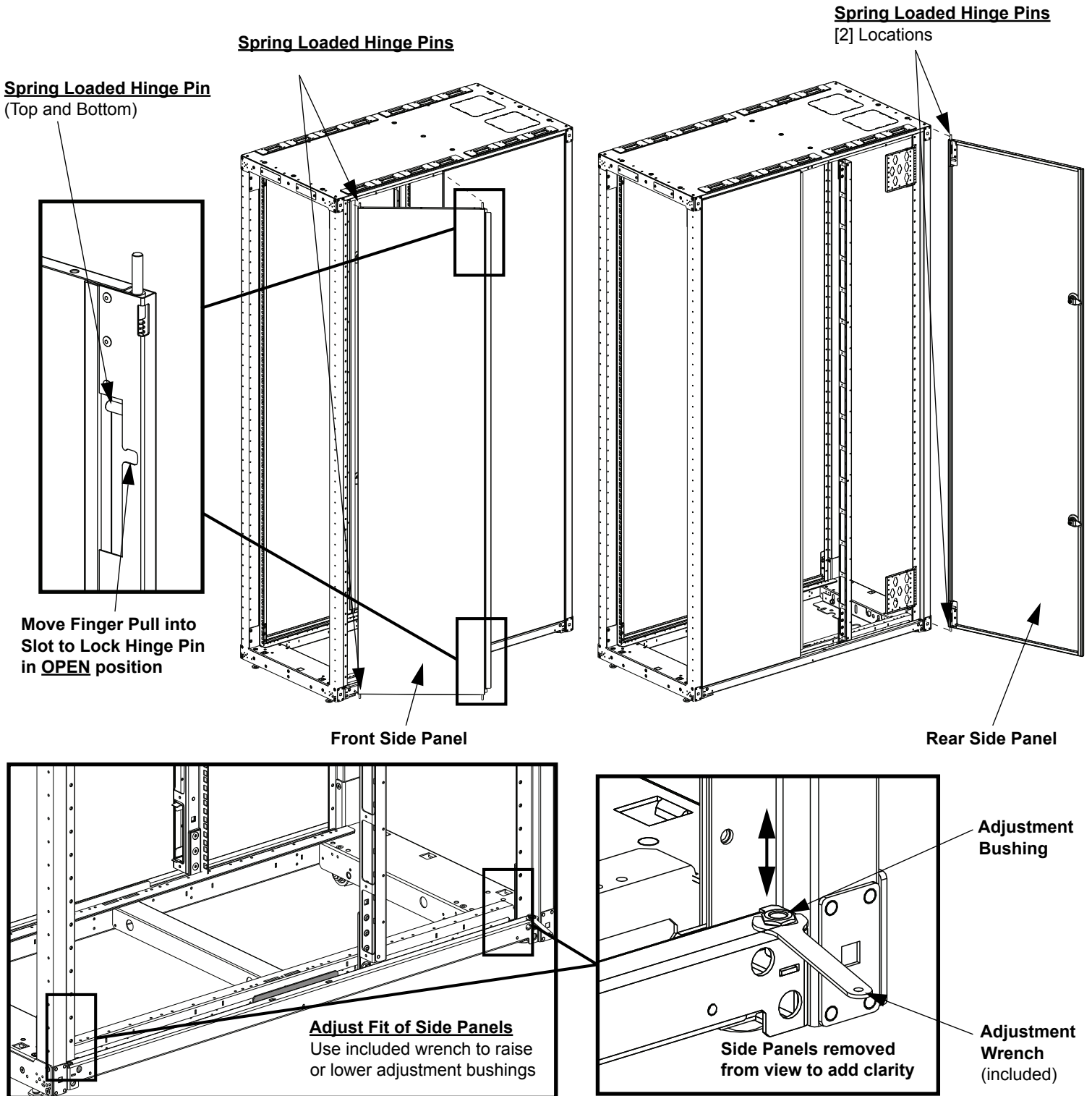
-Secure Side Panel Support Bracket to cabinet frame with [4] M5 Torx Screws



## Side Panels (Removal/Installation and Adjustment - optional)

- Pull and release [4] Spring Loaded Hinge Pins to install Front Side Panel onto cabinet frame
- Pull and release [2] Spring Loaded Hinge Pins to install Rear Side Panel onto cabinet frame
- Close rear side panel and set both locks to LOCKED position

**REVERSE STEPS** to remove In-Row Side Panels



For Instructions in Local Languages  
and Technical Support:

[www.panduit.com/resources/install\\_maintain.asp](http://www.panduit.com/resources/install_maintain.asp)

**PANDUIT**  
www.panduit.com

E-mail:  
techsupport@panduit.com  
Phone:  
866-405-6654