

Compatible With:

P24B12M	P42B23M	P42B28M	P24B14M
P42B27M	P38D25M	P36D41M	P42D06M
P42D42M	P30D02M	P24E28M	P24E01M
P24E02M	P36E08M	P24E29M	P24E30M
P24F01M	P24F06M	P24F07M	P36F12M
P24F02M	P24F03M	P24G01M	P24G06M
P24G07M	P36G15M	P24G02M	P24G03M
P42B11M	P42D04M	P44F11M	P36F13M
P44G14M	P36G16M	P44E07M	P36E09M
P36D26M	P24D43M	P36D08M	P36D29M
P24D31M	P24D34M	P38D28M	P36E33M
P32E06M	P24E03M	P24E31M	P24E32M
P36F15M	P32F10M	P24F08M	P24F04M
P24F05M	P36G18M	P32G13M	P24G08M
P24G04M	P24G05M	P36E34M	P36E12M
P36E35M	P36F16M	P36F18M	P36F17M
P36G22M	P36G20M	P36G19M	

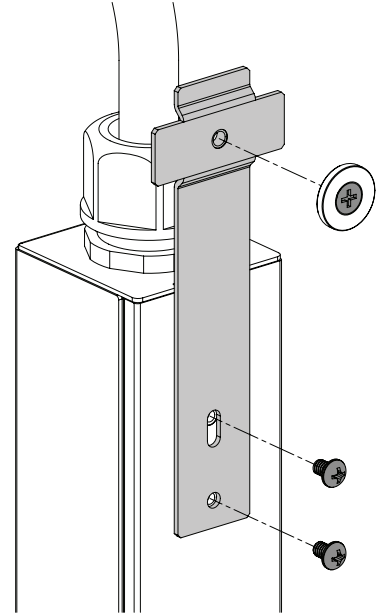
Required Tool: Phillips PH2

Step 1: Remove mounting buttons from PDU, and install on PDU Mounting Brackets using (1) M4 flat head screw each (supplied). Torque to 19 ±3.0 in·lb [2.2 ±0.3 N·m].

Step 2: Install each PDU Mounting Bracket with (2) M4 button head screws (supplied), with button oriented towards top of cabinet when PDU will be installed. Torque to 19 ±3.0in·lb [2.2 ±0.3 N·m].

Contents:

- (2) PDU Mounting Bracket Adapters
- (4) M4 x 0.5 Button Head screws
- (2) M4 x 0.7 Flat Head screws



For Instructions in Local Languages and Technical Support:

www.panduit.com/resources/install_maintain.asp

PANDUIT

www.panduit.com

E-mail: techsupport@panduit.com

Phone: 866-405-6654



Compatible With:

P24B12M	P42B23M	P42B28M	P24B14M
P42B27M	P38D25M	P36D41M	P42D06M
P42D42M	P30D02M	P24E28M	P24E01M
P24E02M	P36E08M	P24E29M	P24E30M
P24F01M	P24F06M	P24F07M	P36F12M
P24F02M	P24F03M	P24G01M	P24G06M
P24G07M	P36G15M	P24G02M	P24G03M
P42B11M	P42D04M	P44F11M	P36F13M
P44G14M	P36G16M	P44E07M	P36E09M
P36D26M	P24D43M	P36D08M	P36D29M
P24D31M	P24D34M	P38D28M	P36E33M
P32E06M	P24E03M	P24E31M	P24E32M
P36F15M	P32F10M	P24F08M	P24F04M
P24F05M	P36G18M	P32G13M	P24G08M
P24G04M	P24G05M	P36E34M	P36E12M
P36E35M	P36F16M	P36F18M	P36F17M
P36G22M	P36G20M	P36G19M	

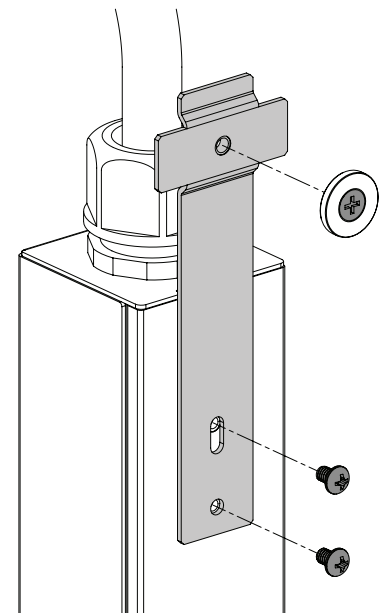
Required Tool: Phillips PH2

Step 1: Remove mounting buttons from PDU, and install on PDU Mounting Brackets using (1) M4 flat head screw each (supplied). Torque to 19 ±3.0 in·lb [2.2 ±0.3 N·m].

Step 2: Install each PDU Mounting Bracket with (2) M4 button head screws (supplied), with button oriented towards top of cabinet when PDU will be installed. Torque to 19 ±3.0in·lb [2.2 ±0.3 N·m].

Contents:

- (2) PDU Mounting Bracket Adapters
- (4) M4 x 0.5 Button Head screws
- (2) M4 x 0.7 Flat Head screws



For Instructions in Local Languages and Technical Support:

www.panduit.com/resources/install_maintain.asp

PANDUIT

www.panduit.com

E-mail: techsupport@panduit.com

Phone: 866-405-6654