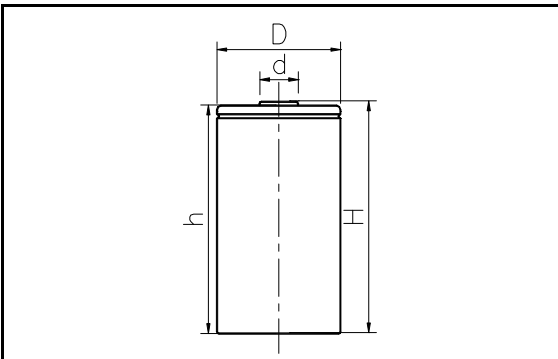


MODEL No: D5000P

Description: 5000 mAh SIZE Ni-Cd D

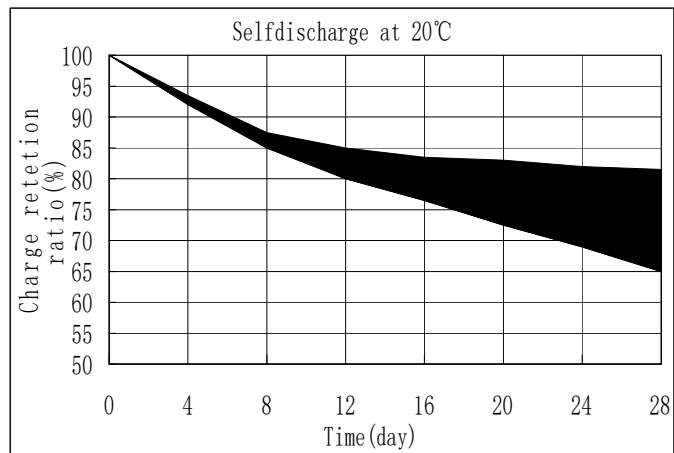
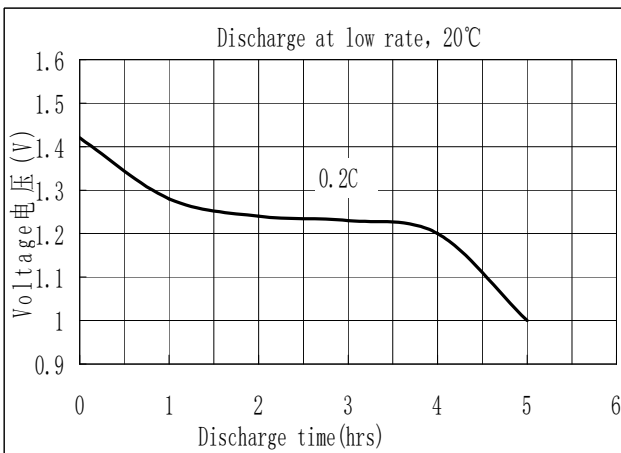
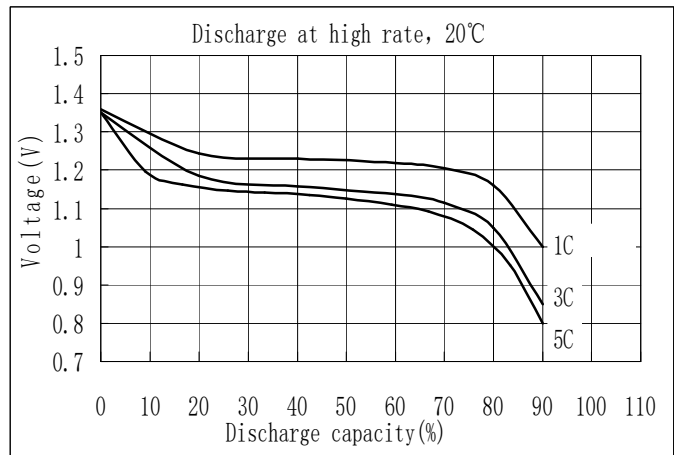
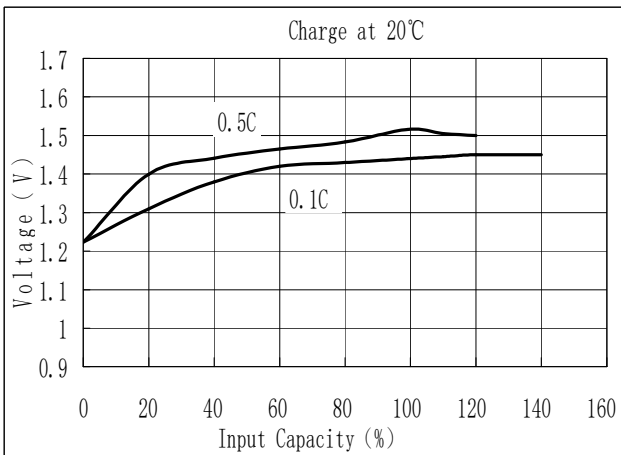


Dimensions(without Tube) (mm)

D	32.10±0.10
d	10.00±0.08
H	59.00±0.50
h	58.50±0.50

Specification

Nominal Capacity		5000 mAh	
Nominal Voltage		1,2 V	
Charge current	Standard	500 mA	
	Fast	2500 mA	
Charge time	Standard	14~16 Hrs	
	Fast	2,4 Hrs	
Ambient Temperature	Charge	Standard	0°C ~45°C
		Fast	10°C ~45°C
	Discharge		-30°C ~60°C
Storage		-20°C ~40°C	
Internal Impedance(mΩ) (After Charge)		≤ 6	
Weight		130 g	



YBF reserve the right to alter or amend the design,model and specification without prior notice.

