


Part number

# SQE 3264



Interlocked switched socket-outlet, SQE series, 3 poles + PE, 6 h (red), 32 A, 380 ÷ 415 V, without fuse-carrier

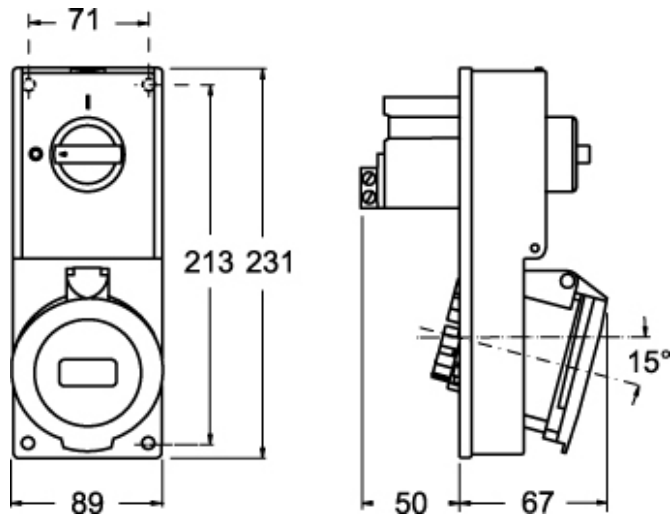
Product description		Material properties	
<b>Product type</b>	Interlocked switched socket-outlet	<b>Colour</b>	RAL 7035 grey, RAL 3000 red
<b>Series</b>	SQE		Compliant with exemption 6(c): copper alloy containing up to 4% lead by weight
<b>N. of poles</b>	3 poles + 	<b>RoHs conformity</b>	50
<b>Clock position</b>	6	<b>China RoHs - EFUP</b>	50
<b>Size</b>	Socket fixing centre distance 88 x 230 mm	<b>REACH SVHC substances</b>	Yes Lead
<b>Specification</b>	Without fuse-carrier	<b>SCIP number</b>	Ce861c8d-b979-403b-96d9-80aef6dc281d
Technical data		Approvals / Standards	
<b>Current</b>	32 A	<b>Reference standard</b>	EN 60309-1, -2 e -4
<b>Voltage</b>	380 ÷ 415 V	General ordering information	
<b>IP degree of protection</b>	IP44	<b>EAN13 code</b>	8015747086707
Further technical details		Packaging Information	
<b>Weight</b>	584,00 g	<b>Packaging length</b>	380,00 mm
<b>Operating temperature range (min, max)</b>	-25°C ... +40°C	<b>Packaging height</b>	250,00 mm
<b>IK rating (impact degree of protection)</b>	IK08	<b>Packaging width</b>	295,00 mm
		<b>Packaging weight</b>	5,76 kg
		<b>Packaging volume</b>	28,03 dm <sup>3</sup>
		<b>Packaging description</b>	Carton box
		<b>Packaging quantity</b>	9 Pcs
		<b>Packaging EAN code</b>	8015747086714
		<b>Sub-packaging weight</b>	0,64 kg
		<b>Sub-packaging description</b>	Plastic packaging
		<b>Sub-packaging quantity</b>	1 Pcs
		<b>Sub-packaging EAN barcode</b>	8015747086721

Part number

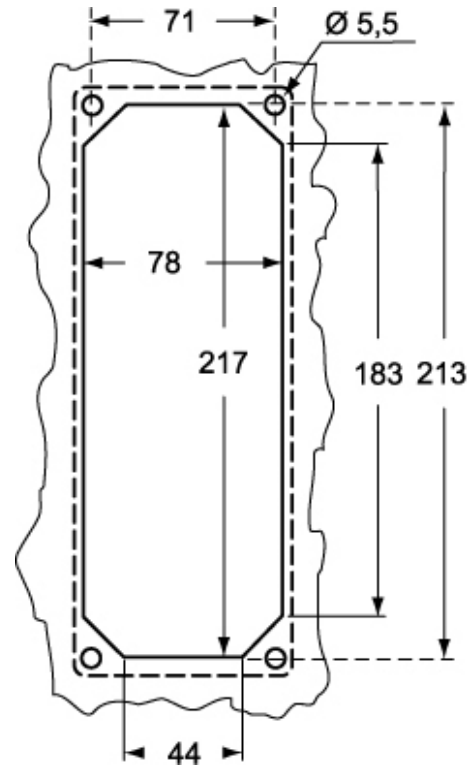
# SQE 3264



Catalogue drawings



Catalogue drawings



## Notes

Dimensions shown in mm are not binding and may be changed without notice.