



Signal tower  
Ø70mm/2.75"  
8TL7

Product designation

Product type designation

**General characteristics**

Diameter	mm - inch	70 / 2.75
Supply voltage (DC)	V	24±10%
Colour		Green, orange, red
IEC degree of protection		IP65
Light consumption per module (DC)	mA	90
Sound module consumption (DC)	mA	90
Sound intensity	dB	90

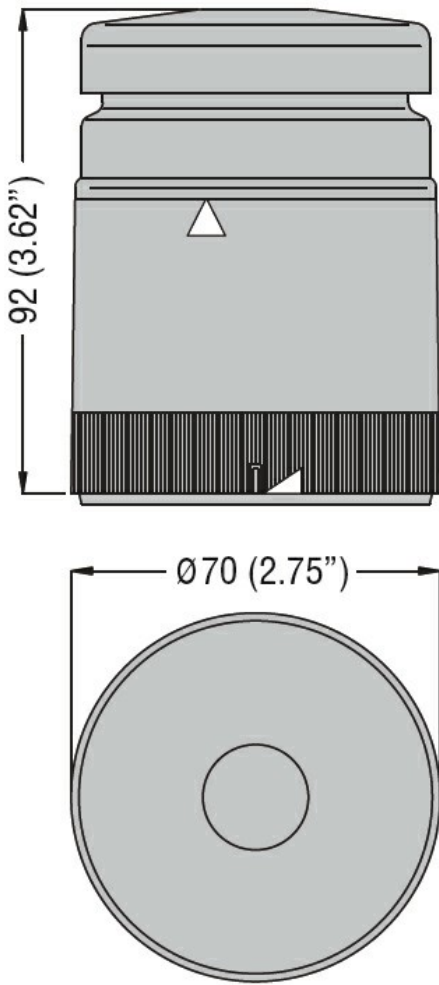
**Mechanical features**

Tightening torque for terminals max	Nm	0.5
Terminals screw		Screw clamp terminals
Conductor section		
AWG/Kcmil	max	16
IEC	max	mm <sup>2</sup> 1.5
Weight	g	200

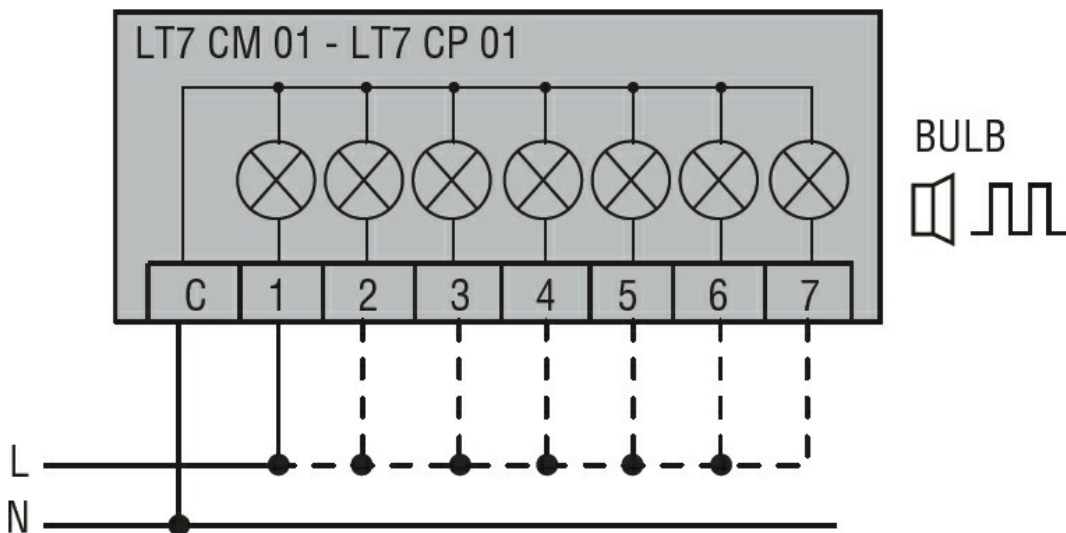
**Ambient conditions**

Temperature			
Operating temperature	min	°C	-20
	max	°C	+50

**Dimensions**



Wiring diagrams



Connect terminals C and 1 as indicated to power the first module. If other modules are fitted, the respective terminals must be connected accordingly.

Certifications and compliance

Compliance

CSA C22.2 n° 14

STEADY LIGHT MULTICOLORED LIGHT MODULE. Ø70MM. BUILT-IN LED CIRCUIT. GREEN, ORANGE, RED WITH CONTINUOUS OR PULSED SOUND, 24VDC

---

IEC/EN 60947-1

---

IEC/EN 60947-5-1

---

UL508

Certificates

---

cULus

---

EAC

ETIM classification

ETIM 8.0

EC000232 -  
Optical module  
for signal tower