

1SET162028R0000 ✓ ACTIVE

ENTRELEC

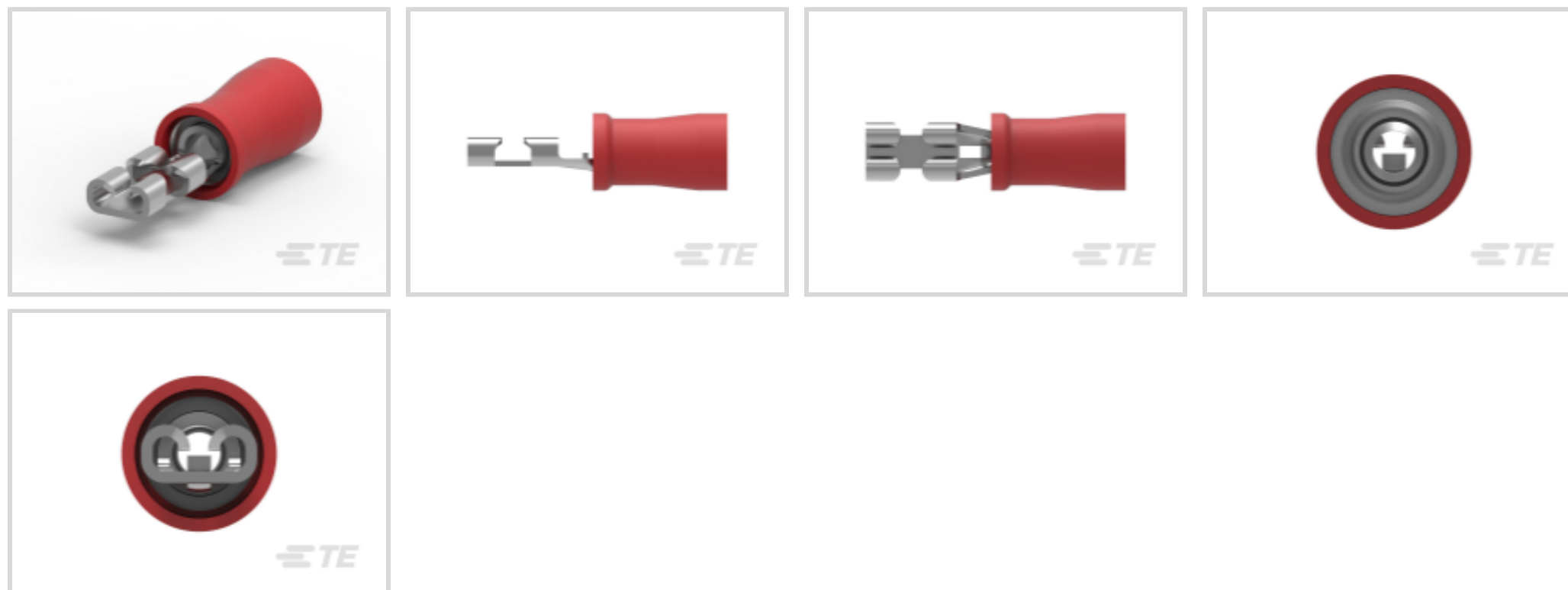
TE Internal #: 1SET162028R0000

Quick Disconnects, Receptacle, 22 – 18 AWG Wire Size, .26 – .96 mm<sup>2</sup> Wire Size, 509 – 1900 CMA Wire Size, Mating Tab Width .11 in [2.79 mm], Straight

[View on TE.com >](#)



Terminals & Splices > Quick Disconnects



Quick Disconnect Terminal Type: **Receptacle**

Wire Size: **509 – 1900 CMA**

Mating Tab Width: **2.79 mm [ .11 in ]**

## Features

### Product Type Features

|                 |              |
|-----------------|--------------|
| Terminates To   | Wire & Cable |
| Wire Stop       | Yes          |
| Insertion Force | Low          |
| Sealable        | No           |

### Electrical Characteristics

|               |       |
|---------------|-------|
| Voltage (Max) | 300 V |
|---------------|-------|

### Body Features

|                     |       |
|---------------------|-------|
| Insulation Material | Nylon |
|---------------------|-------|

### Contact Features

|                                |                  |
|--------------------------------|------------------|
| Quick Disconnect Terminal Type | Receptacle       |
| Mating Tab Width               | 2.79 mm [.11 in] |
| Mating Tab Thickness           | .51 mm [.02 in]  |
| Terminal Orientation           | Straight         |
| Contact Base Material          | Brass            |
| Terminal Plating Material      | Pre-Tin          |



|            |             |
|------------|-------------|
| Crimp Type | Compression |
|------------|-------------|

|             |        |
|-------------|--------|
| Barrel Type | Closed |
|-------------|--------|

### Mechanical Attachment

|                         |      |
|-------------------------|------|
| Wire Insulation Support | With |
|-------------------------|------|

### Dimensions

|  |                  |
|--|------------------|
| Accepts Wire Insulation Diameter Range | 3.43 mm[.135 in] |
|--|------------------|

|                |                 |
|----------------|-----------------|
| Overall Length | 20.36 mm[.8 in] |
|----------------|-----------------|

|                                     |                 |
|-------------------------------------|-----------------|
| Receptacle Terminal Stock Thickness | .41 mm[.016 in] |
|-------------------------------------|-----------------|

|           |                |
|-----------|----------------|
| Wire Size | 509 – 1900 CMA |
|-----------|----------------|

### Usage Conditions

|                   |                     |
|-------------------|---------------------|
| Insulation Option | Partially Insulated |
|-------------------|---------------------|

|                             |                |
|-----------------------------|----------------|
| Operating Temperature Range | 105 °C[221 °F] |
|-----------------------------|----------------|

### Industry Standards

|                           |          |
|---------------------------|----------|
| RU (UL Component Program) | Approved |
|---------------------------|----------|

|               |     |
|---------------|-----|
| CSA Certified | Yes |
|---------------|-----|

### Packaging Features

|                    |      |
|--------------------|------|
| Packaging Quantity | 1000 |
|--------------------|------|

|                  |             |
|------------------|-------------|
| Packaging Method | Loose Piece |
|------------------|-------------|

### Other

|              |     |
|--------------|-----|
| Barrel Color | Red |
|--------------|-----|

### Product Compliance

[For compliance documentation, visit the product page on TE.com>](#)

|                              |           |
|------------------------------|-----------|
| EU RoHS Directive 2011/65/EU | Compliant |
|------------------------------|-----------|

|                             |           |
|-----------------------------|-----------|
| EU ELV Directive 2000/53/EC | Compliant |
|-----------------------------|-----------|

|   |   |
|---|---|
| China RoHS 2 Directive MIIT Order No 32, 2016 | No Restricted Materials Above Threshold |
|---|---|

|  |   |
|--|---|
| EU REACH Regulation (EC) No. 1907/2006 | Current ECHA Candidate List: JUNE 2022 (224)<br>Candidate List Declared Against: JUNE 2022 (224)<br>Does not contain REACH SVHC |
|--|---|

|                 |   |
|-----------------|---|
| Halogen Content | Low Halogen - Br, Cl, F, I < 900 ppm per homogenous material. Also BFR/CFR/PVC Free |
|-----------------|---|

Solder Process Capability

Not applicable for solder process capability

Product Compliance Disclaimer

This information is provided based on reasonable inquiry of our suppliers and represents our current actual knowledge based on the information they provided. This information is subject to change. The part numbers that TE has identified as EU RoHS compliant have a maximum concentration of 0.1% by weight in homogenous materials for lead, hexavalent chromium, mercury, PBB, PBDE, DBP, BBP, DEHP, DIBP, and 0.01% for cadmium, or qualify for an exemption to these limits as defined in the Annexes of Directive 2011/65/EU (RoHS2). Finished electrical and electronic equipment products will be CE marked as required by Directive 2011/65/EU. Components may not be CE marked. Additionally, the part numbers that TE has identified as EU ELV compliant have a maximum concentration of 0.1% by weight in homogenous materials for lead, hexavalent chromium, and mercury, and 0.01% for cadmium, or qualify for an exemption to these limits as defined in the Annexes of Directive 2000/53/EC (ELV). Regarding the REACH Regulation, the information TE provides on SVHC in articles for this part number is based on the latest European Chemicals Agency (ECHA) 'Guidance on requirements for substances in articles' posted at this URL: <https://echa.europa.eu/guidance-documents/guidance-on-reach>

### Compatible Parts



TE Part # 59824-1  
TETRA-CRIMP PIDG PG FASTON 22-10 ASSY



TE Part # 58433-3  
PRO CR ASSY, RBY IS9252



TE Part # 58423-1  
DIE, RBY IS9252



TE Part # 8-640923-1  
RECEPT,PIDG FASTON 22-18 110




TE Part # 2063030-1  
SDE DIESET, RBY, UL

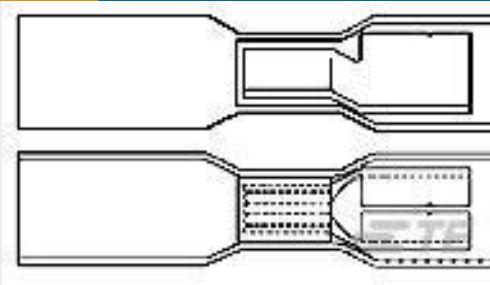


TE Part # 1SET191002R0000  
TET CRIMP-HT


### Customers Also Bought



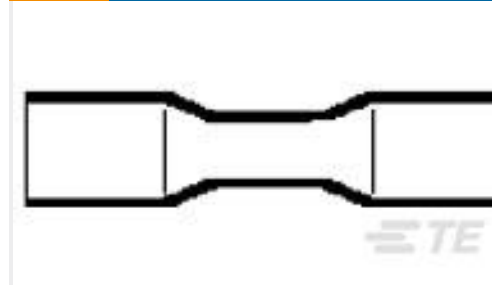
TE Part #CC2649-000  
B-106-1803CS50



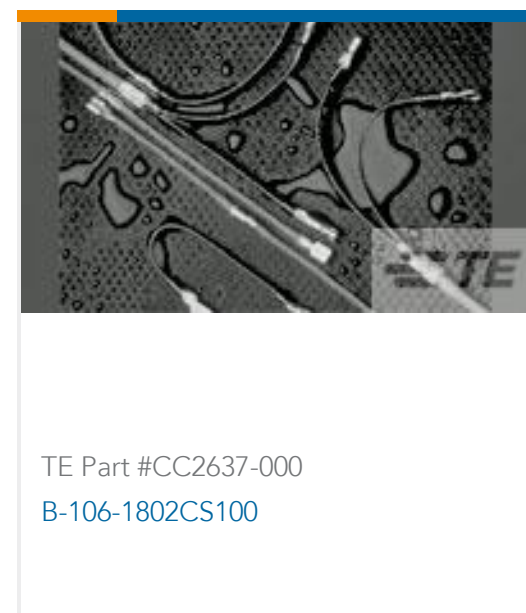
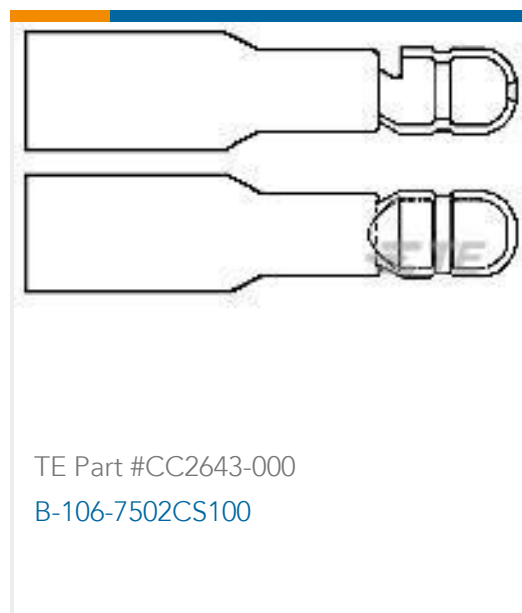
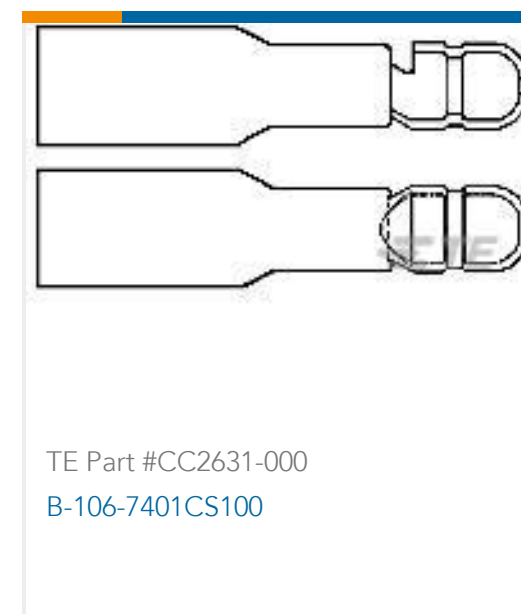
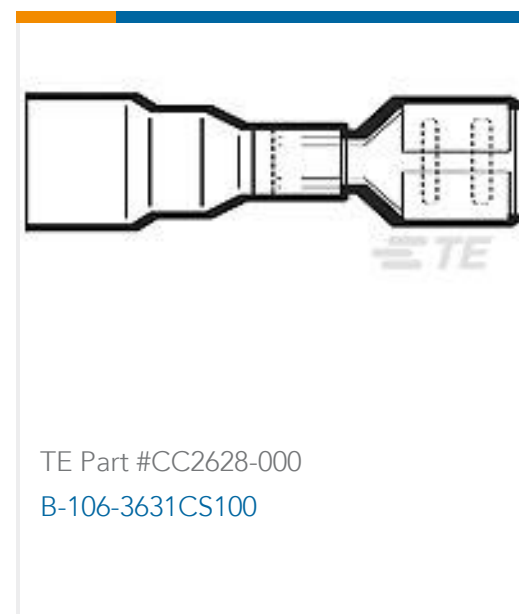
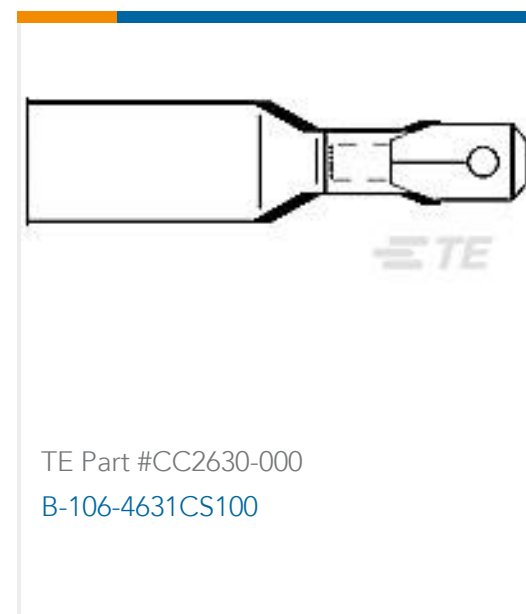
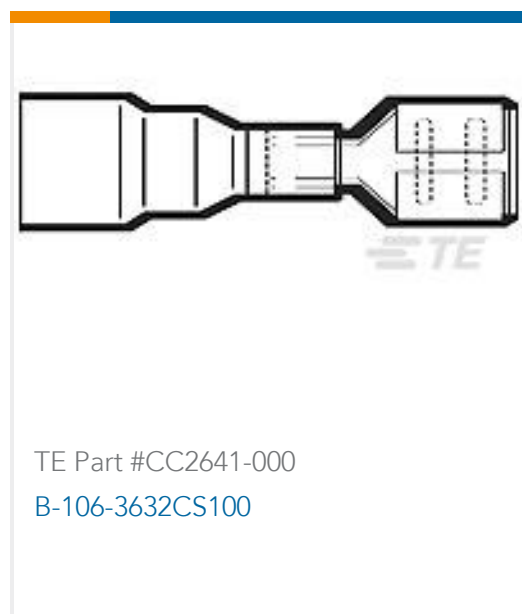
TE Part #CC2644-000  
B-106-8502CS100



TE Part #CC2621-000  
B-106-1501CS100



TE Part #CC2645-000  
D-406-0003CS50



## Documents

### Product Drawings

[FO007-280-N-R3](#)

English

### CAD Files

[3D PDF](#)

3D

Customer View Model

[ENG\\_CVM\\_CVM\\_1SET162028R0000\\_A.2d\\_dxf.zip](#)

English

Customer View Model

[ENG\\_CVM\\_CVM\\_1SET162028R0000\\_A.3d\\_igs.zip](#)

English

Customer View Model

[ENG\\_CVM\\_CVM\\_1SET162028R0000\\_A.3d\\_stp.zip](#)

English

By downloading the CAD file I accept and agree to the [Terms and Conditions](#) of use.

### Datasheets & Catalog Pages

[Infographic - entrelec ews-linecard](#)

English

[PIDG\\_FASTON](#)

English

[Ultra-Fast and Ultra Fast Plus](#)

English

[PIDG Terminals and Splices Quick Reference Guide](#)

English



## [PIDG TERMINALS & SPLICES Quick Reference Guide](#)

English

## [Standard Terminals & Splices](#)

English

## [Essential Entrelec Terminal Blocks](#)

French

## [Essential Entrelec Terminal Blocks](#)

English

---

## [Product Specifications](#)

## [Application Specification](#)

English