

Part number

CHIW 48 LS



Bulkhead mounting housing, W-TYPE series, with 1 lever, size "104.62", with metal cover

Product description

Product type	Bulkhead mounting housing
Series	W-TYPE
Closing type	With 1 lever
Size	Size "104.62"
Cable entry	Without cable entry
Specification	With metal cover

Technical data

IP degree of protection	IP65
--------------------------------	------

Further technical details

Weight	678,00 g
Operating temperature range (min, max)	-40°C...+125°C

Material properties

Other materials	Lever: Stainless steel, polyamide (PA)
Colour	RAL 9005 black
RoHs conformity	Compliant
China RoHs - EFUP	E
REACH SVHC substances	No

Approvals / Standards

Certifications	DNV, BV
UL	ECBT2
cUL	ECBT8

General ordering information

EAN13 code	8015747098472
eCl@ss 8.1	27440202
ETIM 7.0	EC000437

Packaging Information

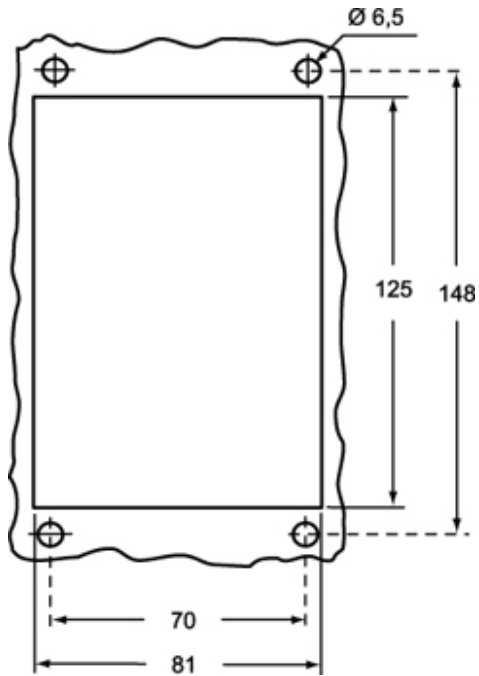
Packaging length	300,00 mm
Packaging height	160,00 mm
Packaging width	180,00 mm
Packaging weight	2,90 kg
Packaging volume	8,64 dm ³
Packaging description	Carton box
Packaging quantity	4 Pcs
Packaging EAN code	8015747098663
Sub-packaging weight	0,73 kg
Sub-packaging description	Plastic packaging
Sub-packaging quantity	1 Pcs
Sub-packaging EAN barcode	8015747098670

Part number

CHIW 48 LS

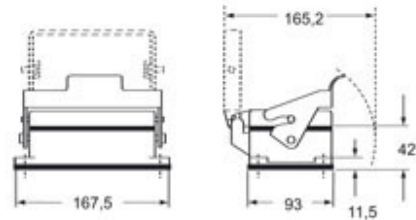


Catalogue drawings

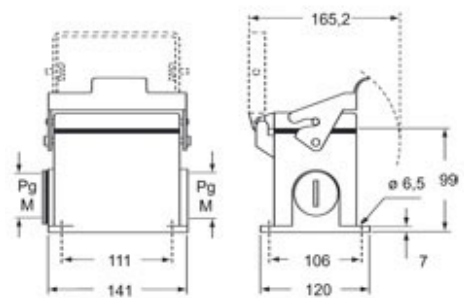


Catalogue drawings

CHIW LS



CHPW LS MHPW LS



Notes

Dimensions shown in mm are not binding and may be changed without notice.