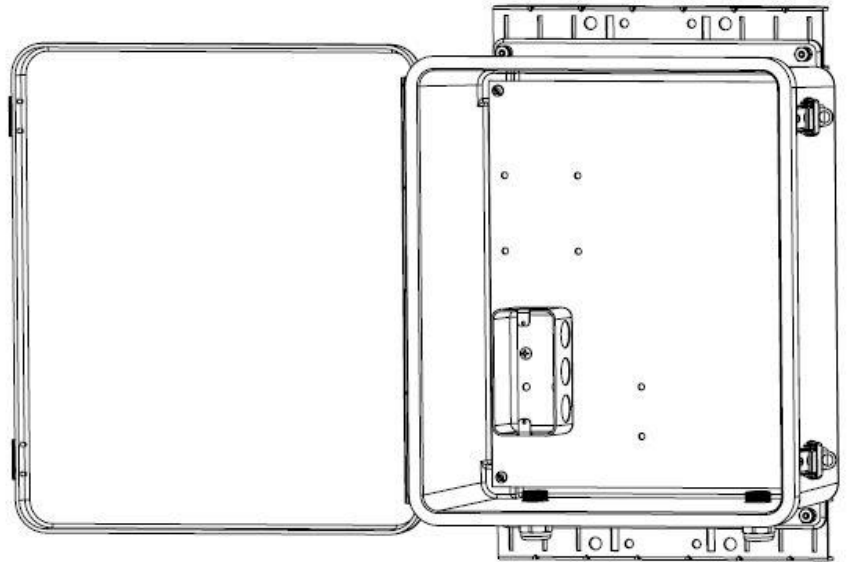


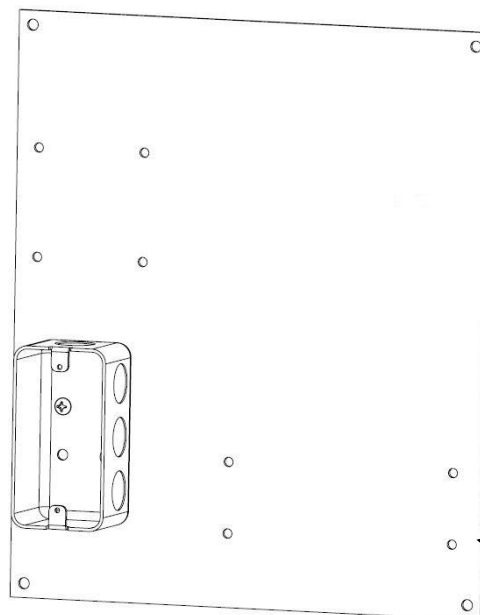
Contents:

- 1 – Enclosure
- 1 – Aluminum Mounting Plate
- 1 – Hardware Kit
 - (1) UTP *Mini*-COM TX6 Plus Jack Module
 - (2) UTP 2' CAT 6 Patch Cord
- 1 – Handy Box, Installed
- 1 – HGGX-PMT30 Pole Mounting Kit (Installed)
- 2 – PZNF4 Cable Compression Fitting (Installed)
- 1 – Installation Instruction sheet (IN-CD-0007)



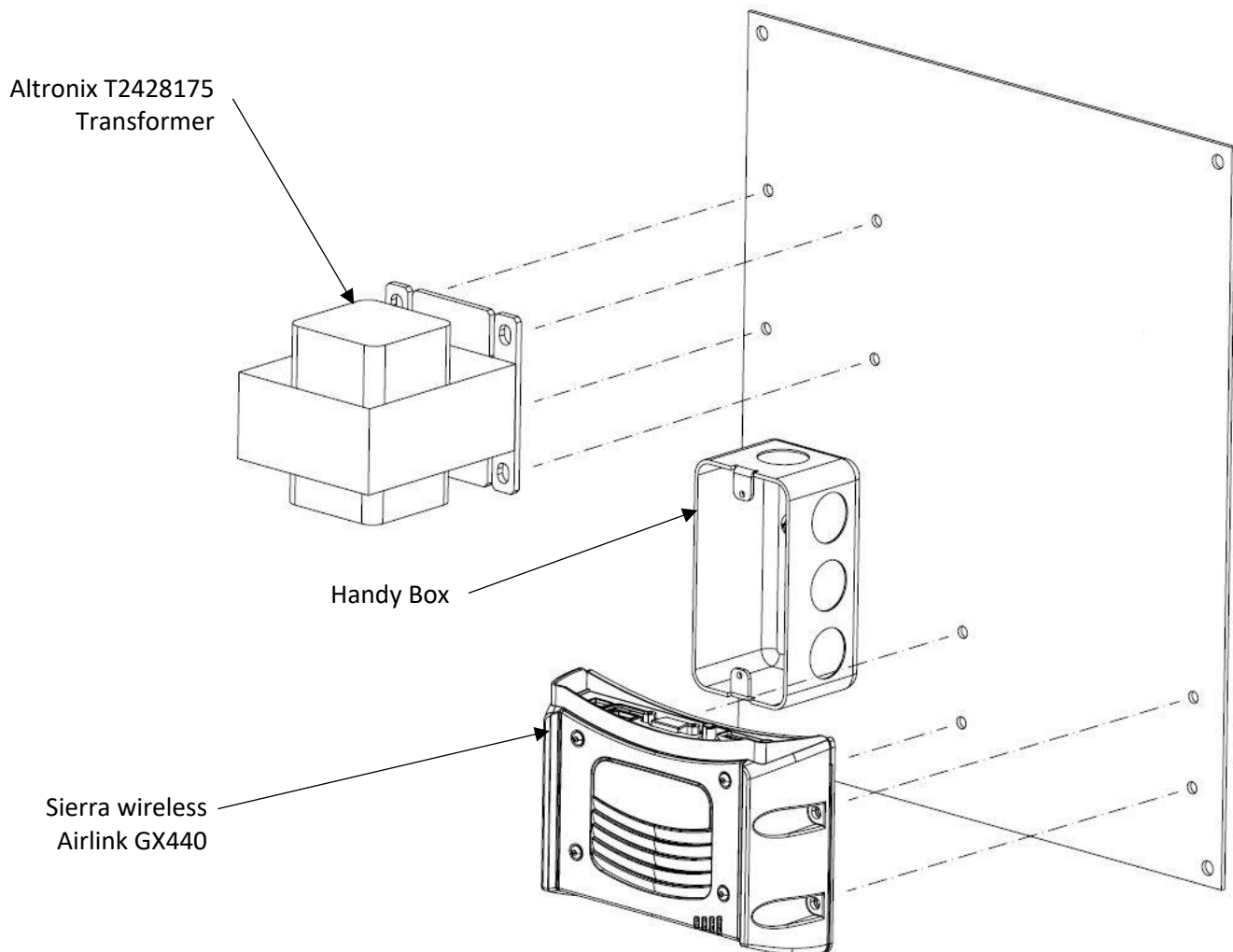
Assembly Instructions:

1. Remove the Mounting Plate from the enclosure.



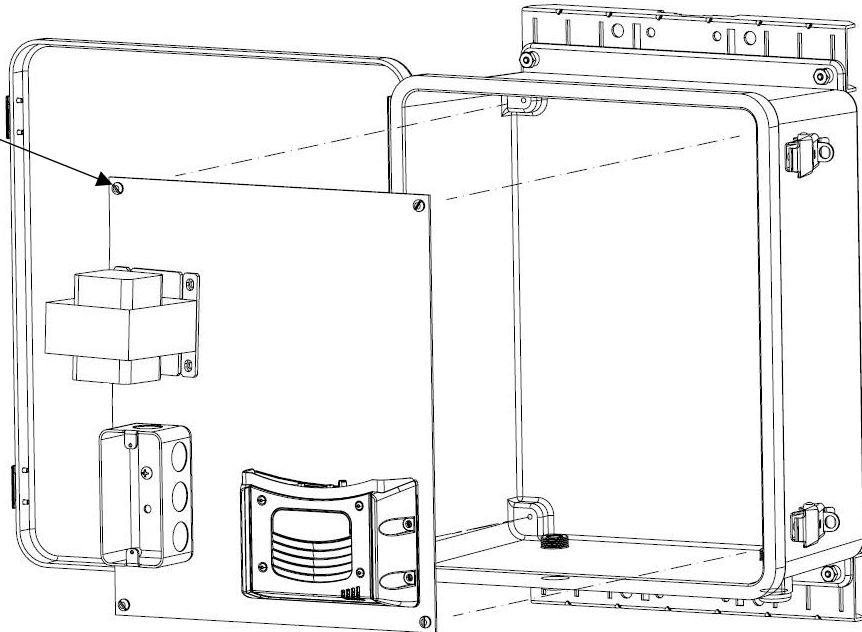
Pre-drilled mounting plate

- Using the mounting hardware provided with each piece of equipment, mount the equipment securely to the back plane. Recommended equipment and locations as shown below.



3. Attach the Mounting Plate to the enclosure with the supplied #10-32 x 3/8" screws and washers.

Supplied #10-32 x 3/8"
screw and flat washers



4. Install cabling and wiring as needed.
Leave coiled straps unassembled and packaged in foam or bubble wrap.
Pack inside enclosure until installed in the field.

