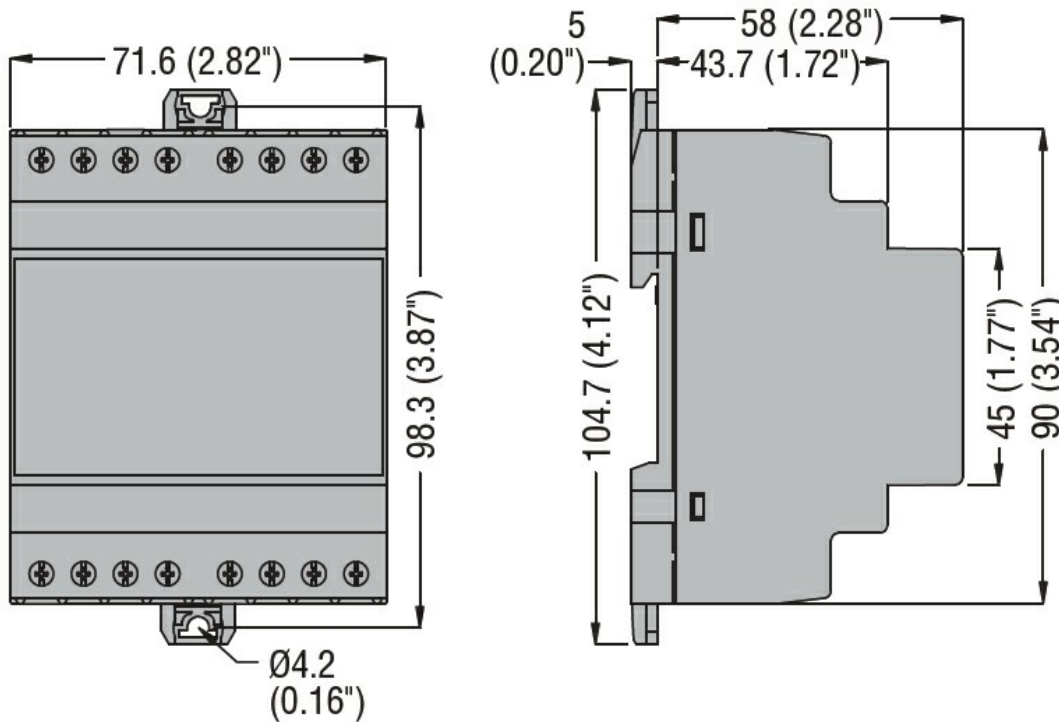




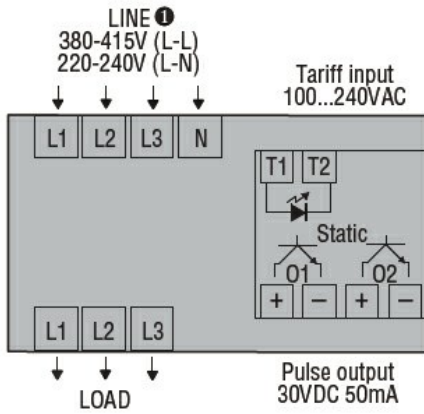
Product designation	Three-phase energy meters		
Product type designation	DMED301MID + UTF		
Type	CERTIFICATE		
DIN rail module number	Three-phase + neutral		
Auxiliary supply U_s	4		
Operational frequency	min	Hz	50
Power consumption	Max	VA	20
Power dissipation Max		W	1.35
Measuring voltage inputs			
Rated voltage (U_e)	phase-phase	VAC	400
	phase-neutral	VAC	230
Operating voltage range	phase-phase	VAC	323...456
	phase-neutral	VAC	187...264
Connection method	Direct		
Current			
IEC maximum (I_{max})		A	80
IEC minimum (I_{min})		A	0.5
IEC rated (I_{ref-Ib})		A	10
IEC start (I_{st})		mA	40
Transition (I_{tr})		A	1
Accuracy			
	Active energy		Class 1 (IEC/EN 62053-21)
	Reactive energy		Class 2 (IEC/EN 62053-23)
RS485 serial interface			
Baud rate		bps	Programmable 1200...38400
Insulations			
Rated insulation voltage U_i IEC/EN		V	250
Rated impulse withstand voltage U_{imp}		kV	6
Operating frequency withstand voltage		kV	4
Mechanical features			
Housing type	Polyamide		
Terminals type	Fixed		
Conductor cross section	min	mm ²	2.5
	Max	mm ²	25

	min	AWG	14
	Max	AWG	4
Tightening torque (Max)		Nm	2
		lbin	17.7
Fixing			Din rail
Weight		g	360
Ambient conditions			
Temperature			
Operating temperature			
	min	°C	-25
	max	°C	+55
Storage temperature			
	min	°C	-25
	max	°C	+70
Relative humidity		%	<80
Maximum Pollution degree			2
Mechanical environment			Class M1
Magnetic environment			Class E1

Dimensions



Wiring diagrams



Certifications and compliance

Compliance

EN50470-1

EN50470-3

TR 50579

Certificates

RCM

ETIM classification

ETIM 8.0

EC001506 -
Kilowatt-hour
meter