



Product designation				Switch disconnecter
Product type designation				GD
Number of poles	Nr.			2
Operating voltage type				DC
<b>Contact characteristics</b>				
IEC Conventional free air thermal current I <sub>th</sub>	A			40
Rated insulation voltage U <sub>i</sub> IEC/EN	V			1500
Rated impulse withstand voltage U <sub>imp</sub>	kV			8
Operating current I <sub>e</sub>				
DC21A	600V	A	40	
	800V	A	40	
	1000V	A	32	
DC21B	600V	A	40	
	800V	A	40	
	1000V	A	32	
DCPV1				
	Operating current I <sub>e</sub> 600V	A	40	
	Operating current I <sub>e</sub> 800V	A	40	
DCPV1	600V	A	40	
	800V	A	40	
Power dissipation per pole max	W			1,9
Rated short time current (1s) I <sub>cs</sub> (rms)	kA			0.5
Mechanical life	cycles			10000
<b>Mechanical features</b>				
Operating position	normal allowable		Vertical plan Any	
Fixing	Screw / DIN rail 35mm			
Terminals				
	type	Screw with washer		
	width	mm	5.6	
	height	mm	6.5	
	screw	M4		
	tool	Phillips 1		
Tightening torque for terminals				
	min	Nm	1.2	
	max	Nm	1.6	
	min	lbin	1.3	
	max	lbin	1.2	
Conductor section				

IEC min	mm <sup>2</sup>	1
IEC max	mm <sup>2</sup>	10
AWG/kcmil min		18
AWG/kcmil max		8

**Ambient conditions**

Operating temperature

min	°C	-25
max	°C	+55

Storage temperature

min	°C	-40
max	°C	+70

Max altitude

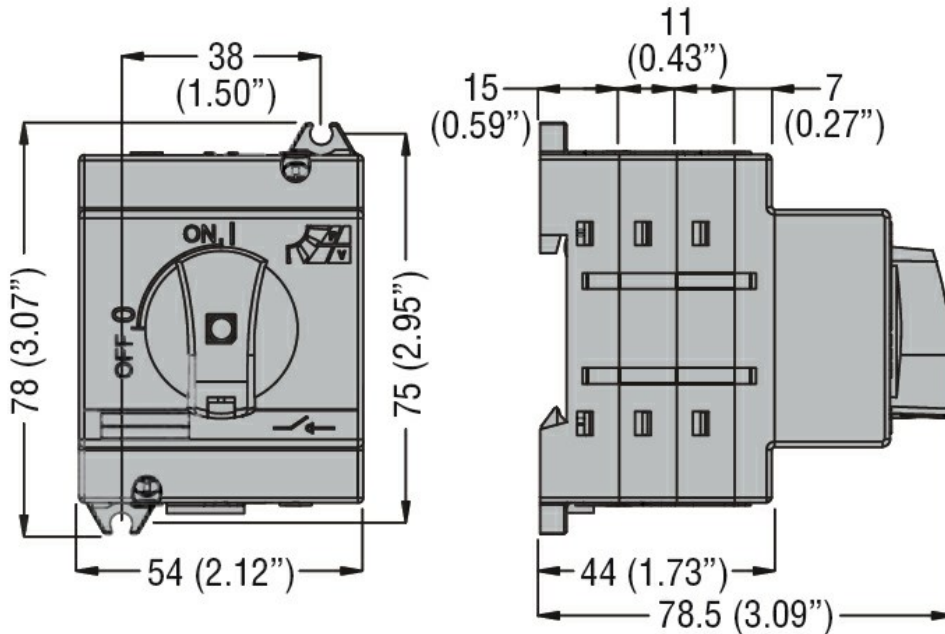
m	3000
---	------

**Resistance & Protection**

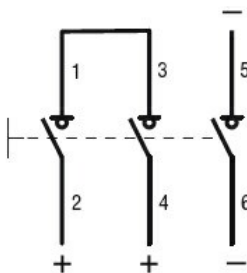
Frontal IP degree

IP20

**Dimensions**



**Wiring diagrams**



**Certifications and compliance**

Compliance

IEC/EN 60947-1
IEC/EN 60947-3

Certifications

EAC

**ETIM classification**

ETIM 8.0

EC000216 -  
Switch  
disconnecter

SWITCH DISCONNECTOR, FOR PHOTOVOLTAIC APPLICATIONS, DIRECT OPERATING  
VERSION, COMPLETE WITH BLACK HANDLE, 40A 800VDC - 32A 1000VDC