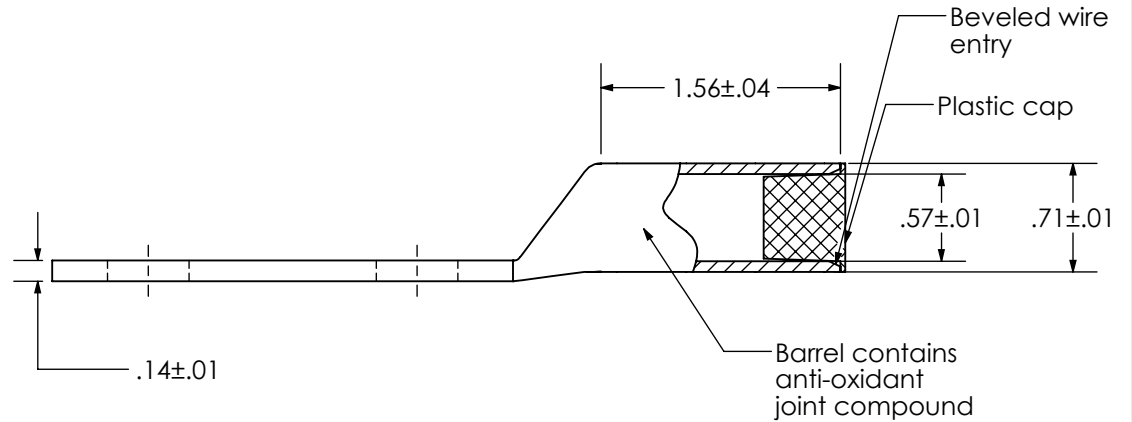
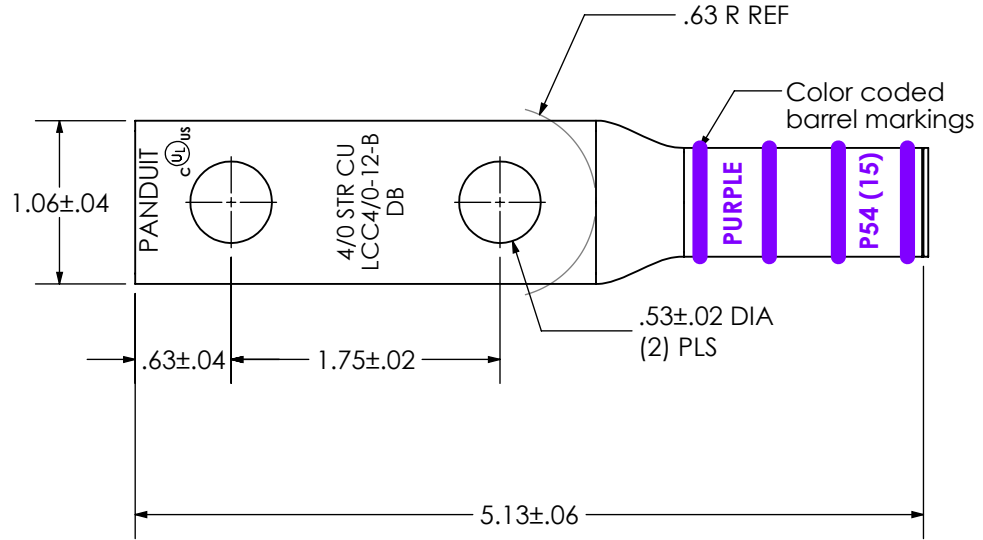


THIS COPY IS PROVIDED ON A RESTRICTED BASIS AND IS NOT TO BE USED IN ANY WAY DETRIMENTAL TO THE INTERESTS OF PANDUIT CORP.

Material	High Conductivity Seamless Copper Tube
Coating	Clear Coating
Wire Size	4/0 AWG
Wire Type	Stranded Copper; Class B: Compact, Compressed or Concentric, Class C: Concentric
Wire Strip Length	1-5/8 in.
Stud Size	1/2 in.
UL Listed Wire Connector	Yes, for applications up to 35kv. Consult cable manufacturer for voltage stress relief instructions with applications greater than 2000 volts.  UL Listed per UL467 for grounding and bonding and suitable for direct burial in earth or concrete.
UL Temperature Rating	90° C
C.S.A Certified Wire Connector	N/A
Panduit Color Code on Barrel	PURPLE
Panduit Die Index No. on Barrel	P54
Alternate Industry Die Index No. ( ) on Barrel	(15)



**DB**  
**RATED**

REV	DATE	BY	CHK	DESCRIPTION	ECN	-R	SUP
01	1/17	JHNU	RGB	REVISED INK MARKING ON BARREL	00076FBE-LCC4/0-12-B-CUST	RGB	RGB
00	3/16	JHNU	RGB	DRAWING RELEASED	00076FBE-LCC4/0-12-B-CUST	RGB	RGB

**PANDUIT CORP. TINLEY PARK, ILLINOIS**

LCC4/0-12-B-X  
Copper Lug - Two-Hole, Long Barrel, Direct Burial

SCALE N/A DRAWING NO / CAD FILE LCC4\_0-12-B-CUST