

Part number

MAPS 06 L32



Surface mounting housing, EMC series, with 1 lever, M32 cable entry, size "44.27", high construction

Product description		Material properties	
Product type	Surface mounting housing	Other materials	Lever: Stainless steel, polyamide (PA) Gasket: Conductive elastomer
Series	EMC	RoHs conformity	Compliant
Closing type	With 1 lever	China RoHs - EFUP	E
Size	Size 44.27	REACH SVHC substances	No
Cable entry	With cable entry M32	Approvals / Standards	
Specification	High construction	Certifications	DNV, BV
Technical data		UL	ECBT2
IP degree of protection	IP65 / IP66 / IP69	cUL	ECBT8
Further technical details		General ordering information	
Weight	291,00 g	EAN13 code	8015747138369
Operating temperature range (min, max)	-40°C...+125°C	eCl@ss 8.1	27440202
		ETIM 7.0	EC000437
		Packaging Information	
		Packaging length	475,00 mm
		Packaging height	200,00 mm
		Packaging width	150,00 mm
		Packaging weight	3,27 kg
		Packaging volume	14,25 dm ³
		Packaging description	Carton box
		Packaging quantity	10 Pcs
		Packaging EAN code	8015747249560
		Sub-packaging weight	1,64 kg
		Sub-packaging description	Plastic packaging
		Sub-packaging quantity	5 Pcs
		Sub-packaging EAN barcode	8015747249577

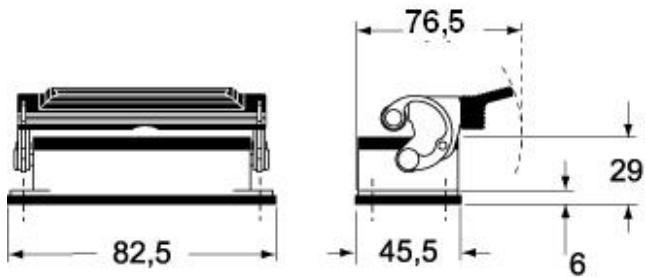
Part number

MAPS 06 L32

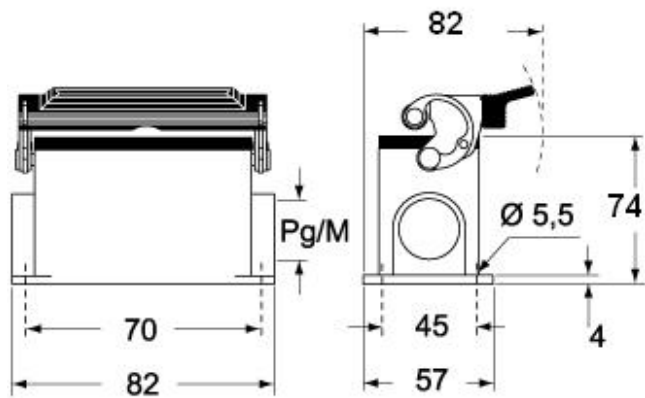


Catalogue drawings

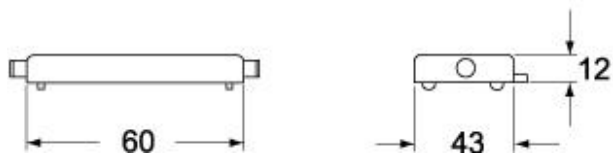
CHIS L



CAPS L - MAPS L



CHCS L



Notes

Dimensions shown in mm are not binding and may be changed without notice.