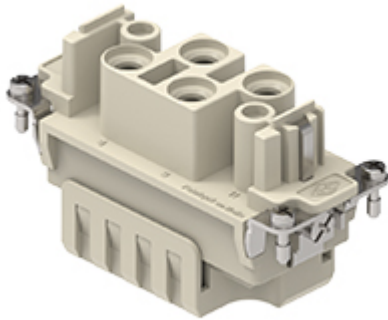


Part number

CXCF 4/2



Female insert, CXC series, crimp connection, 4 + 2 poles + PE, 80 A 830 V 8 kV 3 / 16 A 400 V 6 kV 3, size "77.27"

Product description

Product type	Insert
Series	CXC
Connection type	Crimp connection
Gender	Female
N. of poles	4 poles + \oplus
Auxiliary poles	2 poles
Size	Size 77.27

Technical data

Current	80 A
Voltage	830 V
Rated impulse withstand voltage	8 kV
Pollution degree	3
Rated voltage according to UL/CSA	600 V
Wire cross-section	6,00 mm ² - 25,00 mm ²
AWG size	10 - 3
IP degree of protection	IP20 without enclosure, IP65/IP66/IP68/IP69 with enclosure

Further technical details

Characteristics according to EN 61984	80 A 830 V 8 kV 3 / 16 A 400 V 6 kV 3
Mating cycles	≥ 500
Insulation resistance	≥ 10 GΩ
Contact resistance	≤ 0,3 mΩ (4 poles), ≤ 1 mΩ (2 poles)
Weight	68,50 g
Operating temperature range (min, max)	-40°C...+125°C
UL 94 flammability rating	V-0

Material properties

Main material	Polycarbonate (PC)
Colour	RAL 7032 grey
RoHs conformity	Compliant
China RoHs - EFUP	E
REACH SVHC substances	No

Approvals / Standards

Certifications	DNV
-----------------------	-----

General ordering information

EAN13 code	8015747100021
eCl@ss 8.1	27440205
ETIM 7.0	EC000438

Packaging Information

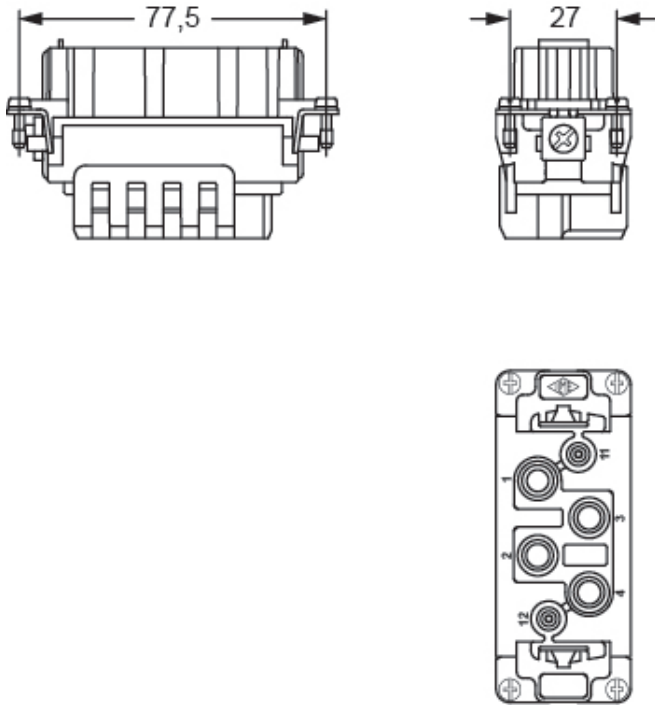
Packaging length	245,00 mm
Packaging height	165,00 mm
Packaging width	215,00 mm
Packaging weight	2,34 kg
Packaging volume	8,69 dm ³
Packaging description	Carton box
Packaging quantity	30 Pcs
Packaging EAN code	8015747280570
Sub-packaging length	87,00 mm
Sub-packaging height	36,00 mm
Sub-packaging width	180,00 mm
Sub-packaging weight	0,39 kg
Sub-packaging volume	0,56 dm ³
Sub-packaging description	Carton tray
Sub-packaging quantity	5 Pcs
Sub-packaging EAN barcode	8015747127820

Part number

CXCF 4/2

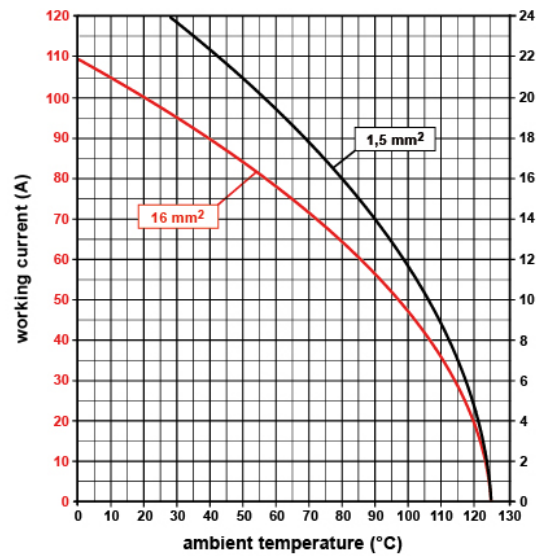
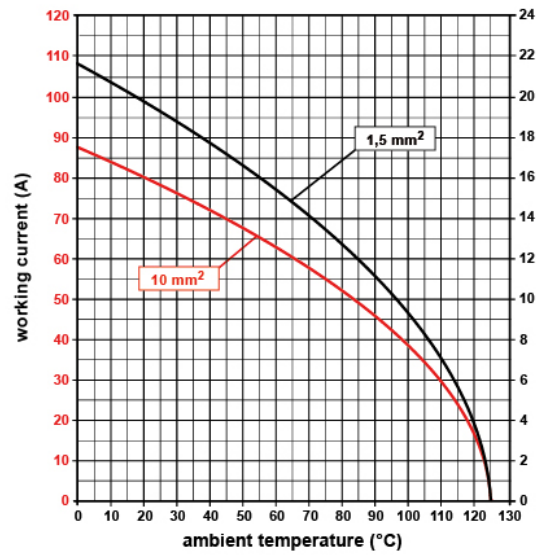
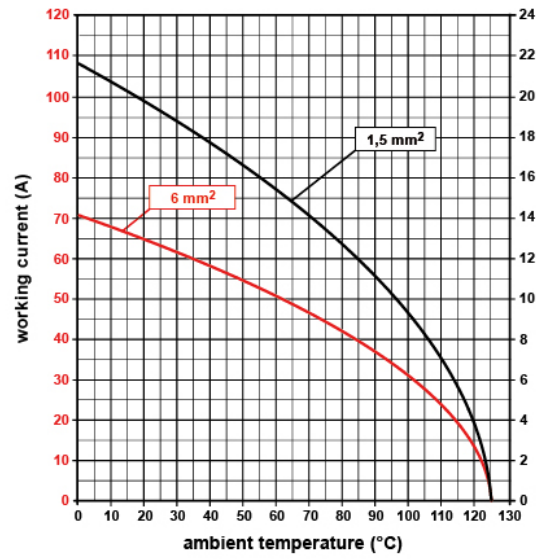


Catalogue drawings



Derating curves

CXC 4/2 poles connector inserts
Maximum current load derating diagrams



Notes