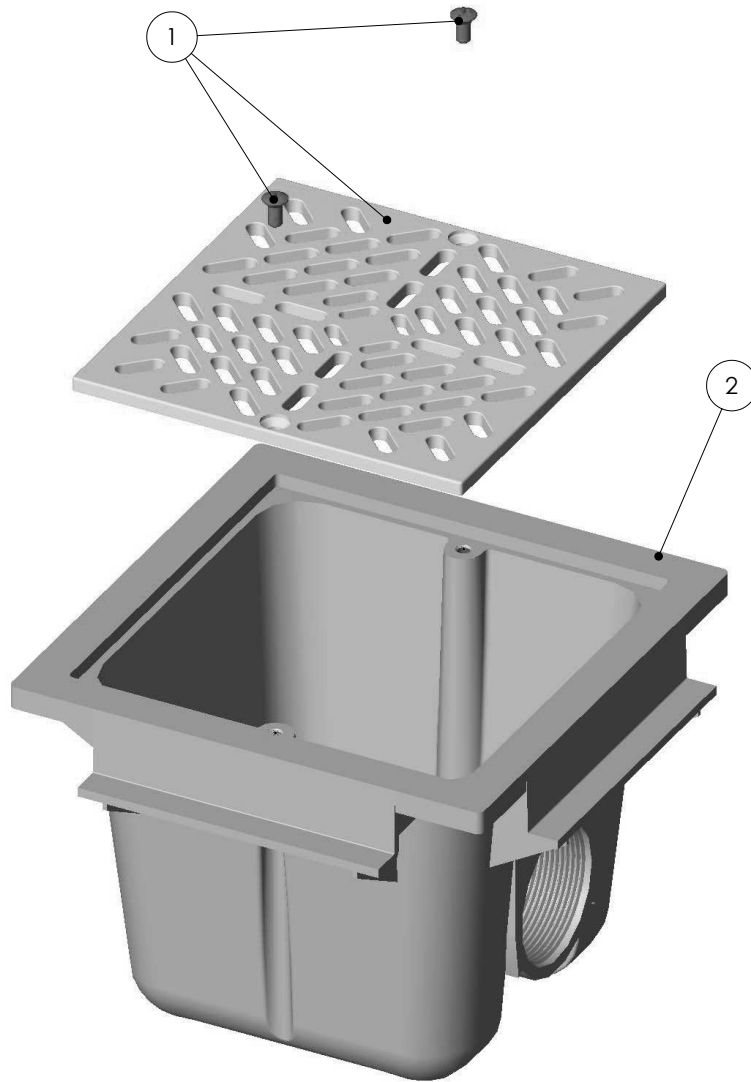


CODES: 00258

DESCRIPTION: SQUARE MAIN DRAIN CONCRETE 2" SIDE OUTLET



POS.	CODE	DESCRIPTION	POS.	CODE	DESCRIPTION
1	4402020401	2" SQUARE GRILLE	2	00258R0100	SQUARE DRAIN BODY