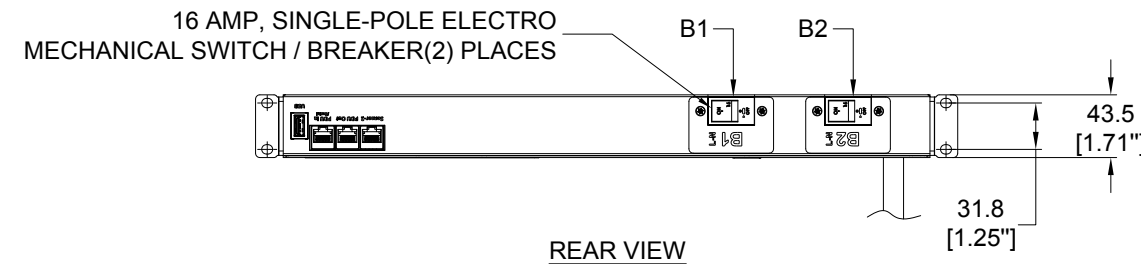


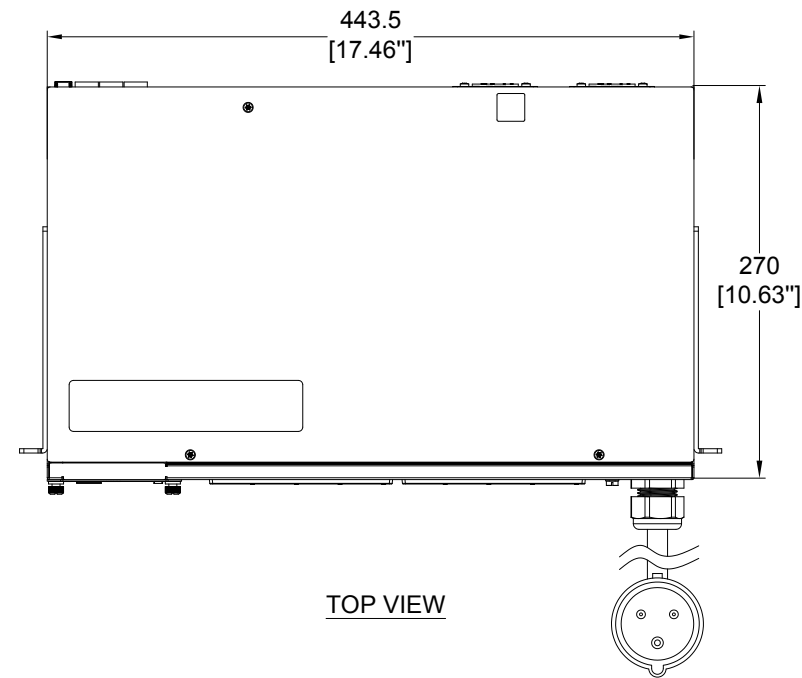
2

1

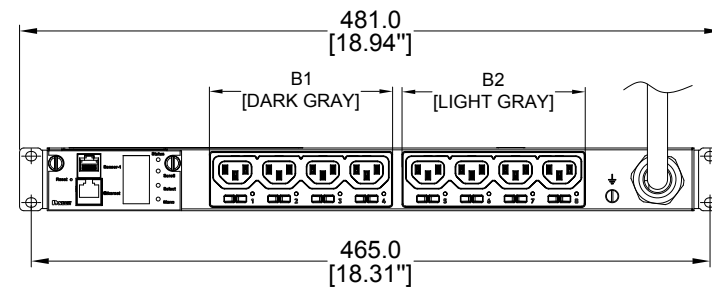
PANDUIT P/N	WEIGHT
P08E05M	8.8kg



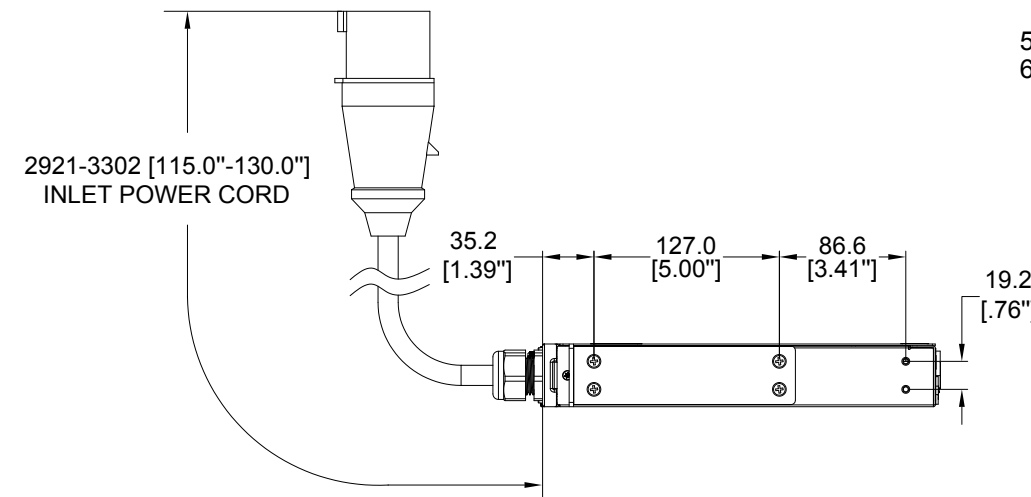
REAR VIEW



TOP VIEW



FRONT VIEW



SIDE VIEW

NOTES:

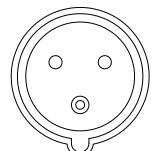
- IDENTIFICATION:
 - UNIT TYPE: MONITORED SWITCHED
 - ORIENTATION: HORIZONTAL, 1U
 - OUTLET QTY&TYPE: (8) C13
 - BREAKER QTY&TYPE: (2) 16AMP, SINGLE-POLE
 - INPUT VOLTAGE: 200-240VAC
 - INPUT CURRENT: 32A
 - INPUT PHASE: SINGLE-PHASE
 - RATED POWER: 7.4kVA
 - INPUT PLUG: IEC 60309 2P+E 6H 32A
 - INPUT CORD LENGTH: 3m [10']
- ACCESSORIES:
 - POCKET GUIDE
 - QTY: (4) M6 X 12 PAN HEAD MACHINE SCREWS
 - QTY: (4) M6 CAGED NUT
- RoHS COMPLIANT
- VISIT PANDUIT'S ON-LINE CATALOG AT WWW.PANDUIT.COM FOR ADDITIONAL PRODUCT INFORMATION CONTAINED IN THE SPECIFICATION SHEET AS WELL AS A CURRENT LIST OF PRODUCTS APPLICABLE FOR USE WITH THIS PART
- MAXIMUM ALLOWABLE INPUT POWER = 7.4kW
- INSTALLATION SHALL COMPLY WITH ALL APPLICABLE NATIONAL, STATE, AND LOCAL CODES

B

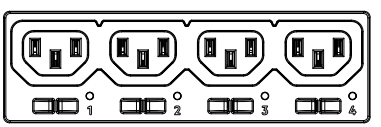
B

A

A



PLUG
32 AMP, 250V
2P/3W
IEC 60309, SOLASHPROOF IP44
3J (S); 3U (W), 6H



EIGHT (8) RECEPTACLES
10 AMP, 250V
STRAIGHT BLADE
IEC 60320/C13

REV	DATE	BY	CHK	APR	DESCRIPTION	ECN
01A	09/21/2017	GEORGE	MIM	EDM	INITIAL RELEASE	P08E05M

WE ASK THAT YOU CHECK FULLY THE DIMENSIONS, NOTES, AND SIGN THE CLIENT SIGNATURE BOX. THE JOB WILL NOT PROGRESS WITHOUT SIGNED APPROVAL. PLEASE DO NOT DELAY IN RETURNING PROOF AS IT WILL AFFECT DELIVERY		SIGN
		DATE
		PRINT
TITLE INTELLIGENT SERIES PDU P08E05M CUSTOMER DRAWING		
ITEM REVISION NAME:		PANDUIT
DATASHEET FILE NAME:		
UNLESS OTHERWISE SPECIFIED DIMENSIONAL TOLERANCE ARE: mm [IN]		MATERIAL/COLOR: N/A
Tolerance(mm) 0<L<50 ±0.5 50<L<250 ±1.0 250<L<500 ±1.5 500<L<1000 ±2.5 1000<L<2000 ±4.0		DRAWING NUMBER: P08E05M_DA
THIRD ANGLE PROJECTION		
DRAWN BY: GEORGE	DATE: 09/21/2017	CHK: SEAN
		SCALE: NONE
SHT 1 OF 1		SCALE: B

2

1