




PR2HF1(WH)



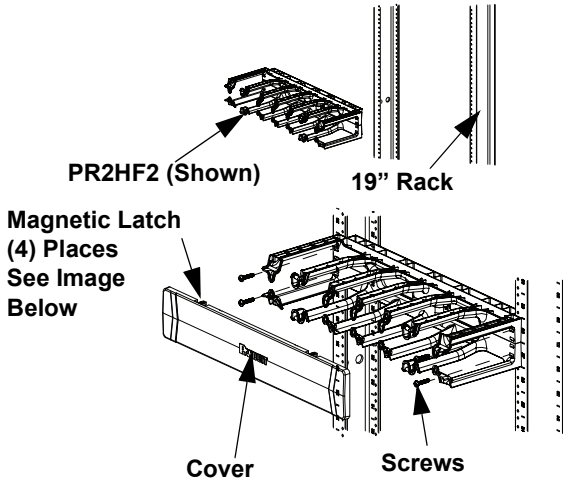
PR2HF2(WH)



PR2HF3(WH)



PR2HF4(WH)



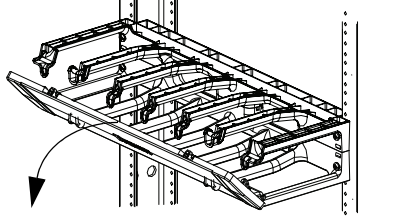
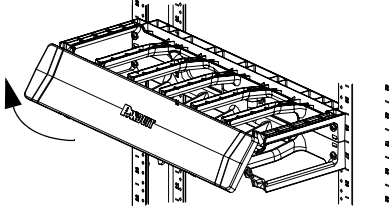
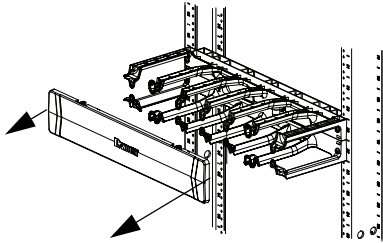
PR2HF2 (Shown)

19" Rack

Magnetic Latch (4) Places See Image Below

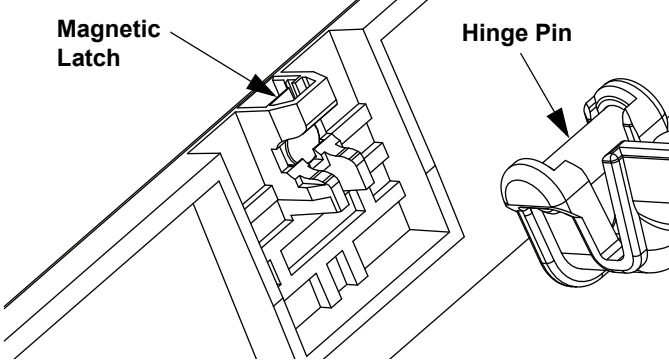
Cover

Screws

Install the managers to the rack with #12-24x1" screws provided. Install the cover to the manager by positioning the magnetic latches near the hinge pins of the manager. PR2HF1(WH) is installed with only 2 screws.

Note: The recommended assembly torque shall be 9.0+/-1 in-lb. for #12-24 screws.



Magnetic Latch

Hinge Pin

Close up of Magnetic Latch and Hinge Pin (4) Places

To open the cover downwards, pull out and down on the middle of the cover top. To open cover upwards, pull out and up on the middle of the cover bottom. To remove the cover completely, pull straight out on both ends of the cover simultaneously.

The *PATCHRUNNER 2* cable manager is recommended for use with Panduit 24 or 48 port high density patch panels and/or switches mounted above and below the manager.

When routing the cables from a patch panel or switch, either of the following two methods are recommended to help maintain the cable bend radius.

METHOD 1: For each row of 24 ports, place cables in groups of four between the fingers. Route half the cables through each end of the manager.

METHOD 2: For each row of 24 ports, place cables in groups of four between the fingers. Route all the cables through one end of the manager.

