

Fiche produit

Article n° 02.123.7121.0

contact femelle 0,75-1 QMM



Article n°	02.123.7121.0
EAN	4015573053359
Unité de commande	200 Piece(s)

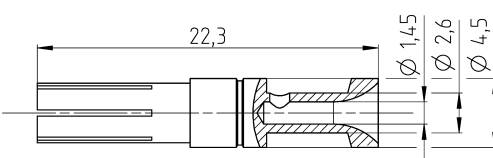

certificats/approbations

Données techniques

général

Model	raccordement bus
longueur de fil	7 mm
section du conducteur souple Min.	0,75 mm ²
section du conducteur souple Max.	1 mm ²
diamètre Min. du câble souple UL/CSA	18 AWG
diamètre Max. du câble souple UL/CSA	18 AWG
Type de connexion	Crimp
matériel	Laiton
Contact Massif	Oui
Diamètre du contact	2,5 mm
Surface	Etamé
classe d'inflammabilité des matériaux d'isolation selon la norme UL94	Autre
Résistance de contact	≤ 1,5 mOhm

Dessin technique

<p>1000 100 10 1</p> <p>1000 100 10 1</p> <p>1000 100 10 1</p> <p>1000 100 10 1</p>		 <p>1:1</p>	<p>VPE: 200 packaging unit: 200</p> <table border="1" style="width: 100%; border-collapse: collapse; font-size: 8px;"> <tr> <th style="text-align: left;">Teilenummer part number</th> <th style="text-align: left;">Oberfläche surface</th> </tr> <tr> <td>02.123.7101.0</td> <td>vergolde/ gold-plated</td> </tr> <tr> <td>02.123.7101.7</td> <td>versilbert/ silver-plated</td> </tr> <tr> <td>02.123.7102.0</td> <td>versilbert/ silver-plated</td> </tr> <tr> <td>02.123.7121.0</td> <td>verzinkt/ tin-plated</td> </tr> </table> <p>Weitere Daten siehe KATALOG oder eKatalog additional data see CATALOG or eCATALOG</p> <p>www.wieland-electric.com eshop.wieland-electric.com</p> <p style="font-size: 6px;">Tolerierung Size ISO 14405 © / Tolerance system Size ISO 14405 ©. jstyes <input checked="" type="checkbox"/> Stoffverfalls- und Deklarationsliste nach DIN 54001:010 ist enthalten. (This ISO-standard describes the envelope principle. According to the envelope principle the deviations of form and parallelism are limited by the size tolerances.) (Conformity with Wieland document NW 5020:010 e (list of prohibited / degradable hazardous substances) to be declared)</p> <p style="font-size: 6px;">Freitoleranz nach General tolerance <input checked="" type="checkbox"/> AD - Zeichnung, keine manuellen Änderungen allowed <input type="checkbox"/> Verwendung <input type="checkbox"/> Blatt: 1 von 1 ISO - drawing, no manual modifications allowed first use Sheet 1 of 1</p> <table border="1" style="width: 100%; border-collapse: collapse; font-size: 6px;"> <tr> <td style="width: 10%;"></td> <td style="width: 10%;"></td> <td style="width: 10%;">Werkstoff / Material</td> <td style="width: 10%;">Legende</td> <td style="width: 10%;">Name</td> <td style="width: 10%;">Zeichnung Nr. / Drawing No.</td> <td style="width: 10%;">Index</td> </tr> <tr> <td></td> <td></td> <td></td> <td></td> <td></td> <td>T 02.123.7101.0 13K</td> <td></td> </tr> <tr> <td></td> <td></td> <td></td> <td></td> <td></td> <td colspan="2" style="text-align: center;">Maße in mm / Dimensions are in mm</td> </tr> <tr> <td></td> <td></td> <td></td> <td></td> <td></td> <td colspan="2" style="text-align: center;"> BUCHSENKONTAKT female clamp body 1,0qmm </td> </tr> </table> <p style="font-size: 6px;"> REVOS www.wieland-electric.com </p>	Teilenummer part number	Oberfläche surface	02.123.7101.0	vergolde/ gold-plated	02.123.7101.7	versilbert/ silver-plated	02.123.7102.0	versilbert/ silver-plated	02.123.7121.0	verzinkt/ tin-plated			Werkstoff / Material	Legende	Name	Zeichnung Nr. / Drawing No.	Index						T 02.123.7101.0 13K							Maße in mm / Dimensions are in mm							BUCHSENKONTAKT female clamp body 1,0qmm	
Teilenummer part number	Oberfläche surface																																								
02.123.7101.0	vergolde/ gold-plated																																								
02.123.7101.7	versilbert/ silver-plated																																								
02.123.7102.0	versilbert/ silver-plated																																								
02.123.7121.0	verzinkt/ tin-plated																																								
		Werkstoff / Material	Legende	Name	Zeichnung Nr. / Drawing No.	Index																																			
					T 02.123.7101.0 13K																																				
					Maße in mm / Dimensions are in mm																																				
					BUCHSENKONTAKT female clamp body 1,0qmm																																				
			6 QU-MEE-01/14 a																																						